



US0D1048866S

(12) **United States Design Patent**
Wang

(10) **Patent No.:** **US D1,048,866 S**

(45) **Date of Patent:** **** Oct. 29, 2024**

(54) **HOOK**

(71) Applicant: **NINGBO HAORUI AUTO PARTS CO., LTD**, Zhejiang (CN)

(72) Inventor: **Qianqian Wang**, Zhejiang (CN)

(73) Assignee: **NINGBO HAORUI AUTO PARTS CO., LTD**, Ningbo (CN)

(**) Term: **15 Years**

(21) Appl. No.: **29/849,260**

(22) Filed: **Aug. 9, 2022**

(30) **Foreign Application Priority Data**

Mar. 9, 2022 (CN) 202230117654.8

(51) **LOC (14) Cl.** **08-11**

(52) **U.S. Cl.**
USPC **D8/367**

(58) **Field of Classification Search**

USPC D8/105, 349, 354, 356, 367, 373, 395;
D6/323; 248/301-304, 339; D3/207;
D34/35; D12/162
CPC . A47G 1/00; A47G 25/00; A47G 1/17; A47G
29/083; A47H 1/142; F16B 47/003; F16B
2/248; E04H 17/124

See application file for complete search history.

(56) **References Cited**

U.S. PATENT DOCUMENTS

D259,540 S * 6/1981 Svensson D8/367
D502,089 S * 2/2005 Hung D8/367

D556,550 S * 12/2007 Hung D8/367
D699,098 S * 2/2014 Fretz D8/367
D765,497 S * 9/2016 Petzl D8/367
D770,250 S * 11/2016 Fischer D8/17
D778,144 S * 2/2017 Anderson D8/367
D794,516 S * 8/2017 Siegel D12/162
D832,156 S * 10/2018 Johns D12/162
D893,122 S * 8/2020 Saeger 34/356
D964,152 S * 9/2022 Yu D8/356
D970,332 S * 11/2022 Xiaomeng D8/367
D991,015 S * 7/2023 Tao D8/367

* cited by examiner

Primary Examiner — Katie Jane Stofko

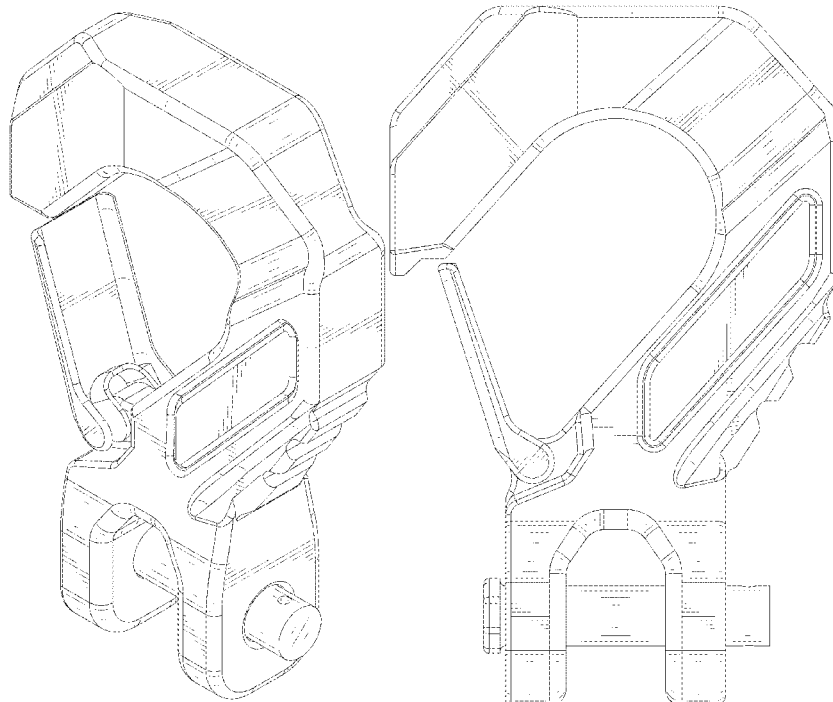
(57) **CLAIM**

The ornamental design for a hook as shown and described.

DESCRIPTION

FIG. 1 is a top, front and right side perspective view of a hook showing my new design;
FIG. 2 is a bottom, rear and left side perspective view thereof;
FIG. 3 is a top, front and left side perspective view thereof;
FIG. 4 is a front elevational view thereof;
FIG. 5 is a rear elevational view thereof;
FIG. 6 is a left side view thereof;
FIG. 7 is a right side view thereof;
FIG. 8 is a top plan view thereof; and,
FIG. 9 is a bottom plan view thereof.

1 Claim, 9 Drawing Sheets



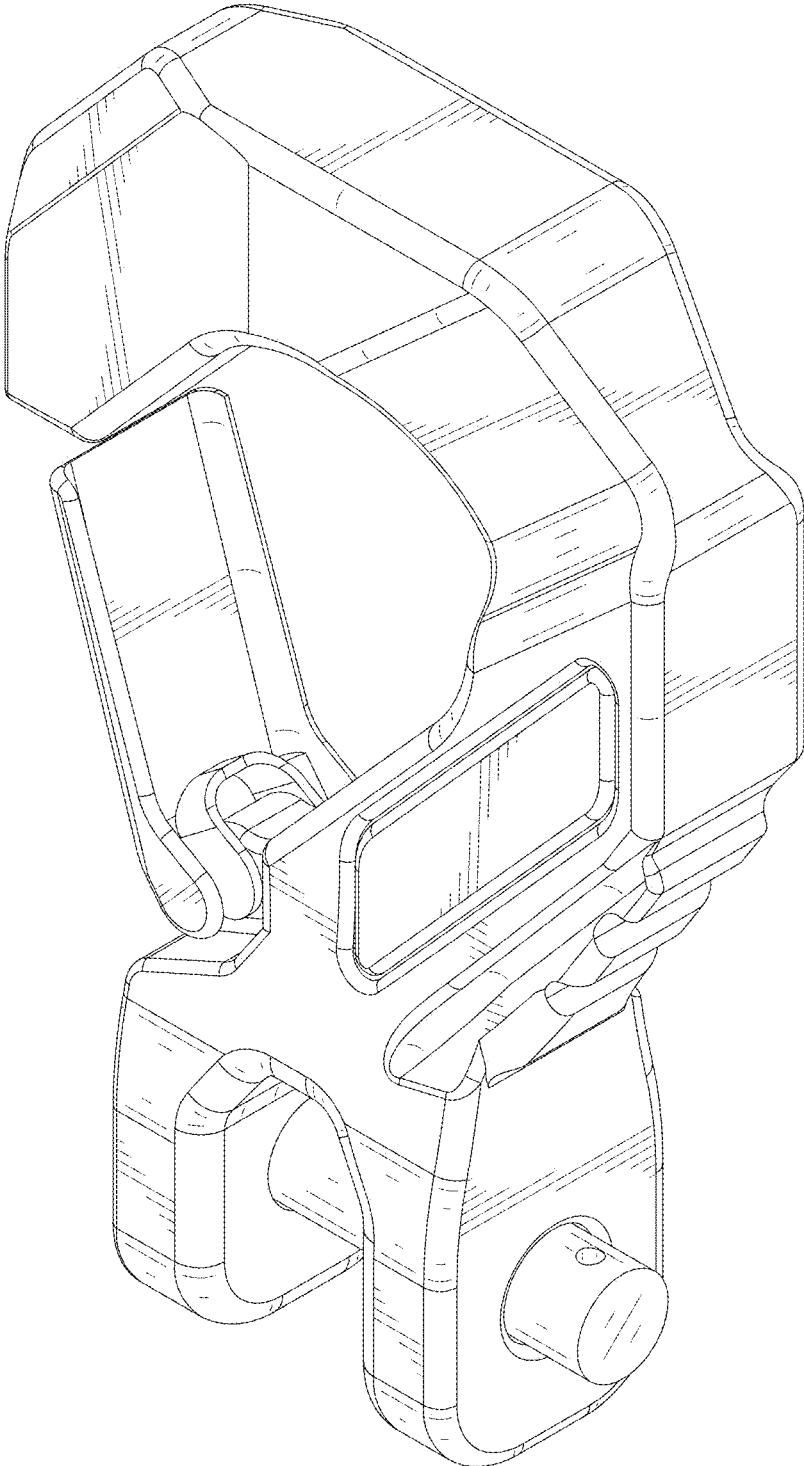


FIG.1

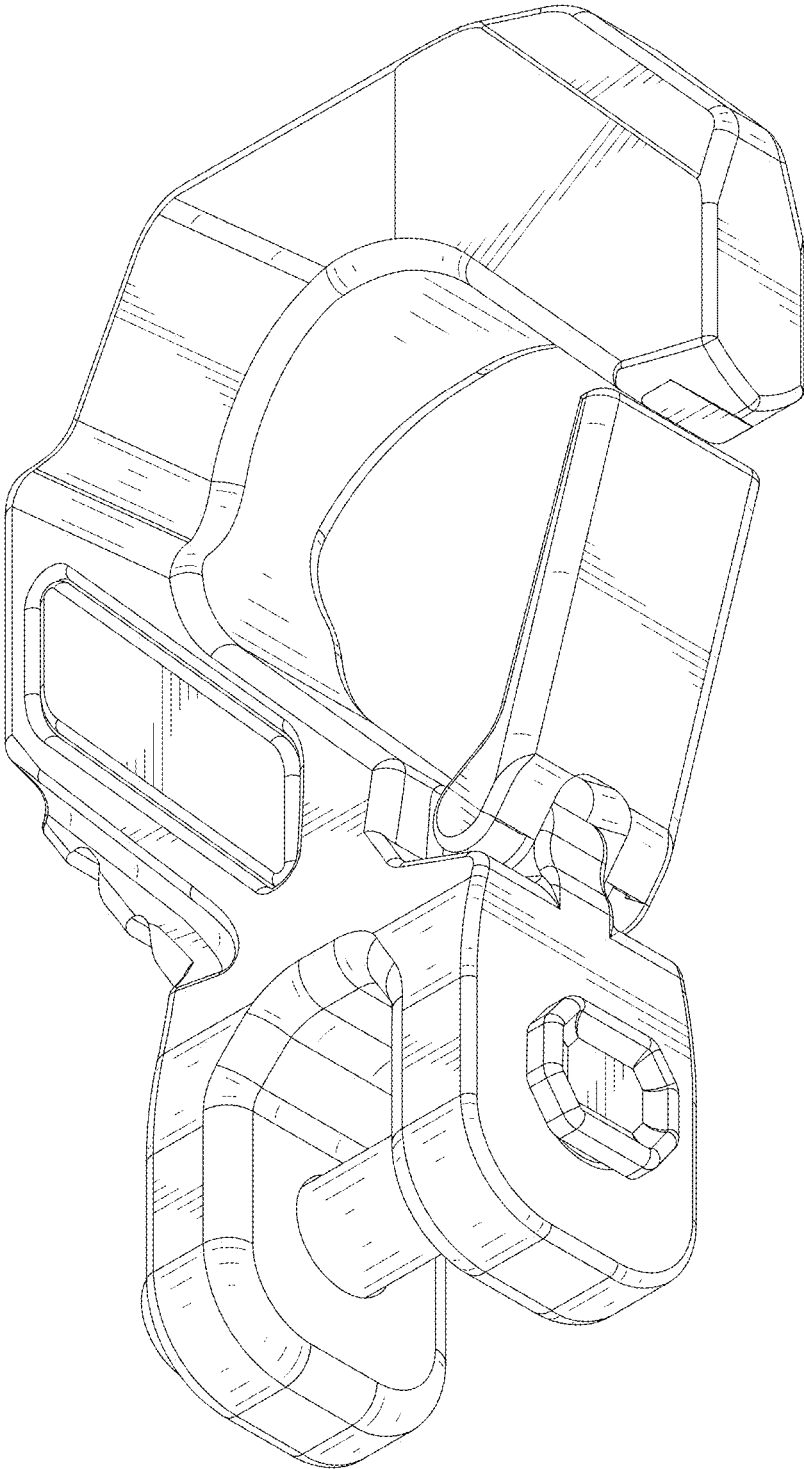


FIG.2

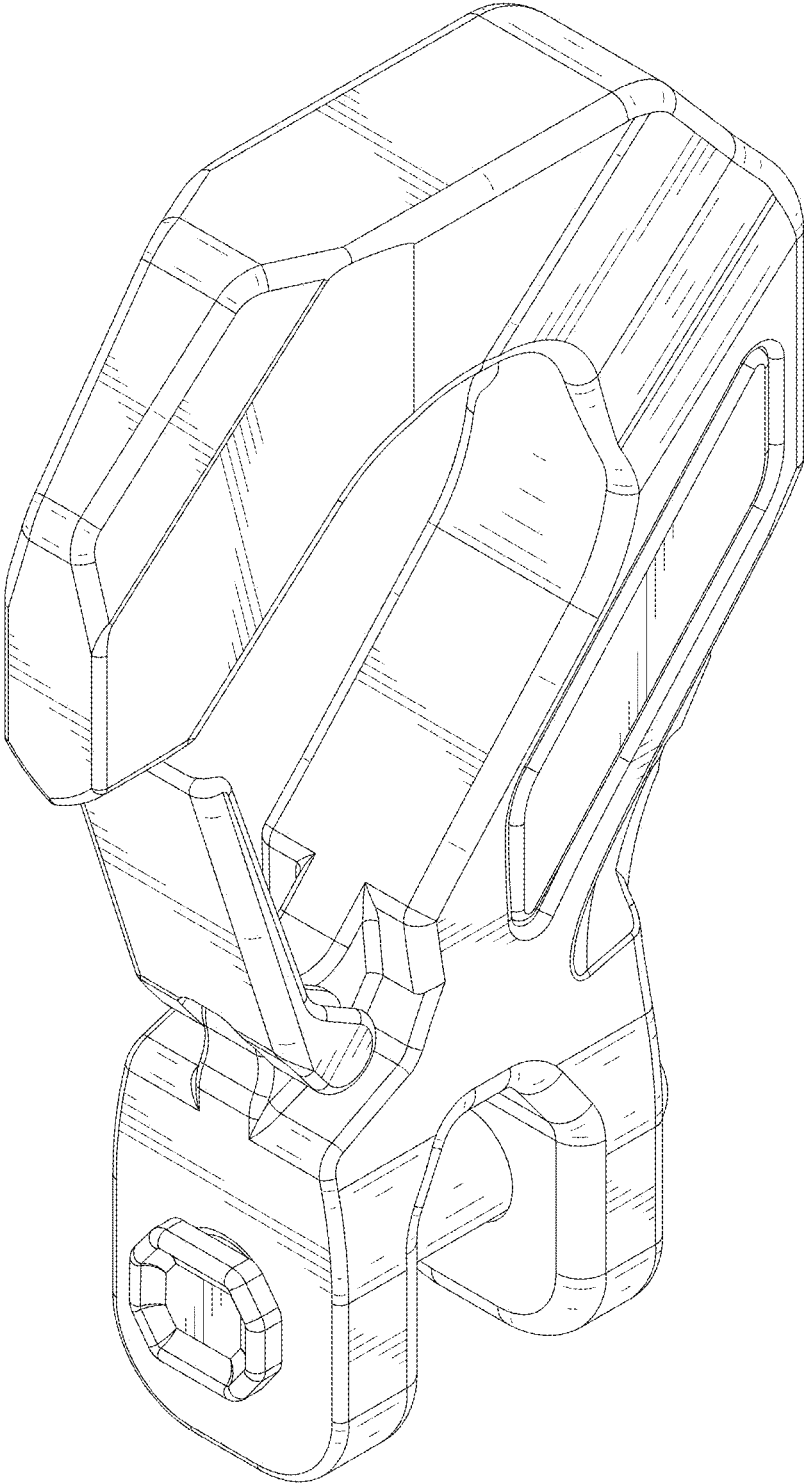


FIG.3

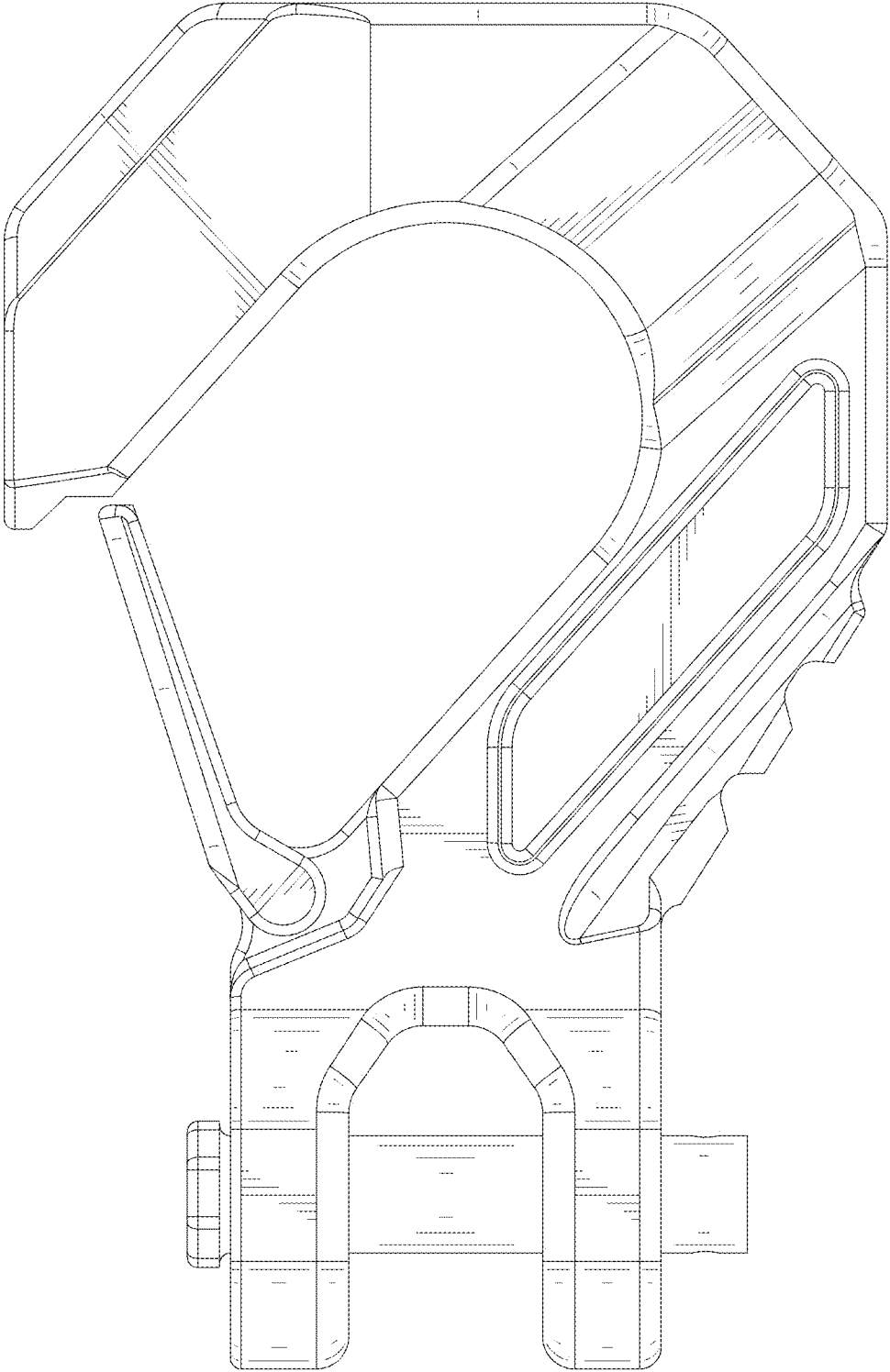


FIG.4

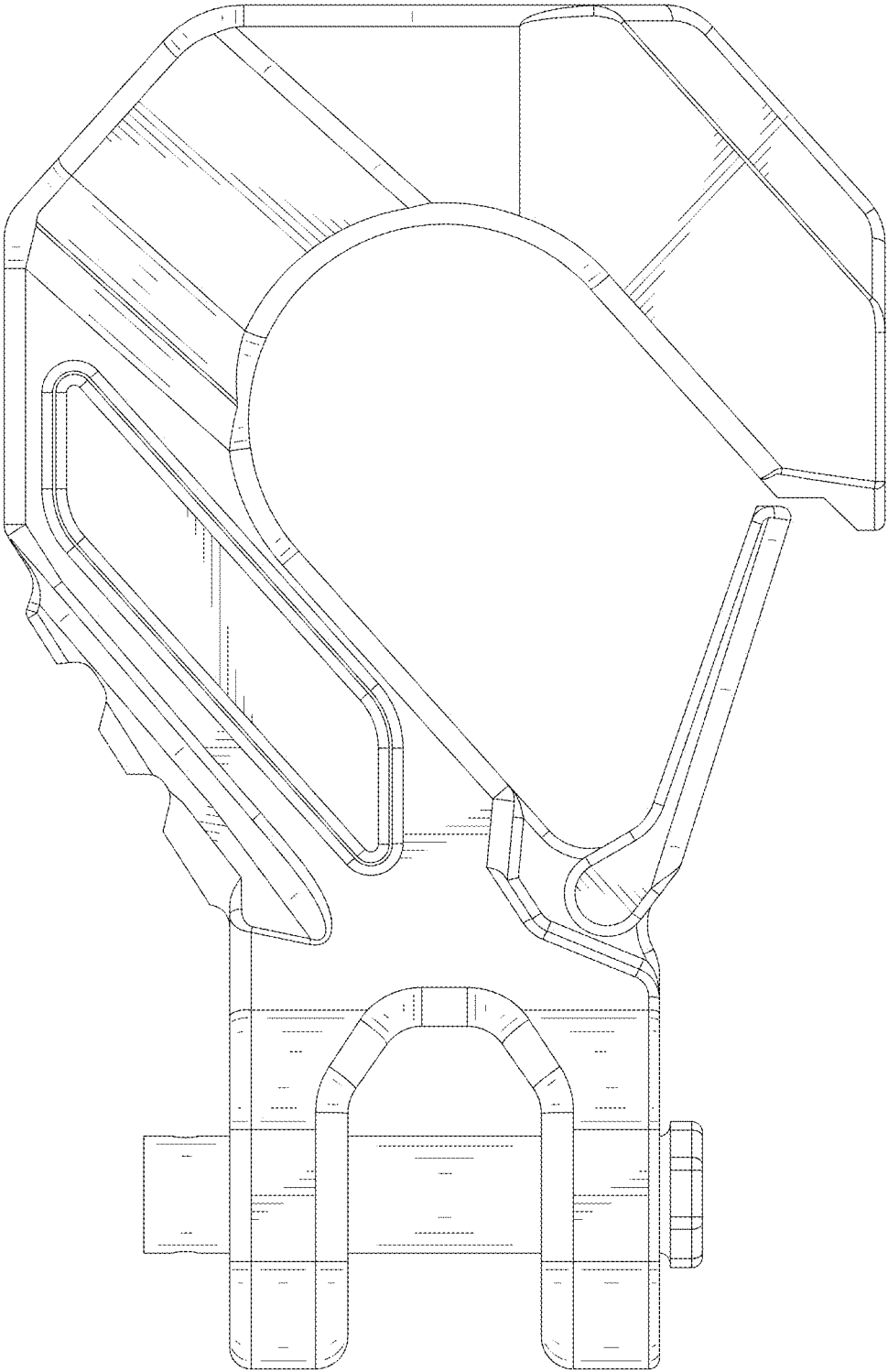


FIG.5

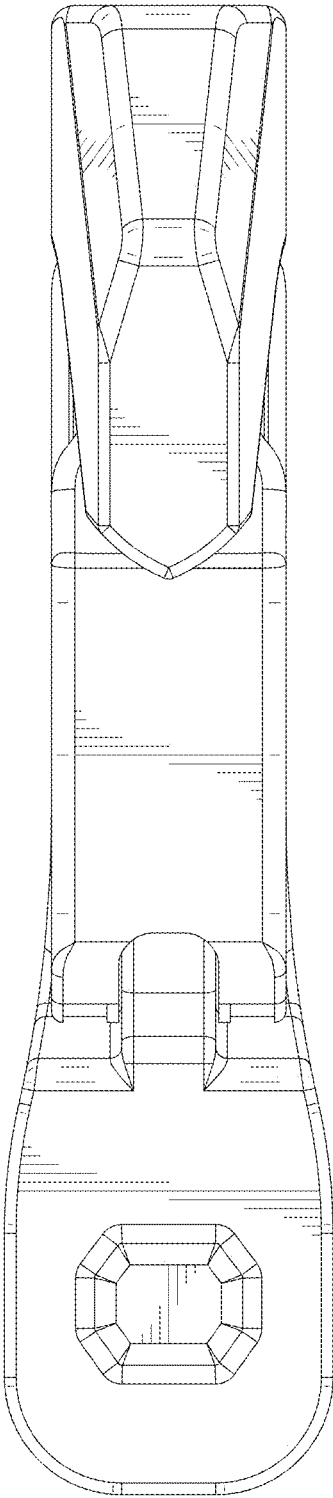


FIG.6

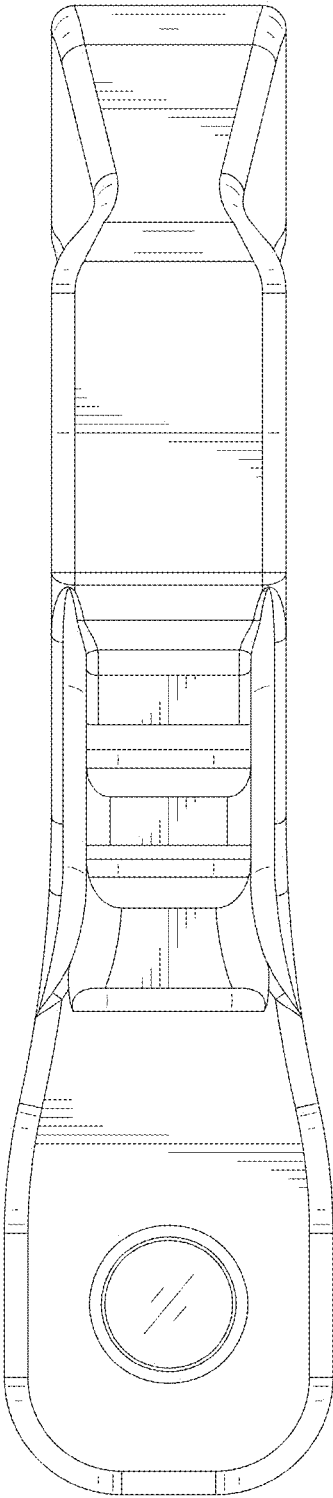


FIG.7

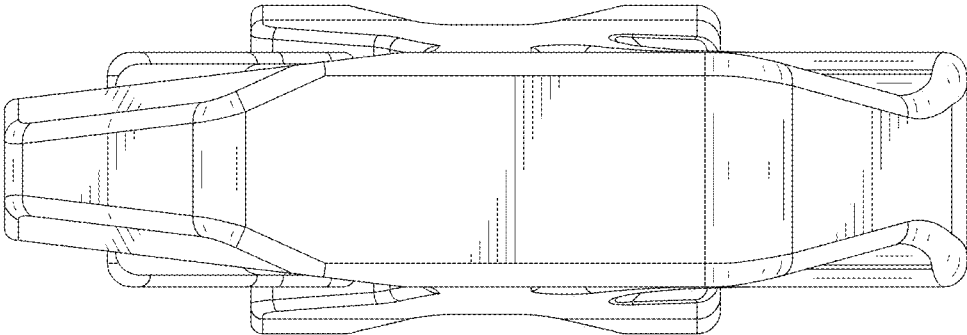


FIG.8

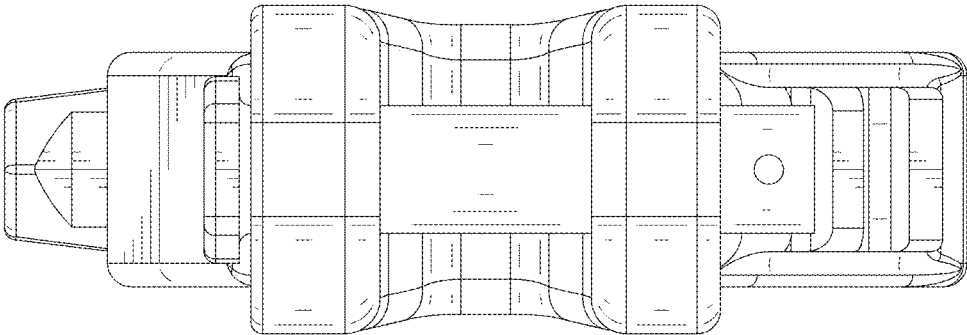


FIG.9