



(72) MAKANSI, MUNZER, US

(71) GEORGIA TECH RESEARCH CORPORATION, US

(51) Int.Cl.⁶ D04H 3/00, D03D 1/00

(30) 1996/12/31 (08/777,821) US

(54) **IMAGES D'ARC-EN-CIEL ET D'HOLOGRAMME SUR TISSU**

(54) **RAINBOW AND HOLOGRAM IMAGES ON FABRICS**

(57) L'invention concerne une feuille fibreuse comprenant une surface extérieure à éléments fibreux embossés avec un motif de sillons fins, disposés pratiquement en alignement d'un élément fibreux à un autre. Le motif de sillons fins est directement embossé à la surface de la feuille fibreuse et produit des images d'arc-en-ciel et/ou d'hologrammes lorsqu'on l'expose à la lumière. Par contre, dans l'état actuel de la technique, il faut, pour produire ce type d'images, stratifier le tissu avec des pellicules plastiques ou métalliques comprenant des motifs de sillons pré-embossés. Les feuilles et les tissus de la présente invention sont exempts de telles pellicules imperméables et gardent un pouvoir respirant souhaitable, ainsi que d'autres qualités esthétiques.

(57) A fibrous sheet is provided with an outer surface having fibrous elements which are embossed with a pattern of fine grooves that are substantially aligned from fibrous element to fibrous element. The pattern of fine grooves is embossed directly on the surface of the fibrous sheet and produces rainbow and/or hologram images on exposure to light. In contrast, prior fabrics for producing rainbow or hologram images were laminated to plastic or metal foils having pre-embossed patterns of grooves. Sheets and fabrics of the present invention are free from such impermeable foils and retain desirable attributes of breathability and other aesthetic qualities.

PCTWORLD INTELLECTUAL PROPERTY ORGANIZATION
International Bureau

INTERNATIONAL APPLICATION PUBLISHED UNDER THE PATENT COOPERATION TREATY (PCT)

(51) International Patent Classification ⁶ : D04H 3/00, D03D 1/00	A1	(11) International Publication Number: WO 98/29592 (43) International Publication Date: 9 July 1998 (09.07.98)
(21) International Application Number: PCT/US97/23961 (22) International Filing Date: 22 December 1997 (22.12.97) (30) Priority Data: 08/777,821 31 December 1996 (31.12.96) US (71) Applicant: GEORGIA TECH RESEARCH CORPORATION [US/US]; 400 Tenth Street, Atlanta, GA 30332-0415 (US). (72) Inventor: MAKANSI, Munzer; 106 Stratford Way, Signal Mountain, TN 37377 (US). (74) Agent: DEVEAU, Todd; Deveau, Colton & Marquis, Two Midtown Plaza, Suite 1400, 1360 Peachtree Street, N.E., Atlanta, GA 30309-3209 (US).		(81) Designated States: AU, CA, JP, KR, MX, European patent (AT, BE, CH, DE, DK, ES, FI, FR, GB, GR, IE, IT, LU, MC, NL, PT, SE). Published <i>With international search report.</i>
(54) Title: RAINBOW AND HOLOGRAM IMAGES ON FABRICS		
(57) Abstract <p>A fibrous sheet is provided with an outer surface having fibrous elements which are embossed with a pattern of fine grooves that are substantially aligned from fibrous element to fibrous element. The pattern of fine grooves is embossed directly on the surface of the fibrous sheet and produces rainbow and/or hologram images on exposure to light. In contrast, prior fabrics for producing rainbow or hologram images were laminated to plastic or metal foils having pre-embossed patterns of grooves. Sheets and fabrics of the present invention are free from such impermeable foils and retain desirable attributes of breathability and other aesthetic qualities.</p>		

RAINBOW AND HOLOGRAM IMAGES ON FABRICS**BACKGROUND OF THE INVENTION****Field of the invention**

This invention relates generally to sheets embossed with diffraction grating
5 and/or hologram patterns. More particularly, the invention concerns a fibrous sheet or
fabric whereon the diffraction grating and/or hologram pattern is embossed directly
on a surface of the fibrous sheet or fabric without affecting the flexibility and
breathability of the sheet or fabric.

Description of The Prior Art

10 Rainbow and hologram images have been produced by diffracting light from
patterns of very fine grooves on the surface of various plastic sheets or films. Such
patterns are mass-produced by embossing the plastic surface under heat and pressure
with a metal die (or "stamper") having in its face the desired pattern in relief.

Known methods for producing hologram images on fabrics generally are
15 rather complicated and detrimentally affect certain properties of the fabrics. For
example, U. S. Patent 4,956,040 discloses a method in which a precut foil having a
hologram pattern embossed on its surface is laminated between a clear polyester
coating and an adhesive scrim backing to form a laminate which is then adhered to a
woven fabric. International Patent Application WO 91/12365 discloses forming a
20 laminate of an outer metal foil bearing a holographic image, a middle layer of plastic
size and a lower layer of fabric. These two disclosures are typical of the many
methods involving production of a hologram pattern on a plastic film or metal foil
layer which is laminated to the surface of a fabric. Although such processes can
provide strong holographic images, the portions of the fabric that are covered with the
25 film or foil lose the breathability, flexibility and surface tactile aesthetics of the
original fabric without the film or foil.

International Patent Application WO 89/01063 and Japanese Patent
Publication SHO 63-309639 disclose embossing a hologram pattern on a thin plastic
film, slitting the film into long ribbons of 1 to 20 mm width, forming the ribbons into
30 yarns and then making a fabric of the ribbons. However, fabrics made with such
yarns are limited to localized glitter color effects and cannot produce large scale

rainbow or hologram images. Further, the dimensions of the slit-ribbon yarns are usually too large for the ribbons to be used in apparel fabrics. For apparel fabrics, fiber diameter typically is in the range of 0.001 to 0.1 mm.

In other methods aimed at providing hologram images on fabrics, series of
5 fine grooves are formed on individual filaments which are then formed into fabrics. For example, Japanese Patent SHO 62-170510 discloses simultaneously co-spinning two molten polymers into a filament and then dissolving one of the two polymer components to form fine grooves on the filament surface parallel to the axis of the filament. U. S. Patent 4,842,405 discloses another method in which the fine grooves
10 are cut in the surfaces of filaments with laser beams. Because these filaments typically are made into yarns by interlacing, crimping and/or twisting, the groove patterns are disrupted and fabrics made from such filament yarns provide only glitter points, not full rainbow or hologram images.

In summary, with regard to diffraction or hologram images on fabrics, the art
15 discloses how to produce either (a) large rainbow and hologram images on impermeable plastic films or metal foils which are laminated or stitched to the surface of the fabric, but with accompanying detrimental effects on the breathability and tactile aesthetics of the fabric or (b) fine, microscopic glitter points on fabrics made from filaments having fine longitudinal grooves without affecting other fabric
20 characteristics. Accordingly, an aim of the present invention is to provide a fibrous sheet or fabric having large rainbow and/or hologram images without incorporating an impermeable plastic or metal foil that would detrimentally affect the flexibility and breathability of the sheet or fabric.

SUMMARY OF THE INVENTION

25 The present invention provides a fibrous sheet having an outer surface comprising fibrous elements embossed with a multiplicity of fine diffraction grooves that are substantially aligned from fibrous element to fibrous element and form a pattern that produces rainbow and/or hologram images when the sheet is viewed at an angle to incident light. Preferably the fibrous elements are of thermoplastic synthetic
30 organic polymers, most preferably of polypropylene, polyethylene, polyester or nylon.

3

c:gaw\jj001489.pto

preparing a sheet of fibrous elements, (b) softening at least the fibrous elements on a surface of the sheet sufficiently to permit the fibrous elements on the sheet surface to be embossable under pressure with a pattern of fine diffraction grooves; (c) placing the sheet on a supporting surface; (d) bringing a hard embosser having a pattern of fine diffraction grooves thereon into direct contact with the surface of the fibrous sheet; (e) imposing sufficient load on the embosser for a sufficient time to impress the pattern of fine diffraction grooves into the surface of the fibrous elements on the surface of the sheet; (f) separating the sheet from the embosser; and (g) collecting the separated sheet. Preferably, the fibrous sheet is made of thermoplastic fibrous elements of synthetic organic polymer and the fibrous elements are softened by heat or a solvent for the polymer. The process does not detrimentally affect the breathability, flexibility and aesthetic attributes of the starting fibrous sheet

BRIEF DESCRIPTION OF THE DRAWINGS

The invention will be more readily understood by reference, to the drawings wherein:

Fig. 1 is an exploded schematic view of a preferred assembly of items for batch-embossing fibrous sheet 10, the items including a hard embosser 12 (also called a "stamper"), release sheets 13, 13', rubber sheets 14, 14', flat metal plates 15, 15', and platens 16, 16' of a platen press (not shown);

Fig. 2 is a schematic representation of a continuous embossing process similar to that in commercial use for embossing films, but also, with appropriate controls, particularly suitable for embossing, in accordance with the present invention, sheets or fabrics of fibrous elements made from thermoplastic polymers having relatively low melting-temperature (e.g., polyolefins) wherein sheet or fabric 21 is forwarded from feed roll 22, under idler roll 23, through a nip formed by rubber-covered roll 24 and hard embossing roll 25 to windup roll 26; and

Fig. 3 is a schematic representation of a continuous roll embossing process designed to provide higher heat transfer rates and to attain higher embossing temperatures wherein fibrous sheet 31 is forwarded from feed roll 32 into thermally

SUBSTITUTE SHEET 3

AMENDED SHEET

c:gaw\jj001489.pto

4

insulated chamber 39 and then successively into contact with the surface of heated rolls 33, 33' and 33", and heated embossing roll 37 and then to windup roll 38, sheet 31 being pressed against embossing 37 by rubber roll 35 through endless release-sheet belt 36 which proceeds around idler rolls 34 and 34'.

5 **DETAILED DESCRIPTION OF PREFERRED EMBODIMENTS**

The meanings of various terms used herein are as follows.

The term "fibrous sheet" means a knit, woven, spunbonded, spunlaced, stitchbonded, or felted fabric, or the like.

10 The term "fibrous element" means any fiber, filament, thread, yarn microfiber, fibril or the like of natural or synthetic polymer.

15 The term "fine grooves" means parallel grooves or segments of parallel grooves that are spaced apart uniformly by about 0.1 to 10 micrometers (microns) and are at least 0.01 micron deep. The presence of groups of such grooves on a solid surface produces light diffraction patterns. Groups of straight, parallel fine grooves, also known as "diffraction gratings", produce rainbow colors, referred to hereinafter as "rainbow images". Clusters of parallel fine groove segments having straight, curved or wavy configurations produce hologram images.

20 The present invention provides a fibrous sheet having patterns of fine grooves on a surface of the sheet. The patterns of grooves produce rainbow or hologram images that are visible to the naked eye when the sheet surface is viewed at an angle to incident sunlight or incandescent light. The patterns of fine grooves or clusters of groove segments embossed on the individual fibrous elements of the surface of the fibrous sheet continue to neighboring fibrous elements substantially in phase such that the distance between the last groove on one fibrous element and the first groove on
25 the neighboring fibrous element is a multiple of the groove width. Distinct rainbow or hologram images with good color, clarity and resolution are thereby produced.

30

SUBSTITUTE SHEET 4

AMENDED SHEET

PCT/US 91/23961
IPEA/US 08 JAN 1999

c:gaw\jj001489.pto

4/1

The invention also provides a process for preparing a fibrous sheet that produces rainbow or hologram images without detrimentally affecting desirable attributes inherent in the sheet (e.g., breathability, flexibility, tactile aesthetics). In accordance with the preferred process of the invention, (a) a sheet of fibrous elements is softened by either heat or a chemical agent, depending on the nature of the fibrous

10

15

20

25

30

SUBSTITUTE SHEET 4A

AMENDED SHEET

elements; (b) the surface of the softened fibrous sheet is brought into contact with the surface of a hard embosser having a pattern of fine grooves in the surface; (c) sufficient pressure is applied to embosser to cause the groove pattern to be embossed into the surface of fibrous elements on the surface of the sheet and (d) then the sheet
5 is collected. Typically, the pressure is applied by the plates of a platen press or a pair of cooperating cylindrical rolls. The pressure is applied to the sheet for a time sufficient to emboss the embosser groove pattern to the surface of the outermost fibrous elements of the fibrous sheet. To assure accurate transfer of the micron groove pattern of the embosser to the fibrous sheet, the embossing pressure is applied
10 uniformly over the affected area of the sheet and stretching of the sheet is avoided when the sheet is removed from the embossing equipment.

The accurate transfer of the fine groove pattern to the fibrous sheet can be accomplished conveniently with a platen press, as illustrated in Fig. 1. In accordance with this method, a fibrous sheet 10 and an embossing stamper 12 are placed between
15 two release sheets 13, 13' of a dimensionally and thermally stable material (e.g., ARMALON®, a TEFLON®-perfluoroethylene coated glass fabric) to form a first assembly. The first assembly is then placed between two heat resistant soft rubber sheets 14, 14' (e.g., of VITON® or silicone rubber) to form a second assembly. The second assembly is then placed between two flat plates 15, 15' of sheet metal to form
20 a composite sandwich. The composite sandwich is then placed between platens 16, 16' in a flat platen press that was preheated to a desired temperature. Pressure is then applied for a predetermined time, after which the sandwich is removed from the press and the embossed sheet structure is separated from the stamper.

For sheets comprising fibrous elements of thermoplastic polymers, such as
25 polyolefins, polyarnides and polyesters, the suitable temperature for the embossing is in a range between the softening temperature and the melting temperature of the fibrous material. At such a temperature, the embossed pattern of fine grooves can provide the fabric surface with a clear rainbow or hologram image. The intensity of the resultant image pattern is increased by more intense embossing conditions,
30 especially by increased pressure and temperature. However, at increasingly higher embossing temperatures there is a gradual increase in the tendency of the fibers to

deform, interlock and even bond together at crossover points, with an attendant reduction in fiber mobility, breathability, flexibility and tactile aesthetics. If excessive temperatures and pressure are employed, the fibrous elements can melt and the sheet can become an impermeable film. Note also that it is preferred that prior to embossing, the fibrous sheet should be scoured or washed free of materials such as spinning finish, size and gums used during fiber or fabric processing in order to avoid fouling of the embossing pattern of the stamper and the evolution of smoke at the embossing temperatures.

The optimum embossing conditions for a particular fabric or sheet can be determined without undue experimentation, through a simple series of short tests at different temperatures, pressures and embossing times, in the particular equipment that is to be used. The optimum embossing conditions are those that provide the best looking rainbow or holographic images without sacrificing the desirable properties of fabric breathability, flexibility and tactile aesthetics. Such a series of tests run with a platen press on the woven nylon fabric of Example 1 below showed optimum embossing conditions to be about 200 to 225°C, 1,275 to 2,585 KiloPascals (185 to 375 psi) for 3 to 5 minutes. Substantially the same optimum conditions were found for the other nylon fabrics and the polyester fabrics of the Examples below. A similar series of preliminary tests on the polyethylene spunbonded sheet of Example 8 below showed the optimum embossing conditions to be about 90 to 100°C, 208 to 448 KPa (30 to 65 psi) for about 3 minutes. Example 12 showed that for a warp-knit polypropylene fabric in a continuous embossing process operating at a linear throughput of about 3 cm/minute, satisfactory results could be obtained at temperatures in the range of 135 to 150°C, with pressures of at least 1,310 KPa (190 psi). Typically, the intensity of the diffraction pattern, produced under optimum conditions is not as bright as a similar pattern produced on film. However, the optimum pattern is clearly visible and has an attractive, relatively subdued brightness, which makes it more desirable for apparel end uses than the flashy patterns typically produced on films.

For fibrous sheets made from fibrous elements that are not thermoplastic, such, as cotton, nylon, cellulose or the like, prior to embossing, the sheet can be

PCT/US 97/23961
IPEA/US 08 JAN 1999

c:gaw\jj001489.pto

7

softened by treatment with a chemical softening agent, such as a swelling agent, plasticizer or partial solvent for the fibrous elements. After softening of the fibrous elements at the surface of the sheet, the fibrous sheet can be subjected to embossing under pressure in a manner substantially similar to that described for embossing sheets formed with thermoplastic elements. However, embossing or drying temperatures that are higher than the boiling temperature of the softening agent are avoided to prevent bubble formation.

In addition to the batch or stepwise process and equipment described above with regard to Fig. 1, the process of the invention also can be performed in a continuous manner with roll embossing equipment, as illustrated in Figs. 2 and 3. The equipment of Fig. 2 is more suitable for high production rates on a commercial scale and is particularly suited for embossing sheets or fabrics of fibrous elements made from thermoplastic polymers having relatively low melting temperatures (e.g., polyolefins). As illustrated in Fig. 2, a sheet or fabric 21 of thermoplastic fibrous elements, is advanced from a supply roll 22, under idler roll 23, through a nip formed by rubber-sheathed back-up roll 24 and heated metallic embossing roll 25, and then to embossed sheet wind-up roll 26. This equipment can also be used with fabrics made from higher melting fibers such as polyamides and polyesters provided that the embossing roll temperature is raised sufficiently high and the roll speed is sufficiently reduced to improve heat transfer rate to the sheet surface in order to attain the desired softening temperature.

Fig. 3 depicts continuous process equipment more suited than the equipment of Fig. 2 for embossing diffraction patterns and hologram images on sheets or fabrics made from fibrous elements of polymers with relatively high melting temperatures (e.g., polyamides, polyesters). The equipment of Fig. 3 also permits higher speed embossing. As depicted in Fig. 3, fibrous sheet 31 is advanced from supply roll 32 over a set of heated idler rolls 33, 33' and 33" to heated metallic embossing roll 37 and then to embossed product wind-up roll 38. The heated rolls are designed to provide larger wrap angles and contact areas (as compared to the rolls of the equipment of Fig. 2) with a minimum of non-heated space in between the rolls. Rubber-sheathed roll 35

SUBSTITUTE SHEET 7

AMENDED SHEET

1/15 7 17 23 96
IPEA/US 08 JAN 1999

c:gaw\jj001489.pto

7/1

transmits pressure against embossing roll 37 through endless

5

10

15

20

25

30

SUBSTITUTE SHEET 7A

AMENDED SHEET

PCT/US 97/23961
IPEA/US 00 JAN 1999

c:gaw\jj001489.pto

8

belt 36 made of a release material (e.g., ARMALON®) which runs around roll 35 and idler rolls 34 and 34'. To further improve the heat transfer and raise the fabric embossing temperature more rapidly, the entire system of heated idler rolls, heated embossing roll rubber roll and release belt is enclosed in insulated chamber 39. 5
Optionally, the sheet surface to be embossed, can be further heated by radiant heaters (not shown) located between idler roll 33" and embossing roll 37.

As noted above, breathability, flexibility and tactile aesthetic properties of the fibrous sheet are substantially unaffected when a pattern of fine grooves is embossed in the surface of the fibrous sheet in accordance with the process of the invention. Some 10
flattening of the embossed surface of the fibrous elements and some reduction in sheet thickness usually accompany the embossing, but negligible bonding occurs at fibrous element cross-over points.

In applying a fine-groove embossing pattern to a fabric according to the invention, the relative direction of the grooves and the filaments in the fabric has little 15
effect on the resultant images. Substantially the same effect is obtained if the fine grooves are parallel perpendicular, or at an angle to the filament axis. Also, the visibility of the rainbow and hologram images are substantially the same whether the fabric is wet or dry. Further, substantially the same quality of rainbow and hologram 20
images can be obtained with fabrics in which the filaments are twisted, interlaced, cut, continuous, oriented, ordered or random or of round or other cross sections. However, for maintenance of the integrity of the embossed patterns, sheets or fabrics having embossed surfaces of high dimensional stability such as woven fabrics or fabrics containing pattern or point bonding are highly desirable. Also, the fine groove 25
patterns can be embossed on fibrous sheets of different colors, which contain conventional dyes, pigments or printed surface decoration, thereby adding dynamic colors and holographic images to the visual aesthetics of such sheets.

PCT/US 97/23961
IPEA/US 08 JAN 1999

c:gaw\jj001489.pto

4/1

The rainbow and holographic images produced by the embossed pattern of fine grooves are best seen under the bright sunlight or bright incandescent lights. Accordingly, embossed sheets and fabrics of the invention are particularly suited for outdoor end uses, on stage, or in any other well lighted environment. Fibrous sheets and fabrics of the invention can be used in upholstery, decorative fabrics or papers, draperies, carpets, luggage, clothing, sportswear, stage costumes, boat sails,

10

15

20

25

30

SUBSTITUTE SHEET 8A

AMENDED SHEET

parachutes, and the like.

EXAMPLES

The following examples illustrate the invention with the embossing of fine groove patterns on the surfaces of various woven, knit and nonwoven fabrics to produce rainbow or holographic images. Each of fabrics of the examples are made with thermoplastic fibers of nylon, polyester, polypropylene or polyethylene. Except for Example 12, each example employed an assembly of the type depicted in Fig. 1 to emboss the fabric.

EXAMPLE 1

In this example, a rainbow image is produced on the surface of a woven nylon fabric by embossing the fabric with a diffraction grating in a heated platen.

A 109-g/m² oxford fabric, woven with 25 by 20 ends per cm from 220-decitetex, 34-filament yarn the filaments being of circular cross-section and formed of bright nylon 66, was scoured, dried and ironed to remove any finish and size. A 19-cm-by-24-cm swatch of the fabric was then used as the fibrous sheet 10 of Fig. 1. A hard embosser 12 (i.e., "stamper") in the form of a 10-cm by-5-cm nickel sheet having a diffraction grating pattern on its embossing surface was employed. The diffraction grating consisted of parallel fine grooves spaced 1.3 micrometers apart. The stamper was placed, with the grooves in parallel orientation to the fabric weave, in the middle and on top of the fabric swatch. Release sheets 13 and 13' of the ARMALON® TEFLON® -coated glass fabric, 0.16-cm thick rubber sheets 14 and 14' and 0.16-cm-thick, 30-cm-long, 23-cm wide stainless steel plates 15 and 15', were arranged above and below the fibrous sheet and stamper as shown in Fig. 1. The resulting assembly was placed in a 30-cm-by-30-cm Pasadena hydraulic platen press. The platens 16 and 16' were preheated to 215°C; the press was closed; and a load of 9600 kg was applied (corresponding to a pressure of 1350 KPa or 196 psi, based on the area enclosed by rigid stainless steel plates 15 and 15') for 3 minutes. The pressure was then released and the entire assembly removed from the press, placed on a table and allowed to cool under ambient conditions. After 3 minutes of cooling, the sandwich was separated into its component layers and the fabric was allowed to cool further to room temperature. Because a burning rubber smell was noted during the embossing,

PCT/US 97/23961
IPEA/US 08 JAN 1999

c:\gaw\jj001489.pto

indicating some degradation of the rubber sheets 14 and 14', all subsequent embossing Examples in which assemblies of the type shown in Fig. 1 were conducted with temperature resistant VITON® or silicone rubber sheets.

Examination of the embossed nylon fabric revealed that the surface area of the embossed region had become more shiny than the not embossed area of the swatch, but the embossed area apparently did not suffer any damage to the weave pattern or lose any pliability and gas permeability. When the embossed surface was viewed at an angle relative to incident light from the sun or from an incandescent lamp, shimmering rainbow images became visible in different areas of the fabric depending on the orientation of the specific fabric area relative to the incident light. These rainbow images extended to the length of the embossed area and could be rolled over the fabric by holding one end of the fabric with one hand and raising or lowering the other end.

The embossed swatch of woven nylon fabric was then washed and tumble dried in household laundering equipment and thereafter ironed with a hand iron on an ironing board. The resulting fabric continued to show the same rainbow images with the same intensity as before washing and ironing. The diffraction grating pattern embossed on the fabric was very stable. Scanning electron photomicrographs of a duplicate fabric sample prepared under identical conditions, showed the groove patterns on the filament surfaces in parallel orientation within and across the filaments in both the fill and the warp directions.

EXAMPLE 2

The demonstration of Example 1 was duplicated except that VITON® rubber instead of the ordinary rubber sheets were employed and a slightly lower press embossing temperature was used (212 vs. 215°C). Except for the elimination of the rubber-burning odor, the embossing results were the same as those obtained in Example 1. The embossed fabric was then subjected to a laboratory-scale beck-dyeing process along with a comparison fabric swatch that was not subjected to the embossing process. At the end of the dyeing procedure with acid blue 120 dye, the dried and ironed fabric swatches were compared visually. The embossed swatch was found to have retained its ability to produce rainbow images but had a somewhat

SUBSTITUTE SHEET 10

AMENDED SHEET

lighter dyed blue shade, both within and outside the embossed area, than the comparison swatch. Apparently, this effect resulted from the increased degree of crystallinity of the fiber polymer and reduced dye uptake, which were caused by the heat treatment of the fabric during the embossing.

5 **EXAMPLE 3**

In this example, a plain weave white fabric consisting of 34 by 39 ends per cm of fine decitex nylon 66 containing titanium dioxide delustrant and weighing 63 g/m² was embossed with the same stamper and under the same conditions as used in the preceding examples, but at a temperature of 214°C. The resulting embossed region of
10 the fabric also produced faint rainbow images upon exposure to the light from an incandescent lamp and strong rainbow images under sunlight.

EXAMPLE 4

In this example, a Carver press with electrically heated, 23-cm-by-23-cm platens was employed with the diffraction grating stamper of the preceding examples
15 to emboss a dyed-gray, heavy, nylon-66 twill fabric of 17-by-26 ends/cm weighing 233 g/m². The embossing was conducted at a temperature of 225°C with a load of 9800 kg. (corresponding to a pressure of 1835 KPa or 266 psi based on the area enclosed by rigid platens 16 and 16') for 3 minutes, followed by a cooling period of 3 minutes. Strong rainbow images were easily visible when the resultant embossed
20 fabric was viewed under an electric lamp or sunlight.

EXAMPLE 5

In this example, a turquoise-colored, ANTRON® NYLON/LYCRA® spandex, warp-knit swimwear fabric was embossed under the same conditions as were employed in Example 4. The fabric was knit with 19 wales/cm and 19
25 courses/cm and weighed 170 g/m². The fabric comprised 85% by weight of 44-dtex, 13-trilobal-filament, semi-dull nylon-66 yarn and 15% by weight of 44-dtex, coalesced-4-filament LYCRA® spandex yarn. The embossed fabric developed bright rainbow images, as in Example 4. Following a severe manual stretching and relaxation of the fabric in the diagonal directions, the intensity of the rainbow image
30 was diminished but not eliminated.

EXAMPLE 6

A woven, lightweight, white, polyester lining fabric having 41-by-28 ends/cm and weighing 50.5 g/ m^2 was embossed with the diffraction grating pattern of the preceding Examples in the Carver press at a temperature of 200°C under a load of
5 16,350 kg. (corresponding to a pressure of 3060 KPa or 444 psi). Upon release of the load, the fabric was immediately removed from the embossing assembly and then allowed to cool freely. The resultant embossed fabric exhibited rainbow images similar to those exhibited by the nylon fabrics of Examples 1-4.

EXAMPLE 7

10 A white satin Monice polyester fabric weighing 130 g/ m^2 and having one face with long floats and 19-by-25 ends/cm and a back face (the satin side) with 33-by-28 ends/cm, was embossed with the diffraction grating stamper of the preceding examples under the same conditions as employed in Example 6. The fine grooves of the stamper were parallel to the long floats. The resultant embossed portions of the
15 fabric exhibited rainbow images when subjected to the light from an incandescent lamp.

EXAMPLE 8

A swatch of 45.4-g/m^2 TYVEK® spunbonded olefin, a nonwoven sheet formed of randomly deposited plexifilamentary strands of polyethylene film fibrils
20 was cut from a disposable uniform. The nonwoven polyethylene sheet sample was embossed in an assembly of the type shown in Fig. 1 between the platens of the Carver Press (described in Example 4) at a temperature of 90°C and under a load of 2273 Kg (corresponding to a pressure of about 427 KPa or 62 psi) for 3 minutes. Rainbow images were visible in the embossed area of the sheet when the sheet was
25 viewed at an angle to incident incandescent light or sunlight. Scanning electron photomicrographs of the embossed surface area showed faint fine grooves of the diffraction pattern on the randomly distributed plexifilamentary stands of the TYVFK® fabric.

EXAMPLE 9

30 In, this Example, the diffraction grating sample of the preceding Examples was replaced with a 16.5-cm-by-16.5-cm hologram stamper sheet containing nine 4.2-

cm-by-4.2-cm hologram features of different sports activities. The same white satin Monice polyester fabric as was used in Example 7 was also used in this example. An assembly of the type depicted in Fig. 1 containing the fabric and the hologram stamper was pressed in the Carver press (described in Example 4) at a temperature of 210°C under a load of 13,600 kg (corresponding to a pressure of 2516 KPa or 365 psi) for 3 minutes. The assembly was not allowed to cool before the fabric was separated from the assembly. The embossed area exhibited the colored hologram images of the original hologram stamper when the embossed areas of the fabric were viewed at an angle to incident sunlight or light from an incandescent lamp. Just as in the stamper itself, the images were complete, continuous and uniform.

EXAMPLE 10

This example repeats Example 9, except that (a) the fabric being embossed was a red satin twill made from 220-decitetex nylon yarn, (b) the pressing temperature was 225°C and (c) the assembly was allowed to cool for three minutes before the embossed fabric was separated from the assembly. As in Example 9, the embossed fabric reproduced the hologram pictures of the of original embossing stamper. The hologram images from the embossed fabric surface were complete and continuous when viewed at an angle to incident light from an incandescent lamp or sunlight.

EXAMPLE 11

In this example, a parachute fabric weighing about 30 g/m² was embossed in an assembly similar to that depicted in Fig. 1 with the diffraction grating stamper in the Pasadena press of Example 1 at a temperature of 215°C under a platen load of 9545 kg (corresponding to a pressure of 1350 KPa or 196 psi) for 3 minutes. The fabric was made from, high tenacity, 33-dtex, 10-filament bright, nylon-66 yarns in a "rip-stop" square woven configuration with repeating cycles of 14 single ends/cm followed by two double ends and a total of 2.6 cycles/cm in both directions. The fabric was dimensionally stable (i.e., it was not stretchable). Even though the fabric was of very light weight and had a relatively open construction, the embossed fabric exhibited a clear, continuous rainbow image when the surface was viewed at an angle to incident sunlight or incandescent light.

EXAMPLE 12

This example illustrates the embossing of a warp-knit polypropylene fabric. The equipment employed was of the type depicted in Fig. 2. As noted below, with the particular equipment used, the embossing pressure in the nip of the rolls was insufficient to permit continuous embossing of the fabric at commercially desired speeds. However, the results did indicate how such a continuous run could be accomplished.

The particular fabric employed in this example was a 127-cm-wide, black, polypropylene, double-knit fabric with a "Ponta di Roma" construction. The fabric, which had 12.6 courses per cm and 6.3 wales/cm, weighed 205 g/m². Commercial continuous, 152-cm-wide roll embossing equipment of the type usually used for embossing holograms on plastic films, was employed. Initially an embossing test was run with a 180 degree fabric wrap angle on metallic embossing roll 25, and with the embossing roll operating at a surface temperature (measured with an infrared thermometer) of 135°C, which was very close to the 138°C softening point of the polypropylene yarns. Metal embossing roll 25 and rubber roll 24 (having a Shore A durometer hardness of 70) formed the nip through which fabric 21 passed at a linear speed of 60 cm/min, the minimum speed achievable with the equipment. The temperature of the fabric leaving the roll was 120°C. The embossing pressure on the nip formed by rolls 24 and 25 was set at the highest that could be achieved with the equipment. Under these conditions, with fibrous sheet speed at 60 cm/min, satisfactory embossing of the fabric was not achieved. However, under the same conditions of temperature and load, but with the fabric being allowed to remain in the nip between rolls 24 and 25 for 30 seconds, satisfactory embossing of the hologram pattern was obtained on the contact area in the nip. The width of the embossed contact area measured about 1.52 cm near the edge of the fabric and about 1.27 cm near the center of the fabric, indicating that the pressure was non-uniformly distributed across the entire width of the fabric. When these embossed areas were viewed at an angle to incandescent light or sun light a clear colorful hologram pattern was apparent. From the dimensions of these embossed areas and the load applied thereto, the pressure in the nip was calculated to be about 1288 KPa (187 psi) in the

c:gaw\jj001489.pto

15

show that a successful continuous process for embossing a hologram pattern on the polypropylene fabric of this example could be achieved at a speed of about 3 cm/minute with the temperatures and pressures employed in this example. Also, preheating of the fabric, higher temperatures (below the polymer melting temperature) and higher, more uniform nip pressures would be needed to perform continuous hologram embossing at higher speeds.

As can be seen from the proceeding discussion and examples, certain steps of the process can be performed simultaneously. For example, a sheet can be heat-softened and embossed at the same time. Also, the steps of the process need not be performed in the particular sequence described hereinabove in the Summary of the Invention or in the Detailed Description of Preferred Embodiments. For example, the surface fibers of the fibrous sheet may be softened after, rather than before, being placed on a hard surface in preparation for embossing. Similarly, the sheet may be brought into contact with the embosser before it is softened. Such changes in the sequence of steps do not substantially affect the resultant embossed product.

Many different embodiments of this invention may be made without departing from the spirit and scope of the invention. Therefore, the scope of the invention is not intended to be limited, except as indicated in the appended claims.

20

25

30

SUBSTITUTE SHEET 15

AMENDED SHEET

PCT/US 97/23961
IPEA/US 08 JAN 1999

c:gaw\jj001489.pto

16

I CLAIM:

1. A fibrous sheet having an outer surface comprising fibrous elements embossed with a multiplicity of fine grooves that are substantially aligned from fibrous element to fibrous element and form a pattern that produces rainbow and/or hologram images when the sheet is viewed at an angle to incident light, said grooves being spaced apart uniformly by about 0.1 to 10 microns, and being at least 0.01 micron deep, and said embossed patterns of fine grooves on the individual fibrous elements of the sheet surface continuing to neighboring fibrous elements substantially in phase, such that the distance between the last groove on one fibrous element and the first groove on the neighboring fibrous element is a multiple of the groove width.

2. A fibrous sheet according to claim 1 wherein the fibrous elements comprise thermoplastic organic polymers.

3. A fibrous sheet according to claim 2 wherein the thermoplastic polymer is polypropylene, polyethylene, polyester or nylon.

4. A fibrous sheet according to claim 3 wherein the sheet is a woven fabric.

5. A fibrous sheet according to claim 3 wherein the sheet is a knit fabric.

6. A fibrous sheet according to claim 2 wherein the sheet is a nonwoven fabric.

7. A fibrous sheet according to claim 6 wherein the nonwoven fabric is a spunbonded olefin sheet of plexifilamentary strands of polyethylene film fibrils.

8. A process for making a fibrous sheet that produces rainbow or hologram images, comprising the steps of

preparing a sheet of fibrous elements;

placing the sheet on a supporting surface;

bringing a hard embosser having a surface with a pattern of fine grooves thereon into direct contact with the surface of the fibrous sheet having the fibrous elements;

softening at least the fibrous elements on a surface of the sheet;

imposing sufficient load on the embosser for a sufficient time to impress the pattern of fine grooves into the surface of the fibrous elements on the surface of the sheet;

separating the sheet from the embosser; and

collecting the separated sheet.

SUBSTITUTE SHEET 16

AMENDED SHEET

PCT/AUS 97/23961
IPEA/US 08 JAN 1999

c:gaw\jj001489.pto

16/1

9. A process according to claim 8 wherein the fibrous elements comprise thermoplastic organic polymer and the fibrous elements are softened by heating the sheet surface to a temperature above the softening temperature of the polymer but below the melting temperature of the polymer.

5 10. A process according to claim 9 wherein the fibrous sheet is a woven fabric or knit fabric comprised of polypropylene, polyester or nylon yarns.

11. A process according to claim 9 wherein the fibrous sheet is a nonwoven fabric.

12. A process according to claim 11 wherein the nonwoven sheet is a spunbonded olefin sheet of plexifilamentary strands of polyethylene film fibrils.

10 13. A process according to claim 8 wherein softening of the fibrous elements is performed before the fibrous sheet is placed in contact with the embosser.

14. A process according to claim 8 wherein softening of the fibrous elements is performed while the fibrous sheet is in contact with the embosser.

15 15. A process according to claim 8 wherein softening of the fibrous elements is performed after the fibrous sheet is placed in contact with the embosser.

20

25

30

SUBSTITUTE SHEET 16A

AMENDED SHEET

FIG. 1

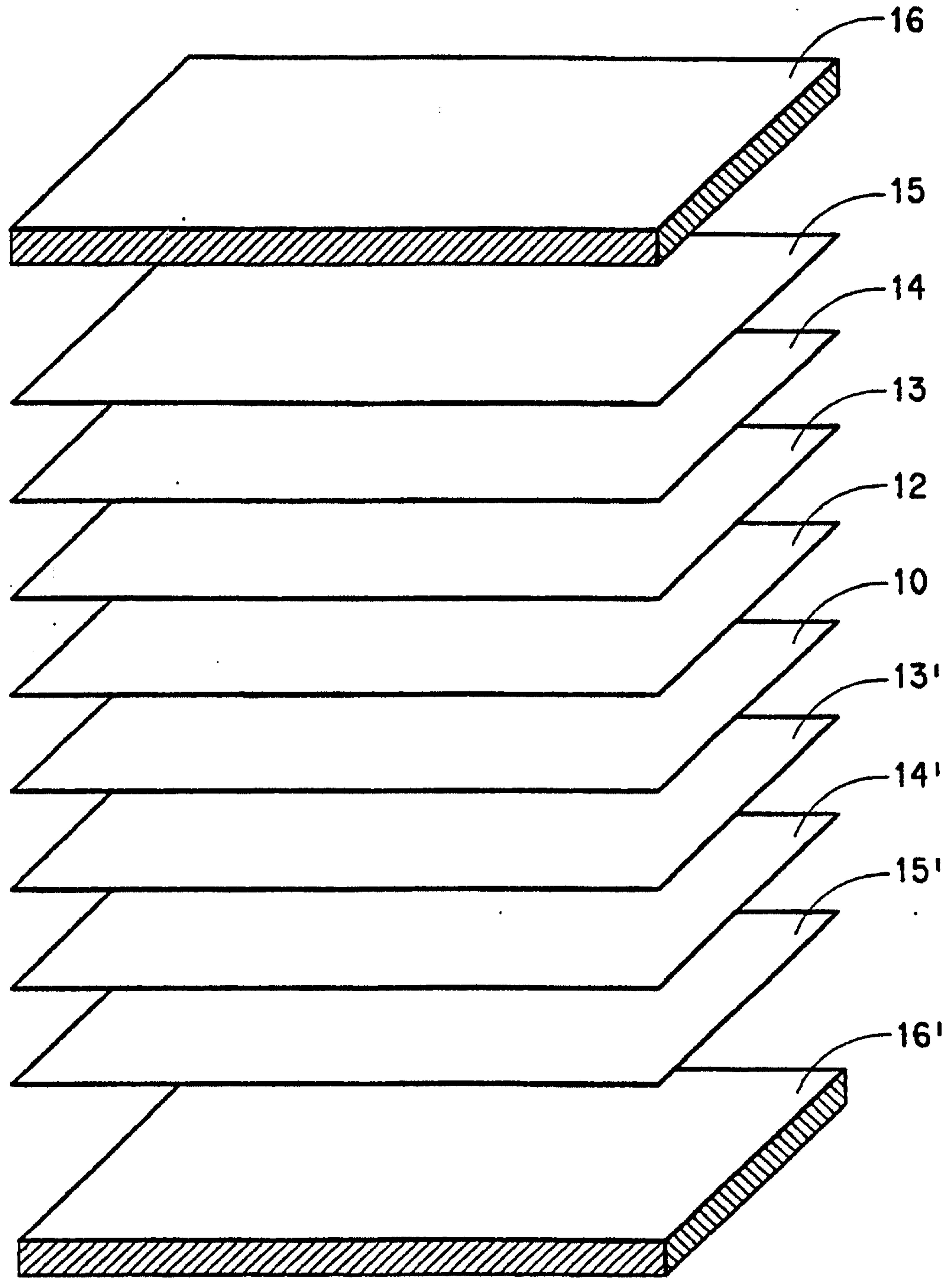


FIG. 2

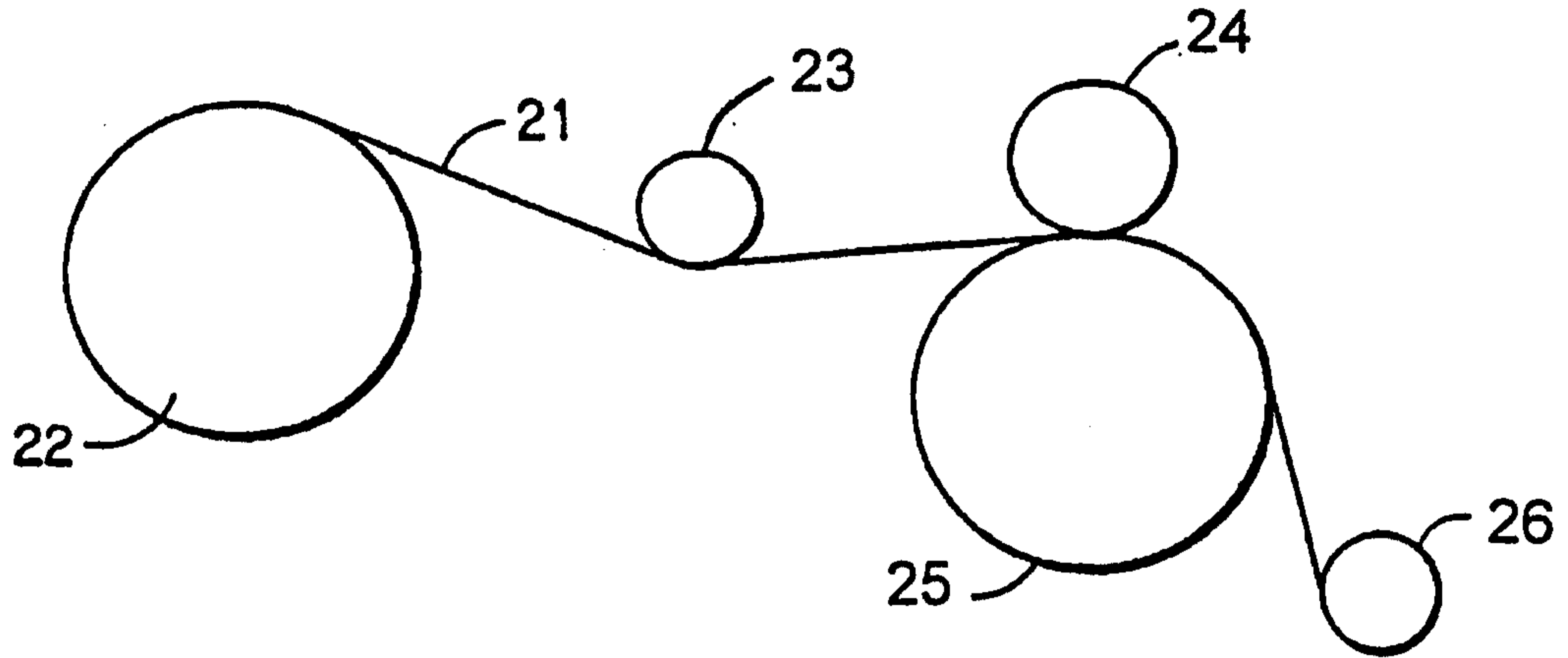


FIG. 3

