

(19) World Intellectual Property Organization
International Bureau



(43) International Publication Date
13 September 2007 (13.09.2007)

PCT

(10) International Publication Number
WO 2007/103342 A3

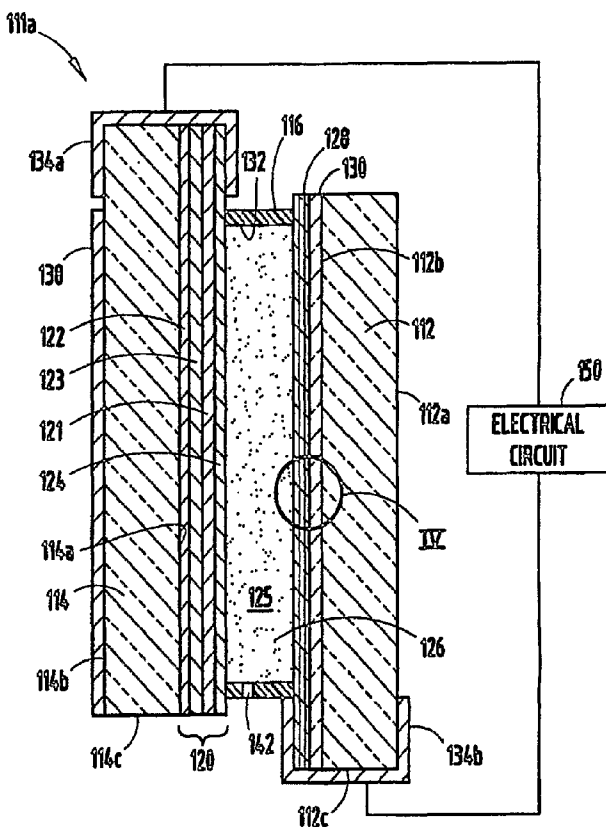
- (51) International Patent Classification:
G02F 1/153 (2006.01)
- (21) International Application Number:
PCT/US2007/005638
- (22) International Filing Date: 5 March 2007 (05.03.2007)
- (25) Filing Language: English
- (26) Publication Language: English
- (30) Priority Data:
60/779,369 3 March 2006 (03.03.2006) US
60/810,921 5 June 2006 (05.06.2006) US
- (71) Applicant (for all designated States except US): GENTEX CORPORATION [US/US]; 600 North Centennial Street, Zeeland, Michigan 49464 (US).
- (72) Inventors; and
- (75) Inventors/Applicants (for US only): NEUMAN, George, A. [US/US]; 100 Crosswind Drive, Holland, Michigan 49424 (US). LUTEN, Henry, A. [US/US]; 2925 Riley Ridge Road, Holland, Michigan 49424 (US). ANDERSON, John, S. [US/US]; 108 East 21st Street, Holland,

Michigan 49423 (US). FORGETTE, Jeffrey, A. [US/US]; 3963 Sundial Avenue, Hudsonville, Michigan 49426 (US). VANDER ZWAAG, Scott, W. [US/US]; 5944 146th Avenue, Holland, Michigan 49423 (US).

- (74) Agent: DOLCE, Marcus, P.; Price, Heneveld, Cooper, DeWitt & Litton, LLP, 695 Kenmoor, S.E., P.O. Box 2567, Grand Rapids, MI 49501-2567 (US).
- (81) Designated States (unless otherwise indicated, for every kind of national protection available): AE, AG, AL, AM, AT, AU, AZ, BA, BB, BG, BR, BW, BY, BZ, CA, CH, CN, CO, CR, CU, CZ, DE, DK, DM, DZ, EC, EE, EG, ES, FI, GB, GD, GE, GH, GM, GT, HN, HR, HU, ID, IL, IN, IS, JP, KE, KG, KM, KN, KP, KR, KZ, LA, LC, LK, LR, LS, LT, LU, LY, MA, MD, MG, MK, MN, MW, MX, MY, MZ, NA, NG, NI, NO, NZ, OM, PG, PH, PL, PT, RO, RS, RU, SC, SD, SE, SG, SK, SL, SM, SV, SY, TJ, TM, TN, TR, TT, TZ, UA, UG, US, UZ, VC, VN, ZA, ZM, ZW.
- (84) Designated States (unless otherwise indicated, for every kind of regional protection available): ARIPO (BW, GH, GM, KE, LS, MW, MZ, NA, SD, SL, SZ, TZ, UG, ZM,

[Continued on next page]

(54) Title: ELECTRO-OPTICAL ELEMENT INCLUDING IMI COATINGS



(57) Abstract: An electrochromic element comprises a first substrate having a first surface and a second surface opposite the first surface, a second substrate in spaced-apart relationship to the first substrate and having a third surface facing the second surface and a fourth surface opposite the third surface, and an electrochromic medium located between the first and second substrates, wherein the medium has a light transmittance that is variable upon application of an electric field thereto. The element further comprises a transparent electrode layer covering at least a portion of at least a select one of the first surface, the second surface, the third surface, and the fourth surface, wherein the transparent electrode layer comprises an insulator/metal/insulator stack. The materials utilized to construct the insulator/metal/insulator stack are selected to optimize optical and physical properties of the element such as reflectivity, color, electrical switch stability, and environmental durability.

WO 2007/103342 A3



ZW), Eurasian (AM, AZ, BY, KG, KZ, MD, RU, TJ, TM),
European (AT, BE, BG, CH, CY, CZ, DE, DK, EE, ES, FI,
FR, GB, GR, HU, IE, IS, IT, LT, LU, LV, MC, MT, NL, PL,
PT, RO, SE, SI, SK, TR), OAPI (BF, BJ, CF, CG, CI, CM,
GA, GN, GQ, GW, ML, MR, NE, SN, TD, TG).

Declarations under Rule 4.17:

- *as to applicant's entitlement to apply for and be granted a patent (Rule 4.17(ii))*

- *as to the applicant's entitlement to claim the priority of the earlier application (Rule 4.17(iii))*

Published:

- *with international search report*
- *before the expiration of the time limit for amending the claims and to be republished in the event of receipt of amendments*

(88) Date of publication of the international search report:

3 April 2008

INTERNATIONAL SEARCH REPORT

International application No.

PCT/US07/05638

A. CLASSIFICATION OF SUBJECT MATTER IPC(8) - G02F 1/153 (2007.01) USPC - 359/267 According to International Patent Classification (IPC) or to both national classification and IPC		
B. FIELDS SEARCHED Minimum documentation searched (classification system followed by classification symbols) IPC(8) - G02F 1/153 (2007.01) USPC - 359/267 Documentation searched other than minimum documentation to the extent that such documents are included in the fields searched Electronic data base consulted during the international search (name of data base and, where practicable, search terms used) PatBase, Google Scholar		
C. DOCUMENTS CONSIDERED TO BE RELEVANT		
Category*	Citation of document, with indication, where appropriate, of the relevant passages	Relevant to claim No.
X	US 6,356,376 B1 (TONAR et al) 12 March 2002 (12.03.2002) entire document	1-8,12-40,42,44-51
Y		9-11,41,43
Y	US 2004/0028955 A1 (HOFFMAN) 12 February 2004 (12.02.2004) paragraph 5	9-11
Y	US 5,177,031 A (BUCHMANN et al) 05 January 1993 (05.01.1993) entire document	41, 43
<input type="checkbox"/> Further documents are listed in the continuation of Box C. <input type="checkbox"/>		
* Special categories of cited documents: "A" document defining the general state of the art which is not considered to be of particular relevance "E" earlier application or patent but published on or after the international filing date "L" document which may throw doubts on priority claim(s) or which is cited to establish the publication date of another citation or other special reason (as specified) "O" document referring to an oral disclosure, use, exhibition or other means "P" document published prior to the international filing date but later than the priority date claimed "T" later document published after the international filing date or priority date and not in conflict with the application but cited to understand the principle or theory underlying the invention "X" document of particular relevance; the claimed invention cannot be considered novel or cannot be considered to involve an inventive step when the document is taken alone "Y" document of particular relevance; the claimed invention cannot be considered to involve an inventive step when the document is combined with one or more other such documents, such combination being obvious to a person skilled in the art "&" document member of the same patent family		
Date of the actual completion of the international search 20 August 2007		Date of mailing of the international search report 06 FEB 2008
Name and mailing address of the ISA/US Mail Stop PCT, Attn: ISA/US, Commissioner for Patents P.O. Box 1450, Alexandria, Virginia 22313-1450 Facsimile No. 571-273-3201		Authorized officer: Blaine R. Copenheaver PCT Helpdesk: 571-272-4300 PCT OSP: 571-272-7774