



(51) International Patent Classification:

F28D 7/02 (2006.01) F28F 1/40 (2006.01)
F28D 1/047 (2006.01) F04B 1/04 (2006.01)
F28F 1/36 (2006.01) F04B 39/06 (2006.01)

(21) International Application Number:

PCT/IB2019/000494

(22) International Filing Date:

12 April 2019 (12.04.2019)

(25) Filing Language:

English

(26) Publication Language:

English

(30) Priority Data:

62/657,343 13 April 2018 (13.04.2018) US

(71) Applicant: **FLOWERVE MANAGEMENT COMPANY** [US/US]; 5215 North O'Connor Blvd., Suite 2300, Irving, Texas 75039 (US).

(72) Inventors: **VAN NOESEL, Ronald**; Borchwerf 20, 4704RG Roosendaal (NL). **VAN GREFSCHPE, Dennis**; Borchwerf 20, 4704RG Roosendaal (NL). **OOMEN, Frank**; Borchwerf 20, 4704RG Roosendaal (NL).

(74) Agent: **BAKER, Gregory, C.**; Traskbritt, P.O. Box 2550, Salt Lake City, UT 84102 (US).

(81) Designated States (unless otherwise indicated, for every kind of national protection available): AE, AG, AL, AM, AO, AT, AU, AZ, BA, BB, BG, BH, BN, BR, BW, BY, BZ, CA, CH, CL, CN, CO, CR, CU, CZ, DE, DJ, DK, DM, DO, DZ, EC, EE, EG, ES, FI, GB, GD, GE, GH, GM, GT, HN, HR, HU, ID, IL, IN, IR, IS, JO, JP, KE, KG, KH, KN, KP, KR, KW, KZ, LA, LC, LK, LR, LS, LU, LY, MA, MD, ME, MG, MK, MN, MW, MX, MY, MZ, NA, NG, NI, NO, NZ, OM, PA, PE, PG, PH, PL, PT, QA, RO, RS, RU, RW, SA, SC, SD, SE, SG, SK, SL, SM, ST, SV, SY, TH, TJ, TM, TN, TR, TT, TZ, UA, UG, US, UZ, VC, VN, ZA, ZM, ZW.

(84) Designated States (unless otherwise indicated, for every kind of regional protection available): ARIPO (BW, GH, GM, KE, LR, LS, MW, MZ, NA, RW, SD, SL, ST, SZ, TZ, UG, ZM, ZW), Eurasian (AM, AZ, BY, KG, KZ, RU, TJ, TM), European (AL, AT, BE, BG, CH, CY, CZ, DE, DK, EE, ES, FI, FR, GB, GR, HR, HU, IE, IS, IT, LT, LU, LV, MC, MK, MT, NL, NO, PL, PT, RO, RS, SE, SI, SK, SM, TR), OAPI (BF, BJ, CF, CG, CI, CM, GA, GN, GQ, GW, KM, ML, MR, NE, SN, TD, TG).

(54) Title: FLUID COOLERS, HEAT EXCHANGERS, SEAL ASSEMBLIES AND SYSTEMS INCLUDING FLUID COOLERS OR HEAT EXCHANGERS AND RELATED METHODS

(57) Abstract: Heat exchangers include at least one looped tube having at least one section that is laterally offset from another section of the looped tube. Fluid cooling systems and seal systems may include such heat exchangers.

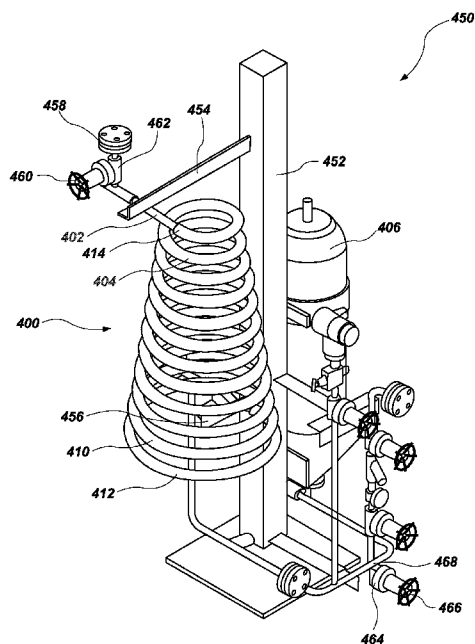


FIG. 5



Published:

- *with international search report (Art. 21(3))*
- *before the expiration of the time limit for amending the claims and to be republished in the event of receipt of amendments (Rule 48.2(h))*

(88) Date of publication of the international search report:

14 November 2019 (14.11.2019)

INTERNATIONAL SEARCH REPORT

International application No PCT/IB2019/000494

A. CLASSIFICATION OF SUBJECT MATTER		
INV. F28D7/02	F28D1/047	F28F1/36
F04B39/06	F28F1/40	F04B1/04
ADD.		
According to International Patent Classification (IPC) or to both national classification and IPC		
B. FIELDS SEARCHED		
Minimum documentation searched (classification system followed by classification symbols) F28D F28F F04B		
Documentation searched other than minimum documentation to the extent that such documents are included in the fields searched		
Electronic data base consulted during the international search (name of data base and, where practicable, search terms used) EPO-Internal, WPI Data		
C. DOCUMENTS CONSIDERED TO BE RELEVANT		
Category*	Citation of document, with indication, where appropriate, of the relevant passages	Relevant to claim No.
X	US 3 612 004 A (CANCILLA EDWARD ET AL) 12 October 1971 (1971-10-12)	1-4,6-8, 11,16-18
Y	the whole document	5,9,10, 13,14, 19,20

X	US 3 118 430 A (RUSSELL JAMES A ET AL) 21 January 1964 (1964-01-21)	1-4,6-8, 11,12,15
Y	the whole document	

Y	US 2005/133202 A1 (JORGENSEN LARS S [DK] ET AL) 23 June 2005 (2005-06-23)	9,10,13, 14
A	the whole document	1-4,6, 11,12

Y	US 2005/269069 A1 (HANCOCK STEPHEN S [US]) 8 December 2005 (2005-12-08)	5
A	the whole document	1-4,6

-/--		
<input checked="" type="checkbox"/> Further documents are listed in the continuation of Box C. <input checked="" type="checkbox"/> See patent family annex.		
* Special categories of cited documents :		
"A" document defining the general state of the art which is not considered to be of particular relevance	"T" later document published after the international filing date or priority date and not in conflict with the application but cited to understand the principle or theory underlying the invention	
"E" earlier application or patent but published on or after the international filing date	"X" document of particular relevance; the claimed invention cannot be considered novel or cannot be considered to involve an inventive step when the document is taken alone	
"L" document which may throw doubts on priority claim(s) or which is cited to establish the publication date of another citation or other special reason (as specified)	"Y" document of particular relevance; the claimed invention cannot be considered to involve an inventive step when the document is combined with one or more other such documents, such combination being obvious to a person skilled in the art	
"O" document referring to an oral disclosure, use, exhibition or other means	"&" document member of the same patent family	
"P" document published prior to the international filing date but later than the priority date claimed		
Date of the actual completion of the international search	Date of mailing of the international search report	
26 September 2019	16/10/2019	
Name and mailing address of the ISA/ European Patent Office, P.B. 5818 Patentlaan 2 NL - 2280 HV Rijswijk Tel. (+31-70) 340-2040, Fax: (+31-70) 340-3016	Authorized officer Bloch, Gregor	

INTERNATIONAL SEARCH REPORT

International application No
PCT/IB2019/000494

C(Continuation). DOCUMENTS CONSIDERED TO BE RELEVANT

Category*	Citation of document, with indication, where appropriate, of the relevant passages	Relevant to claim No.
Y	DE 32 18 547 C1 (KRAFTWERK UNION AG) 21 April 1983 (1983-04-21)	19,20
A	claim 1; figures 1-4 -----	1,11
A	US 2012/060549 A1 (HERRERA CARLOS A [US] ET AL) 15 March 2012 (2012-03-15) abstract; figures 1-3 -----	1-4,11, 12
A	GB 2 526 094 A (VIJAYAKUMAR ARUN TAMIL SELVAN [GB]) 18 November 2015 (2015-11-18) figures 1-10 -----	1-4
A	US 2017/074600 A1 (GAO XIANGQI [CN] ET AL) 16 March 2017 (2017-03-16) figures 1-6 -----	5

INTERNATIONAL SEARCH REPORT

Information on patent family members

International application No PCT/IB2019/000494

Patent document cited in search report	Publication date	Publication date	Patent family member(s)	Publication date
US 3612004	A	12-10-1971	NONE	

US 3118430	A	21-01-1964	NONE	

US 2005133202	A1	23-06-2005	NONE	

US 2005269069	A1	08-12-2005	NONE	

DE 3218547	C1	21-04-1983	AT 379249 B	10-12-1985
			CH 662641 A5	15-10-1987
			DE 3218547 C1	21-04-1983
			JP S58217797 A	17-12-1983

US 2012060549	A1	15-03-2012	CA 2755093 A1	21-04-2012
			US 2012060549 A1	15-03-2012

GB 2526094	A	18-11-2015	NONE	

US 2017074600	A1	16-03-2017	CN 104132485 A	05-11-2014
			US 2017074600 A1	16-03-2017
			WO 2015172738 A1	19-11-2015
