



US00D690059S

(12) **United States Design Patent**
Robbins

(10) **Patent No.:** **US D690,059 S**

(45) **Date of Patent:** **** Sep. 17, 2013**

- (54) **BIODEGRADABLE LITTER BOX**
- (71) Applicant: **Terry Robbins**, Waverly, OH (US)
- (72) Inventor: **Terry Robbins**, Waverly, OH (US)
- (73) Assignee: **Litter One, LLC**, Hilliard, OH (US)
- (**) Term: **14 Years**
- (21) Appl. No.: **29/435,805**
- (22) Filed: **Oct. 29, 2012**

Related U.S. Application Data

- (63) Continuation-in-part of application No. 13/457,659, filed on Apr. 27, 2012.
- (51) **LOC (9) Cl.** **30-99**
- (52) **U.S. Cl.**
USPC **D30/161**
- (58) **Field of Classification Search**
USPC D30/161-162, 199; 119/161, 163-170;
220/890; 229/102.5
See application file for complete search history.

References Cited

U.S. PATENT DOCUMENTS

3,154,052	A *	10/1964	Sweeney	119/168
3,233,588	A *	2/1966	Thomas	119/166
3,581,977	A *	6/1971	Kirsky et al.	D30/161
4,649,862	A *	3/1987	Neary	119/168
4,779,567	A *	10/1988	Smith	119/165
4,807,563	A *	2/1989	Berry et al.	119/168
4,967,692	A *	11/1990	Mills	119/168
4,976,218	A *	12/1990	Cirami	119/168
5,007,530	A *	4/1991	Weismantel	119/168
5,035,205	A *	7/1991	Schiller et al.	119/168

5,080,046	A *	1/1992	Cassone	119/168
5,211,134	A *	5/1993	Bolo, III	119/168
D340,323	S *	10/1993	Wagner	D30/161
D372,565	S *	8/1996	Rice	D30/161
6,382,131	B1 *	5/2002	McGivern	119/165
D498,025	S *	11/2004	Tessier et al.	D30/161
D607,281	S *	1/2010	Meyers	D7/571
D613,914	S *	4/2010	Asknasi	D30/161
D652,587	S *	1/2012	Matsuo et al.	D30/161

* cited by examiner

Primary Examiner — Cathy A MacCormac

(74) *Attorney, Agent, or Firm* — Standley Law Group LLP

(57) **CLAIM**

The ornamental design for a biodegradable litter box, as shown and described above.

DESCRIPTION

FIG. 1 is a front perspective view of a biodegradable litter box;

FIG. 2 is a rear perspective view thereof;

FIG. 3 is a top plan view thereof;

FIG. 4 is a front elevation view thereof;

FIG. 5 is a right side elevation view thereof;

FIG. 6 is a rear elevation view thereof;

FIG. 7 is a left side elevation view thereof;

FIG. 8 is a bottom plan view thereof;

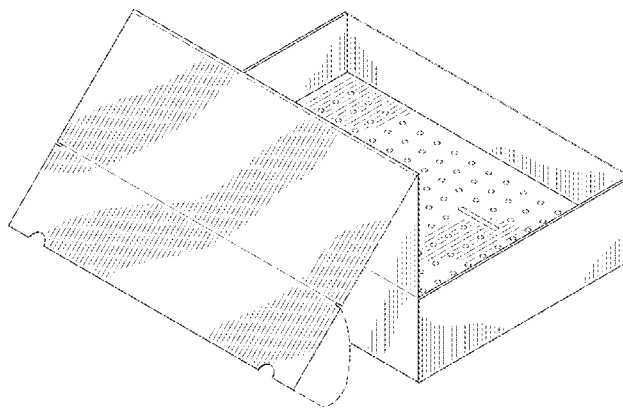
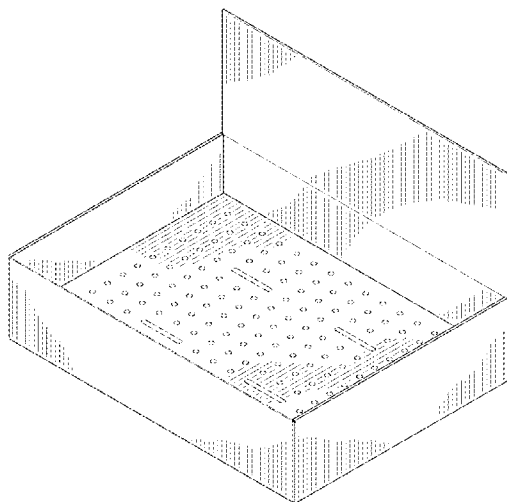
FIG. 9 is a rear perspective view thereof showing the cover in an alternate position;

FIG. 10 is another rear perspective view thereof showing the retractable cover in an alternate position; and,

FIG. 11 is another rear perspective view thereof showing the cover in a closed position.

The broken lines are for illustration only and form no part of the claimed design.

1 Claim, 5 Drawing Sheets



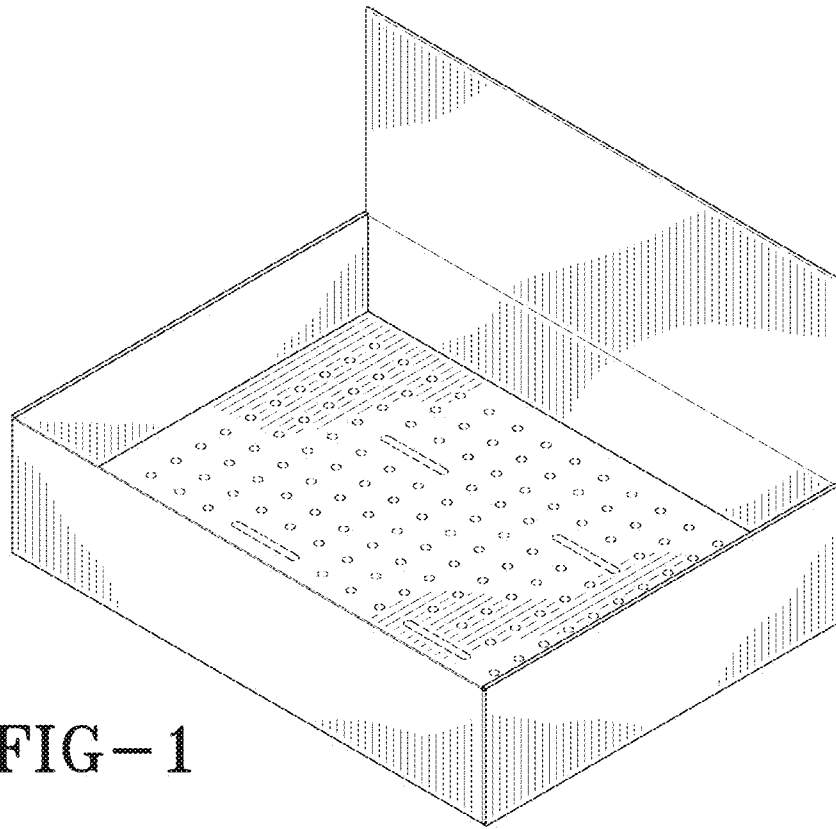


FIG-1

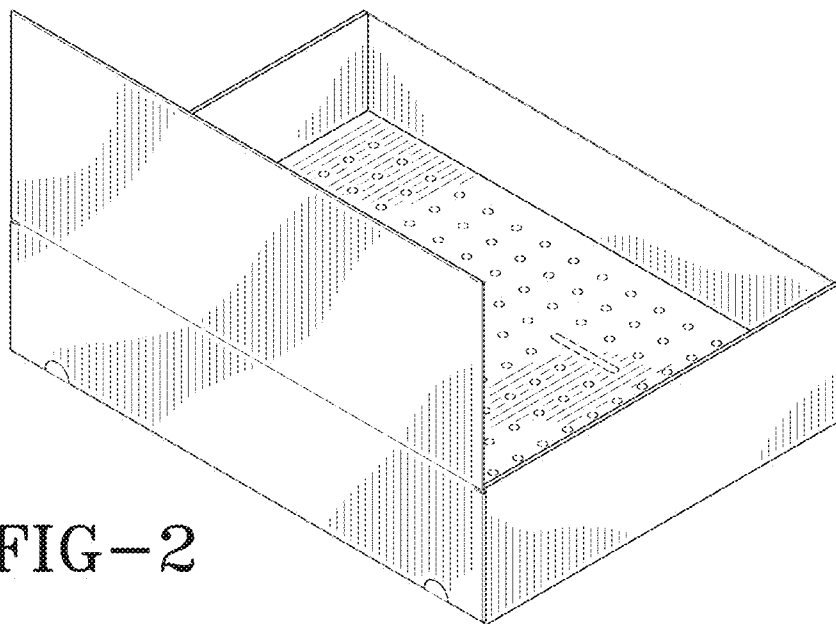


FIG-2

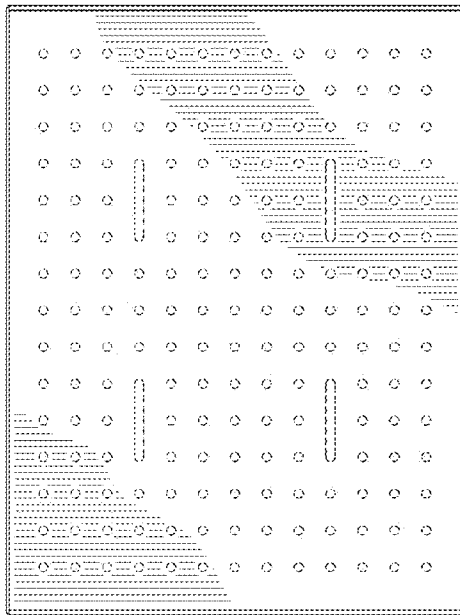


FIG-3

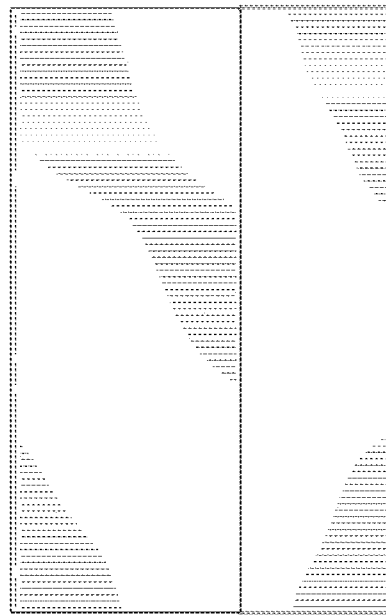


FIG-4

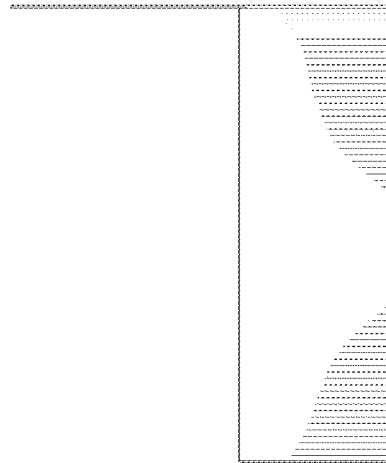


FIG-5

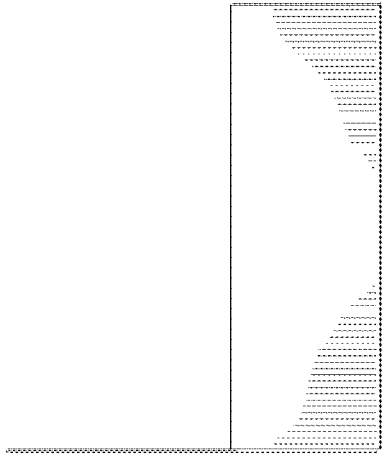


FIG-7

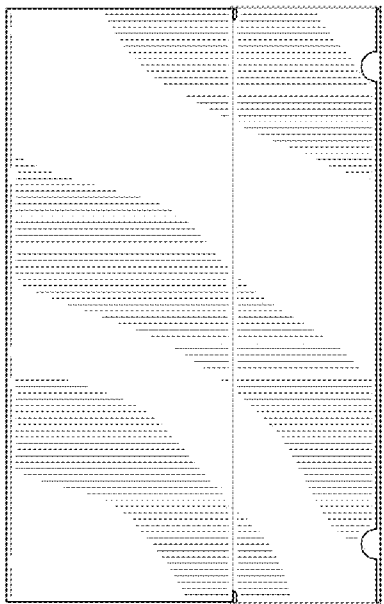


FIG-6

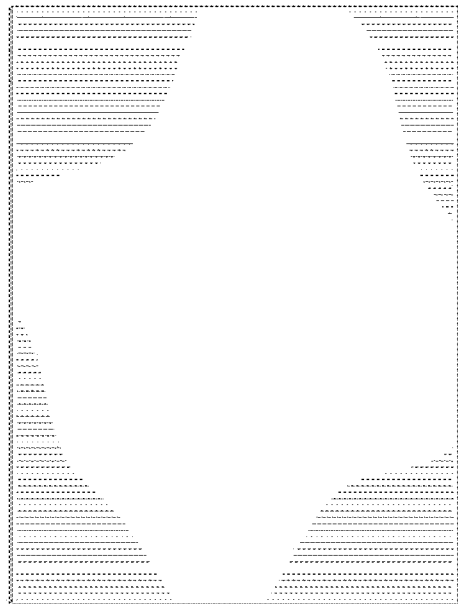


FIG-8

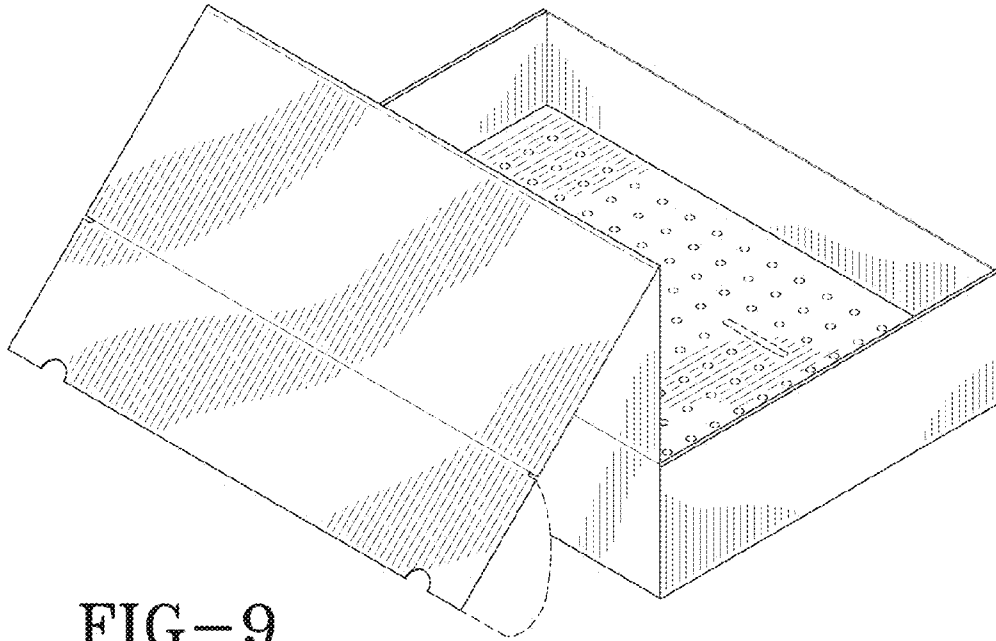


FIG-9

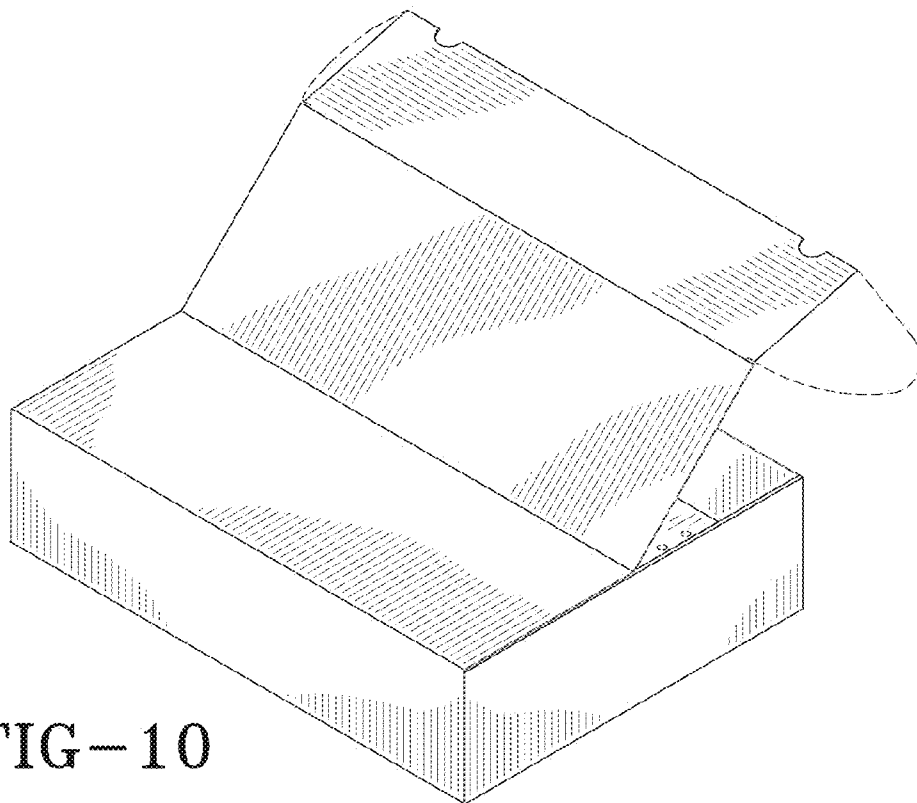


FIG-10

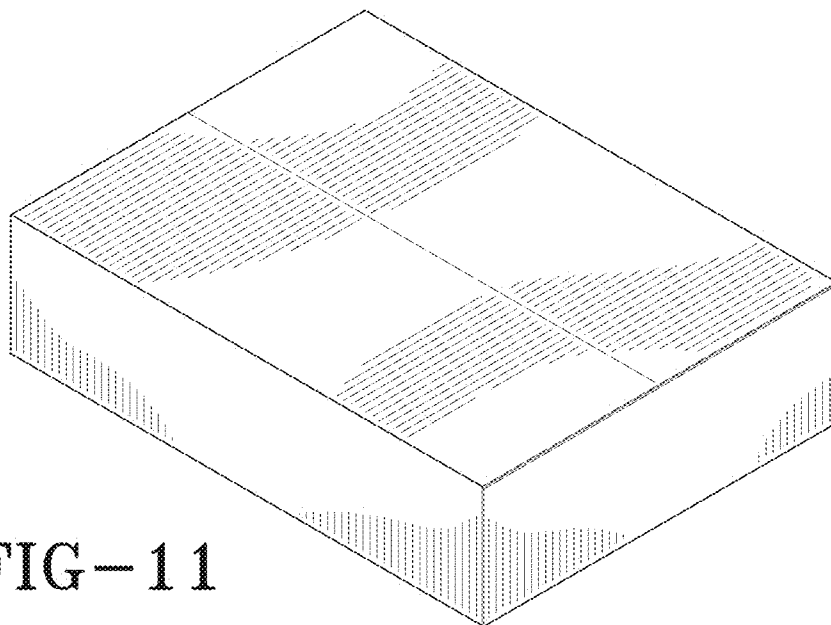


FIG-11