



US00D463202S

(12) **United States Design Patent**  
**Smith**

(10) **Patent No.:** **US D463,202 S**

(45) **Date of Patent:** **\*\* Sep. 24, 2002**

(54) **GRILLING PAN FOR BARBECUE**

(76) Inventor: **Michael A. Smith**, 4684 County Rd. E.,  
Orland, CA (US) 95963

(\*\*) Term: **14 Years**

(21) Appl. No.: **29/147,066**

(22) Filed: **Aug. 21, 2001**

(51) **LOC (7) Cl.** ..... **07-02**

(52) **U.S. Cl.** ..... **D7/359**

(58) **Field of Search** ..... D7/323, 354-361,  
D7/549, 409; 99/425, 426, 444-447; 126/1 R-29;  
220/573.1-573.3

(56) **References Cited**

**U.S. PATENT DOCUMENTS**

D187,237 S	*	2/1960	Kindelberger	.....	D7/549
D188,501 S	*	8/1960	Wood	.....	D7/359
D257,115 S	*	9/1980	Anderson	.....	D7/359
D268,981 S	*	5/1983	Monson	.....	D7/359
D297,393 S	*	8/1988	Picozza et al.	.....	D7/359
D362,154 S	*	9/1995	Pusateri	.....	D7/359

D363,410 S	*	10/1995	Hazen	.....	D7/359
D365,495 S	*	12/1995	O'Higgins	.....	D7/359
D373,285 S	*	9/1996	Coroama et al.	.....	D7/359
5,884,555 A	*	3/1999	Chang	.....	99/425
D427,009 S	*	6/2000	Iyengar et al.	.....	D7/360

\* cited by examiner

*Primary Examiner*—Caron D. Veynar

(74) *Attorney, Agent, or Firm*—Heisler & Associates

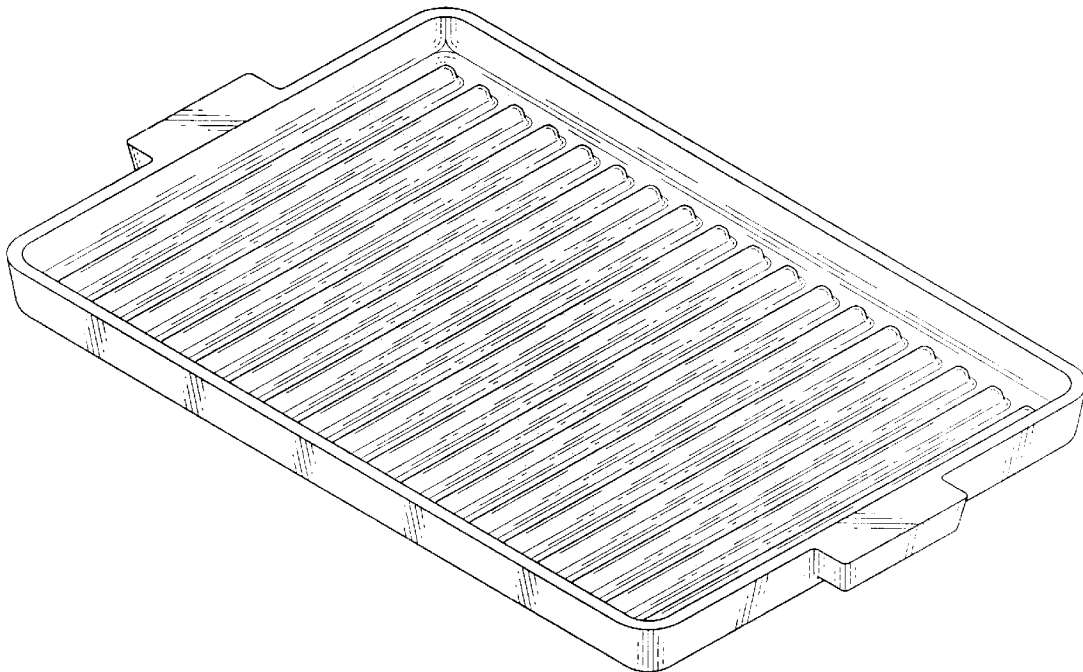
(57) **CLAIM**

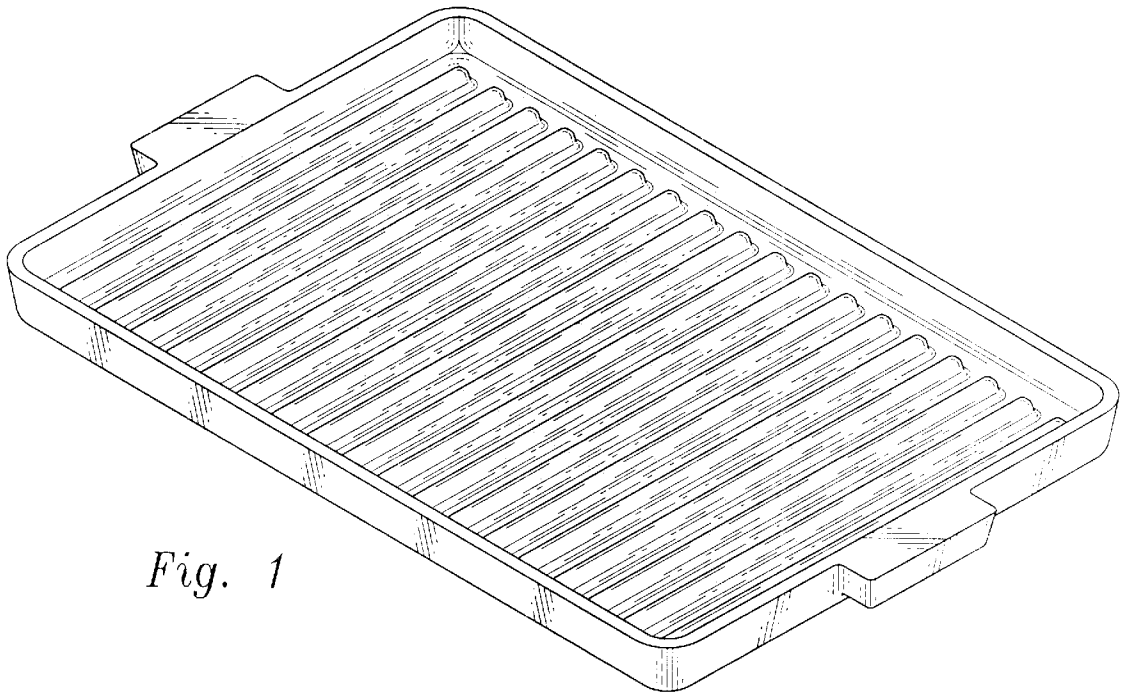
The ornamental design for a grilling pan for barbecue, as shown and described.

**DESCRIPTION**

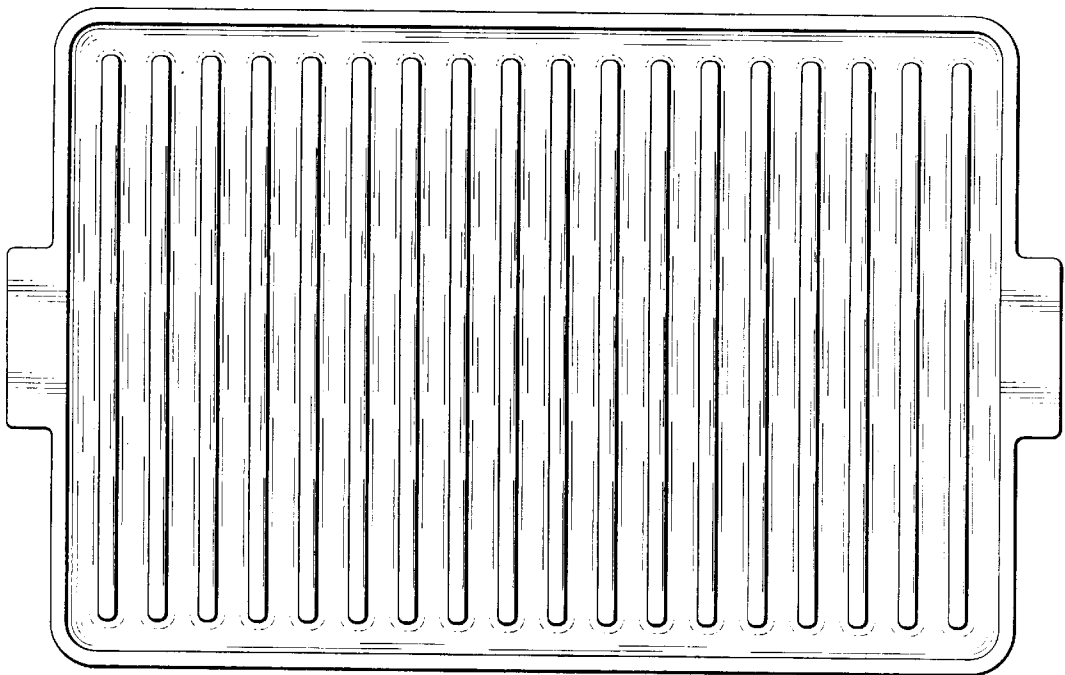
FIG. 1 is a perspective view of the invention;  
FIG. 2 is a top plan view of the invention;  
FIG. 3 is a front elevation view of the invention, the rear elevation view being a mirror image;  
FIG. 4 is a right side view of the invention, the left side view being a mirror image; and,  
FIG. 5 is a bottom plan view of the invention.

**1 Claim, 2 Drawing Sheets**

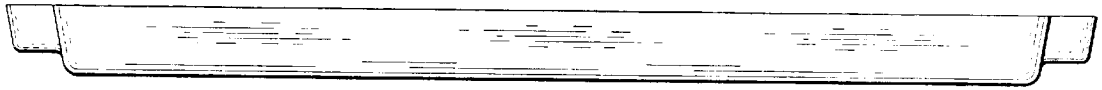




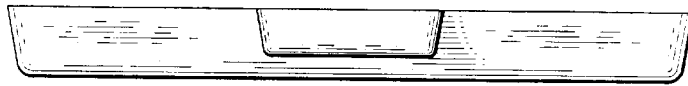
*Fig. 1*



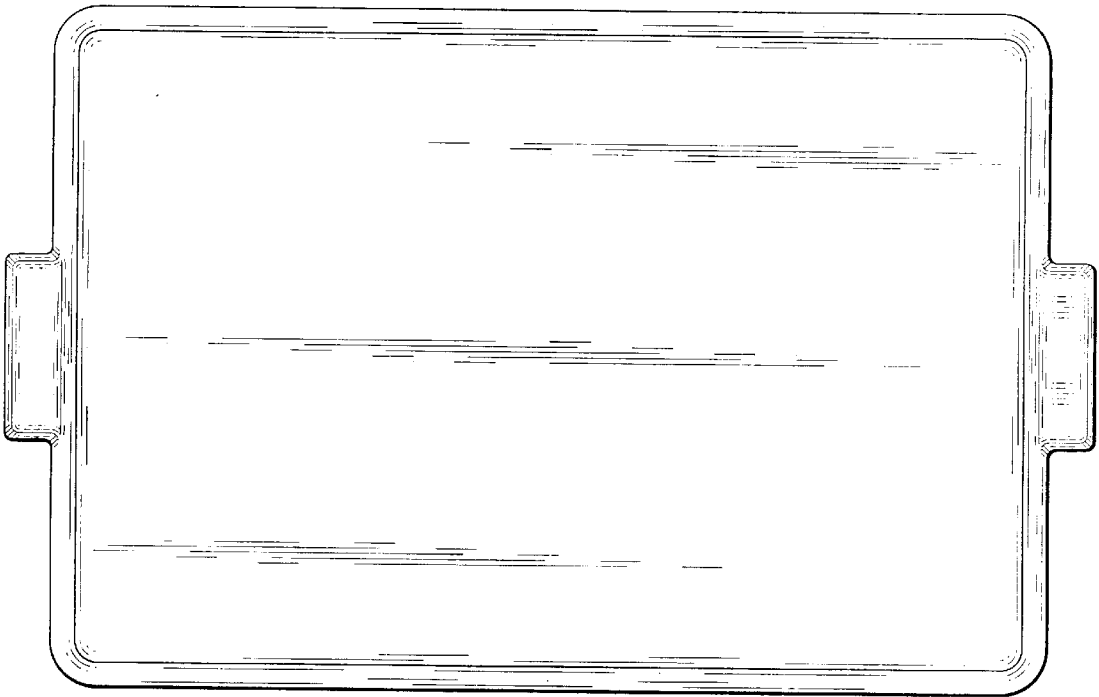
*Fig. 2*



*Fig. 3*



*Fig. 4*



*Fig. 5*