

[54] SKI TOE CLAMP

[75] Inventors: **Herbert H. Schultes**,
Fürstenfeldbruck; **Edwin Wahl**,
Munich, both of Fed. Rep. of
Germany

[73] Assignee: **Marker International Company**, Salt
Lake City, Utah

[**] Term: **14 Years**

[21] Appl. No.: **374,291**

[22] Filed: **May 3, 1982**

[30] **Foreign Application Priority Data**

Nov. 3, 1981 [DE] Fed. Rep. of Germany ... MR 18 675

[52] U.S. Cl. **D21/230**

[58] Field of Search D21/230, 229; 280/611,
280/613, 616, 617, 618

[56] **References Cited**

U.S. PATENT DOCUMENTS

D. 209,762 1/1968 Vöster et al. D21/230

D. 268,945 5/1983 Beyl D21/230
D. 274,077 5/1984 Segers et al. D21/230

OTHER PUBLICATIONS

Abitare, 1-1979, p. 71, Toe Clip for Ski Binding.
Ski Flash Magazine, 3-1978, inside cover, "Marker" ad,
Toe Clip.

Tyrolia Flier, 12-1981, Toe Clip #360R.

Primary Examiner—Charles A. Rademaker
Attorney, Agent, or Firm—D. Peter Hochberg

[57] **CLAIM**

The ornamental design for a ski toe clamp, as shown
and described.

DESCRIPTION

FIG. 1 is a perspective view of a ski toe clamp showing
our new design;

FIG. 2 is a top plan view thereof;

FIG. 3 is a front elevational view thereof;

FIG. 4 is a side elevational view thereof, the side oppo-
site being substantially a mirror image; and

FIG. 5 is a rear elevational view thereof.

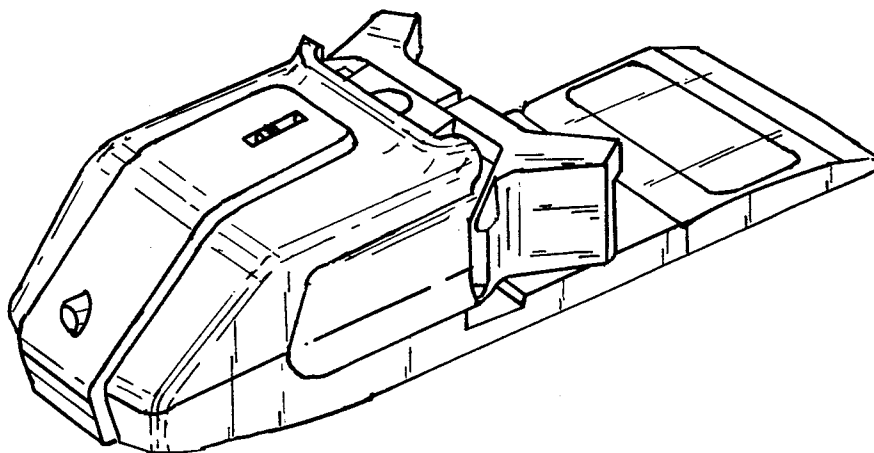


FIGURE 1

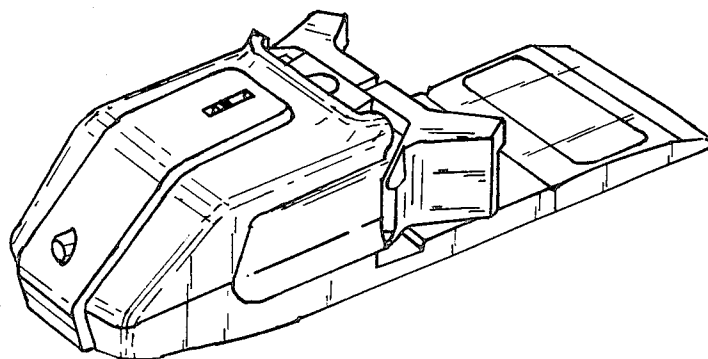


FIG. 2

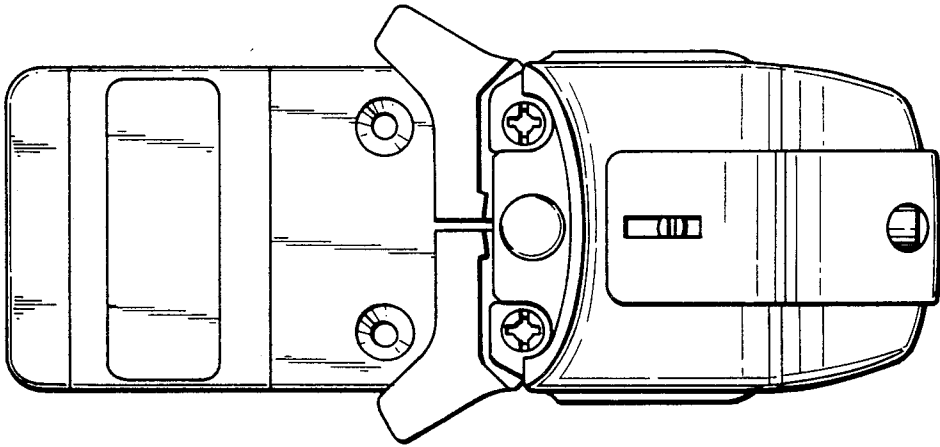


FIG. 3

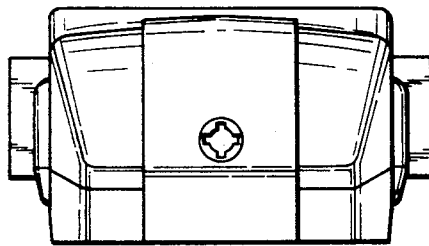


FIG. 4

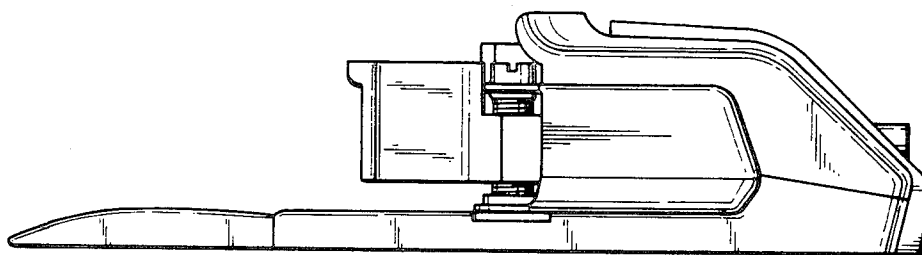


FIG. 5

