

(19) World Intellectual Property Organization
International Bureau



(43) International Publication Date
3 July 2008 (03.07.2008)

PCT

(10) International Publication Number
WO 2008/079595 A3

- (51) **International Patent Classification:**
HOIR 13/24 (2006.01) HOIR 9/16 (2006.01)
- (21) **International Application Number:**
PCT/US2007/086103
- (22) **International Filing Date:**
30 November 2007 (30.11.2007)
- (25) **Filing Language:** English
- (26) **Publication Language:** English
- (30) **Priority Data:**
11/643,387 21 December 2006 (21.12.2006) US
- (71) **Applicant (for all designated States except US):** CINCH CONNECTORS, INC. [US/US]; 1700 Finley Road, Lombard, Illinois 60148 (US).
- (72) **Inventor; and**
- (75) **Inventor/Applicant (for US only):** KIRKUS, Edmund [US/US]; 701 Tomaszewski Street, Lemont, Illinois 60439 (US).
- (74) **Agent:** AUGUSTYN, John, M.; Leydig, Voit & Mayer, Ltd., Two Prudential Plaza, Suite 4900, Chicago, Illinois 60601 (US).

- (81) **Designated States (unless otherwise indicated, for every kind of national protection available):** AE, AG, AL, AM, AT, AU, AZ, BA, BB, BG, BH, BR, BW, BY, BZ, CA, CH, CN, CO, CR, CU, CZ, DE, DK, DM, DO, DZ, EC, EE, EG, ES, FI, GB, GD, GE, GH, GM, GT, HN, HR, HU, ID, IL, IN, IS, JP, KE, KG, KM, KN, KP, KR, KZ, LA, LC, LK, LR, LS, LT, LU, LY, MA, MD, ME, MG, MK, MN, MW, MX, MY, MZ, NA, NG, NI, NO, NZ, OM, PG, PH, PL, PT, RO, RS, RU, SC, SD, SE, SG, SK, SL, SM, SV, SY, TJ, TM, TN, TR, TT, TZ, UA, UG, US, UZ, VC, VN, ZA, ZM, ZW
- (84) **Designated States (unless otherwise indicated, for every kind of regional protection available):** ARIPO (BW, GH, GM, KE, LS, MW, MZ, NA, SD, SL, SZ, TZ, UG, ZM, ZW), Eurasian (AM, AZ, BY, KG, KZ, MD, RU, TJ, TM), European (AT, BE, BG, CH, CY, CZ, DE, DK, EE, ES, FI, FR, GB, GR, HU, IE, IS, IT, LT, LU, LV, MC, MT, NL, PL, PT, RO, SE, SI, SK, TR), OAPI (BF, BJ, CF, CG, CI, CM, GA, GN, GQ, GW, ML, MR, NE, SN, TD, TG).

Published:
— with international search report

(88) **Date of publication of the international search report:**
25 September 2008

(54) **Title:** ELECTRICAL CONNECTOR

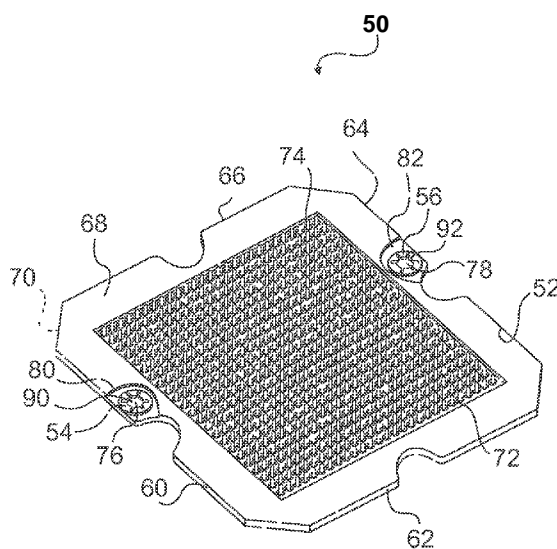


FIG. 1

(57) **Abstract:** The electrical connector may include an insulative housing (52) with a first surface (68), a second surface (70), and at least one aperture (72) extending between the first and second surfaces for receiving at least one electrical contact (74). The housing may further include at least one hole (76, 78) therethrough and at least one retention member (54, 56). The retention member may define an opening (90, 92) therethrough. The retention member may include a plurality of fingers (100, 102, 104, 106, 108, 110) extending into the opening. The retention member may be attached to the housing such that the opening of the retention member communicates with the hole of the housing. The retention member is configured to engage a mounting post when the mounting post is selectively inserted into the retention member. The fingers of the retention member may flexibly engage the mounting post to retain the mounting post in the retention member.

WO 2008/079595 A3

INTERNATIONAL SEARCH REPORT

International application No
PCT/US2007/086103

A. CLASSIFICATION OF SUBJECT MATTER
INV. H01R13/24 H01R9/16

According to International Patent Classification (IPC) or to both national classification and IPC

B. FIELDS SEARCHED

Minimum documentation searched (classification system followed by classification symbols)
H01R H05K F16B

Documentation searched other than minimum documentation to the extent that such documents are included in the fields searched

Electronic data base consulted during the international search (name of data base and, where practical, search terms used)

EPO-Internal

C. DOCUMENTS CONSIDERED TO BE RELEVANT

Category*	Citation of document, with indication, where appropriate, of the relevant passages	Relevant to claim No.
X	DE 40 16 890 A1 (ELCO ELEKTRONIK GMBH [DE] ELCO EUROP GMBH [DE]) 28 November 1991 (1991-11-28) abstract column 2, line 57 - column 3, line. 40 figures 1-5	1, 4, 6, 7, 9, 12
X	EP 1 691 136 A (BSH BOSCH SIEMENS HAUSGERAETE [DE]) 16 August 2006 (2006-08-16) abstract; figures 2-4	2
A	US 2003/200855 A1 (WING JASON C [US] ET AL) 30 October 2003 (2003-10-30) abstract; figures 4A, 5A, 5B	17
	-/--	

Further documents are listed in the continuation of Box C.

See patent family annex.

* Special categories of cited documents :

"A" document defining the general state of the art which is not considered to be of particular relevance

"E" earlier document but published on or after the international filing date

"L" document which may throw doubts on priority claim(s) or which is cited to establish the publication date of another citation or other special reason (as specified)

"O" document referring to an oral disclosure, use, exhibition or other means

"P" document published prior to the international filing date but later than the priority date claimed

"T" later document published after the international filing date or priority date and not in conflict with the application but cited to understand the principle or theory underlying the invention

"X" document of particular relevance; the claimed invention cannot be considered novel or cannot be considered to involve an inventive step when the document is taken alone

"Y" document of particular relevance; the claimed invention cannot be considered to involve an inventive step when the document is combined with one or more other such documents, such combination being obvious to a person skilled in the art.

"&" document member of the same patent family

Date of the actual completion of the international search

16 June 2008

Date of mailing of the international search report

07/07/2008

Name and mailing address of the ISA/

European Patent Office, P.B. 5818 Patentlaan 2
NL - 2280 HV Rijswijk
Tel. (+31-70) 340-2040, Tx. 31 651 epb nl,
Fax: (+31-70) 340-3016

Authorized officer

Kardinal , Ingrid

INTERNATIONAL SEARCH REPORT

International application No
PCT/US2007/086103

C(Continuation). DOCUMENTS CONSIDERED TO BE RELEVANT		
Category*	Citation of document, with indication, where appropriate, of the relevant passages	Relevant to claim No.
A	EP 0 706 313 A (FRAMATOME CONNECTORS INT [FR]) 10 April 1996 (1996-04-10) abstract; figures 1,2 -----	17
A	US 2003/051338 A1 (BULEY TODD H [US] ET AL) 20 March 2003 (2003-03-20) abstract; figures 1,2 -----	17

INTERNATIONAL SEARCH REPORT

Information on patent family members

International application No PCT/US2007/086103

Patent document cited in search report	Publication date	Patent family member(s)	Publication date
DE 4016890	A1	28-11-1991	NONE
EP 1691136	A	16-08-2006	DE 102005002951 A1 27-07-2006
US 2003200855	A1	30-10-2003	US 6787382 B1 07-09-2004
EP 0706313	A	10-04-1996	DE 69509032 D1 20-05-1999 DE 69509032 T2 12-08-1999 NL 9401657 A 01-05-1996 US 5628636 A 13-05-1997
US 2003051338	A1	20-03-2003	NONE