

(12) INTERNATIONAL APPLICATION PUBLISHED UNDER THE PATENT COOPERATION TREATY (PCT)

(19) World Intellectual Property Organization
International Bureau



(43) International Publication Date
27 February 2003 (27.02.2003)

PCT

(10) International Publication Number
WO 03/015603 A2

(51) International Patent Classification⁷: A61B

(21) International Application Number: PCT/PL02/00060

(22) International Filing Date: 9 August 2002 (09.08.2002)

(25) Filing Language: English

(26) Publication Language: English

(30) Priority Data:
P.349141 13 August 2001 (13.08.2001) PL

GM, HR, HU, ID, IL, IN, IS, JP, KE, KG, KP, KR, KZ, LC, LK, LR, LS, LT, LU, LV, MA, MD, MG, MK, MN, MW, MX, MZ, NO, NZ, OM, PH, PT, RO, RU, SD, SE, SG, SI, SK, SL, TJ, TM, TN, TR, TT, TZ, UA, UG, US, UZ, VN, YU, ZA, ZM, ZW.

(84) Designated States (*regional*): ARIPO patent (GH, GM, KE, LS, MW, MZ, SD, SL, SZ, TZ, UG, ZM, ZW), Eurasian patent (AM, AZ, BY, KG, KZ, MD, RU, TJ, TM), European patent (AT, BE, BG, CH, CY, CZ, DE, DK, EE, ES, FI, FR, GB, GR, IE, IT, LU, MC, NL, PT, SE, SK, TR), OAPI patent (BF, BJ, CF, CG, CI, CM, GA, GN, GQ, GW, ML, MR, NE, SN, TD, TG).

(71) Applicant (*for all designated States except US*): HTL - STREFA SP. Z O.O. [PL/PL]; ul. Adamówek 7, PL-95-035 (PL).

Declarations under Rule 4.17:

- as to applicant's entitlement to apply for and be granted a patent (Rule 4.17(ii)) for all designations
- as to the applicant's entitlement to claim the priority of the earlier application (Rule 4.17(iii)) for all designations

(72) Inventors; and

(75) Inventors/Applicants (*for US only*): RUTYNOWSKI, Włodzimierz [PL/PL]; ul. Piwarskiego, PL-00-770 Warszawa (PL). WYSZOGRODZKI, Wojciech [PL/PL]; ul. Ostródzka 56 X, PL-03-289 (PL).

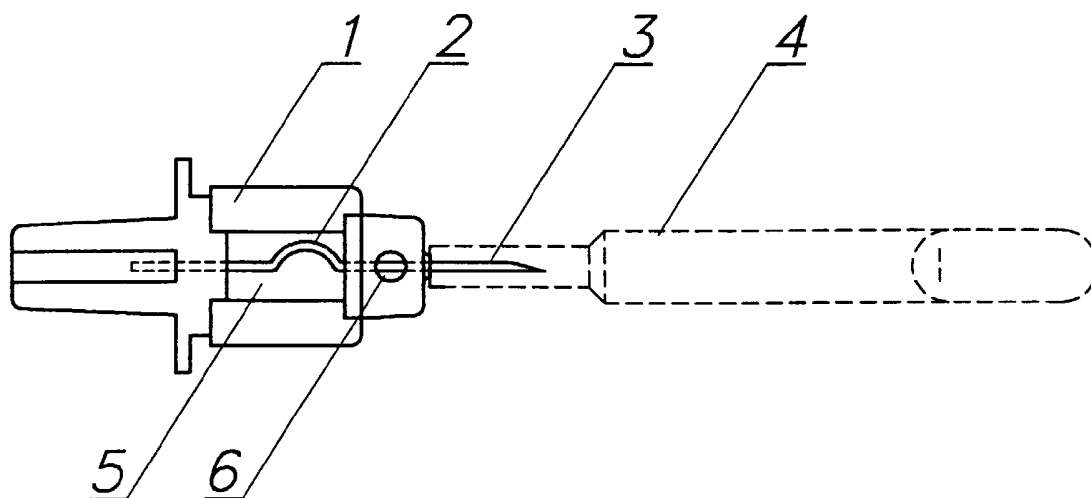
Published:

- without international search report and to be republished upon receipt of that report

(81) Designated States (*national*): AE, AG, AL, AM, AT, AU, AZ, BA, BB, BG, BR, BY, BZ, CA, CH, CN, CO, CR, CU, CZ, DE, DK, DM, DZ, EC, EE, ES, FI, GB, GD, GE, GH,

For two-letter codes and other abbreviations, refer to the "Guidance Notes on Codes and Abbreviations" appearing at the beginning of each regular issue of the PCT Gazette.

(54) Title: LANCET



(57) Abstract: A lancet comprises a handle (1) made of plastic material with a needle (2), where the tip (3) of the needle (2) is covered by a sheath (4) moulded together with the handle (1). The handle (1) includes at least one hole exposing the needle (2). The part of the needle (2) positioned in at least one hole (5) of the handle (1) is crooked.



WO 03/015603 A2

LANCET

(Background of the Invention)

1. Field of the Invention

This invention relates to a lancet, in particular for a device for puncturing patient's skin in order to collect blood sample for the diagnostics purposes.

2. Description of the Related Art

The U. S. Pat. Nos 4,379,456 and 5,554,166 disclose a device for puncturing comprises an elongated, generally cylindrical, housing having a chamber for a lancet holder. A lancet comprises a handle made of plastic material and a needle made of a solid stainless steel. The handle is moulded about the needle so that the tip of the needle extends outwardly beyond the upper end of the handle. Moreover, the lancet includes an integrally moulded needle sheath covering the pointed needle tip. The connection between the sheath and the handle is fragile so that twisting or rotating the sheath relative to the handle exposes the needle tip for puncturing patient's skin.

Further, the U. S. Pat. No. 5,100,427 discloses another construction of the lancet in the blood sampling device. The lancet has a moulded plastics body resembling the spool of a spool valve, with several annular ribs and a reduced diameter tail. It coaxially encases a needle whose tip is initially shielded and maintained in a sterile condition by a sheath moulded with the body but capable of being broken away. Between some of the ribs there are radial holes exposing the needle. They are formed as an incidental part of the manufacturing process.

(Summary of the Invention)

According to the present invention, a lancet comprises a handle made of plastic material with a needle, the tip of which being covered by a sheath moulded together with the handle, the handle includes at least one hole exposing the needle, where the part of the needle positioned in at least one hole of the handle is crooked.

An advantage of the solution according to the present invention is a fact that the needle is secured by pulling it from the handle of the lancet during breaking the sheath away.

(Brief description of the drawings)

The accompanying drawing, which is incorporated in, and form a part of the specification, illustrate an embodiment of the present invention and, together with the description, serve to explain the principles of the invention.

(Detailed description of the Invention)

Reference will now be made in detail to the preferred embodiment of the invention, an example of which is illustrated in the accompanying drawing.

The lancet is settled in the device for puncturing patient's skin in order to collect blood sample for the diagnostics purposes. The lancet comprises a handle (1) made of plastic material with a needle (2) made of a solid stainless steel. The tip (3) of the needle (2) is covered by a sheath (4) moulded together with the handle (1) during manufacturing process. The connection between the sheath (4) and the handle (1) is fragile. This connection enables breaking the sheath (4) away the handle (1) of the lancet and uncovering the tip (3) of the needle (2) for puncturing patient's skin.

The handle (1) of the lancet has two holes (5, 6) exposing the needle (2). The part of the needle (2) positioned in the first hole (5) of the handle (1) is crooked.

We claim:

A lancet, in particular for a device for puncturing patient's skin in order to collect blood sample for the diagnostics purposes, comprising a handle (1) made of plastic material with a needle (2), the tip (3) of which being covered by a sheath (4) moulded together with the handle (1), the handle (1) includes at least one hole (5) exposing the needle (2), characterised in that the part of the needle (2) positioned in at least one hole (5) of the handle (1) is crooked.

1/1

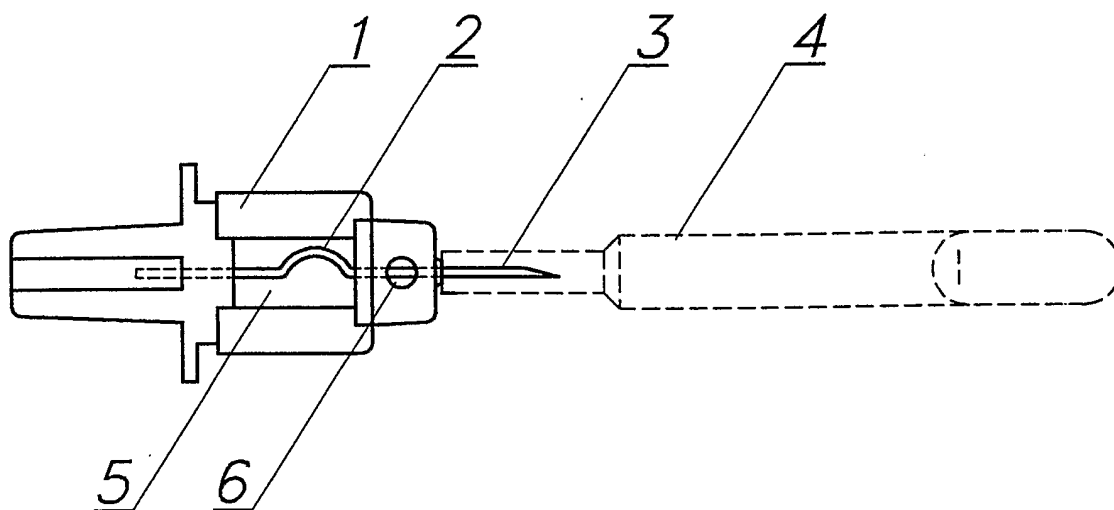


Fig. 1