

(19) **DANMARK**

(10) **DK/EP 3551823 T3**



Patent- og
Varemærkestyrelsen

(12) **Oversættelse af
europæisk patentskrift**

-
- (51) Int.Cl.: **E 05 F 1/00 (2006.01)** **E 05 F 15/63 (2015.01)**
- (45) Oversættelsen bekendtgjort den: **2023-06-26**
- (80) Dato for Den Europæiske Patentmyndigheds bekendtgørelse om meddelelse af patentet: **2023-06-07**
- (86) Europæisk ansøgning nr.: **17808483.6**
- (86) Europæisk indleveringsdag: **2017-12-05**
- (87) Den europæiske ansøgnings publiceringsdag: **2019-10-16**
- (86) International ansøgning nr.: **EP2017081436**
- (87) Internationalt publikationsnr.: **WO2018104258**
- (30) Prioritet: **2016-12-07 SE 1630292**
- (84) Designerede stater: **AL AT BE BG CH CY CZ DE DK EE ES FI FR GB GR HR HU IE IS IT LI LT LU LV MC MK MT NL NO PL PT RO RS SE SI SK SM TR**
- (73) Patenthaver: **ASSA ABLOY Entrance Systems AB, Box 131, 261 22 Landskrona, Sverige**
- (72) Opfinder: **SÖDERQVIST, Sven-Gunnar, Bryggerivägen 56, 253 41 Vallåkra, Sverige**
- (74) Fuldmægtig i Danmark: **Zacco Denmark A/S, Arne Jacobsens Allé 15, 2300 København S, Danmark**
- (54) Benævnelse: **Automatisk døråbner til en svingdørsenhed**
- (56) Fremdragne publikationer:
DE-A1-102015 104 825
US-A- 4 952 080
US-A1- 2009 249 699

DESCRIPTION

TECHNICAL FIELD

[0001] The present invention relates to the technical field of motorized doors. More specifically, the present invention relates to an automatic door operator for a swing door assembly having a door leaf rotationally supported by a door frame. The present invention also relates to a door operating system comprising such an automatic door operator, and to a method for providing user interaction with an automatic door operator in a door operating system.

BACKGROUND

[0002] Automatic door operators are frequently used for providing automatic opening and sometimes closing of one or more door leaves of a swing door assembly, in order to facilitate entrance and exit to buildings, rooms and other areas.

[0003] Since automatic door operators are typically used in public areas, it may be desired to allow a clean and aesthetically appealing installation where separate buttons, actuators, etc, as well as the wiring thereof to the automatic door operator, be avoided. This may also be beneficial for cost-saving reasons (less components) as well as safety reasons (no external components exposed to wear and tear).

[0004] On the other hand, there are situations where it is desired to allow a human user to interact with the automatic door operator in order to control a function thereof.

[0005] US 4 952 080 A discloses an automatic swing door operator that can be actuated to perform a motorized door opening sequence when triggered by the user manually trying to push open the door.

[0006] There is however room for improvements in the situations referred to above.

SUMMARY

[0007] An object of the present invention is therefore to provide a solution to or at least a mitigation of one or more of the problems or drawbacks identified in the background section above.

[0008] The present inventors have realized, after insightful consideration, that human interaction with automatic door operators may be provided in a novel and inventive way, which avoids the drawbacks above. By appropriately configuring a controller in the automatic door

operator, intentional manual movements of the door leaf in certain situations may be detected and used as commands for controlling one or more of the functions of the automatic door operator.

[0009] The present inventors have furthermore realized that there might in fact be a number of different functions of automatic door operators which can be controlled in a number of given situations in this novel and inventive way.

[0010] A first aspect of the present invention is an automatic door operator for a swing door assembly having a door leaf rotationally supported by a door frame. The automatic door operator comprises a motor for causing opening of the door leaf with respect to the door frame, and a controller being configured for performing different functions of the automatic door operator. The controller is configured to: detect a movement of the door leaf, not caused by said motor; identify a predefined movement matching the detected movement; determine, among said different functions, a function being associated with the predefined movement; and cause performance of the determined function.

[0011] The purpose of the detection of the movement is to allow that an intentional manual movement of the door leaf in a certain situation can be used for controlling one or more of the functions of the automatic door operator. The predefined movement therefore preferably represents an intentional manual movement of the door leaf by human intervention. Additionally, the automatic door operator comprises a forced closed arrangement adapted to provide mechanical energy via a transfer mechanism to the linkage, so as to cause forced closing of the door leaf with respect to the door frame in the event of the fire alarm. In accordance with the invention the determined function is to reset the automatic door operator after the fire alarm has been generated, or the different functions of the automatic door operator performable by the controller include generation of a fire alarm, wherein the determined function is to initiate the generation of the fire alarm so as to cause forced closing of the door leaf with respect to the door frame in the event of the fire alarm. This approach solves or at least mitigates one or more of the problems or drawbacks identified in the background section above, as will be clear from the following detailed description section.

[0012] An automatic door operator according to this aspect of the present invention solves or at least mitigates one or more of the problems or drawbacks identified in the background section above.

[0013] A second aspect of the present invention is a door operating system, comprising an automatic door operator according to the first aspect, a door frame, a swing door assembly having a door leaf rotationally supported by the door frame, and a linkage mechanism connecting the automatic door operator to the door leaf.

[0014] A third aspect of the present invention is a method for providing user interaction with an automatic door operator in a door operating system which furthermore comprises a door frame, a swing door assembly having a door leaf rotationally supported by the door frame, and

a linkage mechanism connecting the automatic door operator to the door leaf. The method comprises: detecting a movement of the door leaf, not caused by a motor of said automatic door operator; identifying a predefined movement matching the detected movement; determining, among different functions of the automatic door operator, a function being associated with the predefined movement; and causing performance of the determined function.

[0015] Preferred embodiments of the invention are defined by the appended dependent claims and are further explained in the detailed description section as well as on the drawings.

[0016] It should be emphasized that the term "comprises/comprising" when used in this specification is taken to specify the presence of stated features, integers, steps, or components, but does not preclude the presence or addition of one or more other features, integers, steps, components, or groups thereof. All terms used in the claims are to be interpreted according to their ordinary meaning in the technical field, unless explicitly defined otherwise herein. All references to "a/an/the [element, device, component, means, step, etc]" are to be interpreted openly as referring to at least one instance of the element, device, component, means, step, etc., unless explicitly stated otherwise. The steps of any method disclosed herein do not have to be performed in the exact order disclosed, unless explicitly stated.

BRIEF DESCRIPTION OF THE DRAWINGS

[0017] Objects, features and advantages of embodiments of the invention will appear from the following detailed description, reference being made to the accompanying drawings.

Fig. 1 is a schematic front view of a door operating system including an automatic door operator for a door leaf of a swing door assembly according to one embodiment.

Fig. 2 is a schematic block diagram of an automatic door operator according to a first embodiment.

Fig. 3 is a schematic block diagram of an automatic door operator according to a second embodiment.

Fig. 4 is a schematic top view illustrating a first example of an intentional manual movement of the door leaf by human intervention, the manual movement serving to cause performance of a certain function which includes a command for initiating, modifying or aborting another one of the different functions of the automatic door operator.

Fig. 5 is a schematic top view illustrating a second example of an intentional manual movement of the door leaf by human intervention.

Fig. 6 is a flowchart diagram illustrating a method for providing user interaction with an automatic door operator in a door operating system according to a first embodiment, the

method involving detection of an intentional manual movement of the door leaf by human intervention.

Fig. 7 is a flowchart diagram illustrating a method for providing user interaction with an automatic door operator in a door operating system according to a second embodiment.

Fig. 8 is a schematic illustration of different functions 60 of the automatic door operator, performable by a controller thereof.

DETAILED DESCRIPTION OF EMBODIMENTS

[0018] Embodiments of the invention will now be described with reference to the accompanying drawings. The invention may, however, be embodied in many different forms and should not be construed as limited to the embodiments set forth herein; rather, these embodiments are provided so that this disclosure will be thorough and complete, and will fully convey the scope of the invention to those skilled in the art. The terminology used in the detailed description of the particular embodiments illustrated in the accompanying drawings is not intended to be limiting of the invention. In the drawings, like numbers refer to like elements.

[0019] Fig. 1 is a schematic front view of a door operating system 1. The door operating system 1 comprises a swing door assembly 10. The swing door assembly 10 includes a door frame 12 and a door leaf 14 which is connected to the door frame 12 by door hinges 16 and hence supported by the door frame 12 for pivotal motion around a rotational axis 18.

[0020] The door leaf 14 may be a door design made from one or more suitable materials such as wood, metal, plastic, glass or composite material. In some embodiments, the door leaf 14 is a fire proof door leaf having a fire resistant core made of various materials, as is generally well known in the art. Fire doors are arranged to stop or delay the transfer of thermal energy, i.e. heat, from one side of the door to another side.

[0021] In the disclosed embodiment, the swing door assembly 10 comprises a single door leaf 14. In other embodiments, the swing door assembly 10 may instead comprise a pair of door leaves, as is generally well known in the art.

[0022] The door operating system 1 also includes an automatic door operator 30 and a linkage mechanism 20 connecting the automatic door operator 30 to the door leaf 14. The door operator 30 may be arranged in conjunction with the door frame 12, typically as a concealed overhead installation in or at the door frame 12.

[0023] Via the linkage mechanism 20, the automatic door operator 30 may serve to provide automatic opening and sometimes closing of the door leaf 14 in various possible applications including, for instance, facilitating a disabled person's access to his or her private home,

providing access through entrance ports or internal doors at office premises, industries or retail stores, providing comfort access to hotel rooms, etc. The automatic door operator 30 may also be used in different fire door applications.

[0024] A first embodiment of the automatic door operator 30 is shown in Fig. 2. The automatic door operator 30 comprises a motor 34, typically an electrical motor, being connected to a transmission 35. An output shaft 35a of the transmission 35 rotates upon activation of the motor 34 and is connected to the linkage mechanism 20. The linkage mechanism 20 translates the motion of the output shaft 35a into an opening motion of the door leaf 14 with respect to the door frame 12.

[0025] The automatic door operator 30 also comprises a controller 31 which is configured for performing different functions of the automatic door operator 30. Such different functions are schematically illustrated at 60 in Fig 8. One or more of the functions relates to opening of the door leaf 14 with respect to the door frame 12. Accordingly, the controller 31 has a control output 31a connected to the motor 34 for controlling the actuation thereof.

[0026] A revolution counter 33, such as an encoder or other angular sensor, is provided at the motor 34 to monitor the revolution of a motor shaft of the motor 34. The revolution counter is connected to an input 31b of the controller 31. The controller 31 is configured to use one or more readings of the revolution counter 33 for determining a current angular position of the door leaf 14.

[0027] The controller 31 may be implemented in any known controller technology, including but not limited to microcontroller, processor (e.g. PLC, CPU, DSP), FPGA, ASIC or any other suitable digital and/or analog circuitry capable of performing the intended functionality.

[0028] The controller 31 has an associated memory 32. The memory 32 may be implemented in any known memory technology, including but not limited to E(E)PROM, S(D)RAM or flash memory. In some embodiment, the memory 32 may be integrated with or internal to the controller 31. The memory 32 may store program instruction for execution by the controller 31, as well as temporary and permanent data used by the controller 31.

[0029] A second embodiment of the automatic door operator 30 is shown in Fig. 3. The second embodiment is intended for fire door applications. As for the first embodiment, the second embodiment of the automatic door operator 30 comprises a controller 31, memory 32, revolution counter 33, motor 34 and transmission 35. In addition to this, the second embodiment of the automatic door operator 30 comprises a forced close arrangement 36 adapted to provide mechanical energy via a transfer mechanism 37 to the linkage 20, so as to cause forced closing of the door leaf 14 with respect to the door frame 12 in the event of a fire alarm.

[0030] In the disclosed embodiment, the forced close arrangement 36 comprises a helical compression spring. During opening of the door, the compression spring is tensioned by the

rotation of the output shaft 35a. During the forced closing cycle, the accumulated spring force is transferred to the output shaft 35 by means of the transfer mechanism 37 which in the disclosed embodiment includes a pressure roller that acts on a cam curve being connected to the output shaft 35a. In other embodiments, the forced close arrangement 36 may comprise a different kind of spring, and the transfer mechanism 37 may comprise a different kind of mechanism.

[0031] The controller 31 may receive an external fire alarm signal via a control input 31d and generate a control signal 36a to the forced close arrangement 36, so as to cause release of the accumulated spring force.

[0032] Embodiments of the novel and inventive way of providing human interaction with the automatic door operator 30 will now be described with reference to the remaining figures. As will be clear from the following, the controller 31 in the automatic door operator 30 is configured to detect intentional manual movements of the door leaf 14 in certain given situations, and to use such detected movements as commands for controlling one or more of the functions 60 of the automatic door operator 30. Corresponding methods are described in Figs. 6 and 7.

[0033] First, as seen in Fig 8, the automatic door operator 30 has various different functions 60, performable by the controller 31. The functions include a first group of functions 61-1, 61-2, ..., 61-n which can be seen as ordinary functions of a typical automatic door operator, relating to various aspects of automatic door opening and closing as well as possible other automatic functions related to, for instance fire alarms. Hence, the first group of functions 61-1, 61-2, ..., 61-n may consist of functions which are known *per se* from typical automatic door openers available on the market.

[0034] In addition, a second group of functions 61-A, 61-B, ..., is provided (the group may consist of an arbitrary number of functions including a single function). According to the invention, the functions 61-A, 61-B, ... comprise respective commands 62-A, 62-B,... for initiating, modifying or aborting respective functions 61-n, 61-1 of the first group of functions 61-1, 61-2, ..., 61-n of the automatic door operator performable by the controller 31. Examples will be given later with reference to Figs 4 and 5.

[0035] Reference is now made to Fig. 6 which illustrates a method for providing user interaction with the automatic door operator 30 according to a first embodiment. The method involves detection of an intentional manual movement of the door leaf 14 by human intervention and includes the following steps.

[0036] In step 42 in Fig 6, the controller 31 is configured to detect a movement of the door leaf 14. The movement is not caused by the motor 34 but rather by human intervention to cause intentional manual movement of the door leaf 14. Since the controller 31 is in control of the actuation of the motor 34, the controller 31 may easily recognize when a movement is not caused by the motor 34.

[0037] The controller 31 is configured to use one or more readings of the revolution counter 33 for determining a current angular position of the door leaf 14. The controller 31 is configured to use the determined current angular position for detecting the movement of the door leaf 14. For embodiments like in Fig. 1, where the swing door assembly 10 comprises a single door leaf 14, the movement will of course be detected for this single door leaf. In other embodiments where the swing door assembly 10 comprises a pair of door leaves, the movement may be detected for one of the door leaves in the pair.

[0038] In step 44 in Fig 6, the controller 31 is configured to identify a predefined movement which matches the detected movement. To this end, the memory 32 may be adapted to store a definition 32a of such a predefined movement. The definition may comprise data representing a defined door leaf angle (such as any of angles α or β seen in Figs 4 or 5). The defined door leaf angle may be expressed as an absolute angle between the door leaf 14 and the door frame 12, or as a relative angle between the door leaf 14 and a reference door leaf angle representing either an open position (such as position γ in Figs 4 and 5) or a closed position (such as position δ in Figs 4 and 5) of the door leaf 14 with respect to the door frame 12.

[0039] In step 46 in Fig 6, the controller 31 is configured to determine, among the different functions 60 of the automatic door operator 30, a function 61-A or 61-B being associated with the predefined movement. To this end, the memory 32 may advantageously be adapted to store definitions of a plurality of predefined movements and respective functions 61-A, 61-B being associated therewith. Hence, the controller 31 may be configured to compare the detected movement to the definitions of the plurality of predefined movements, and identify the predefined movement as the one among the plurality of predefined movements the definition of which matches the detected movement.

[0040] In step 48 in Fig 6, the controller 31 is configured to cause performance of the determined function 61-A or 61-B. Advantageously, the determined function 61-A, 61-B comprises a command 62-A, 62-B for initiating, modifying or aborting another one 61-n, 61-1 of the different functions 60 of the automatic door operator performable by the controller 31. Hence, advantageously, the determined function 61-A or 61-B is determined among the second group of functions as explained above with reference to Fig. 8. The command 62-A or 62-B comprised in the determined function 61-A or 61-B accordingly initiates, modifies or aborts one of the functions in the first group of functions 61-1, 61-2, ..., 61-n, as explained above with reference to Fig. 8.

[0041] For instance, in the example given in Fig. 8, when the determined function is function 61-A in the second group of functions, its command 62-A initiates, modifies or aborts function 61-n in the first group of functions. When the determined function is function 61-B in the second group of functions, its command 62-B initiates, modifies or aborts function 61-1 in the first group of functions.

[0042] Reference is now made to Fig. 7 which illustrates a method for providing user

interaction with the automatic door operator 30 according to a second embodiment. Just as for the method of Fig. 6, the method of Fig. 7 involves detection of an intentional manual movement of the door leaf 14 by human intervention. Accordingly, the method of Fig. 7 includes steps 52, 54, 56 and 58 which are identical or at least essentially identical to the steps 42, 44, 46 and 48 of the method of Fig. 6.

[0043] In addition, according to the method of Fig. 7, the controller 31 is configured to determine a time duration t_{dur} during which the current angular position of the door leaf 14 has satisfied the defined door leaf angle (such as any of angles α or β seen in Figs 4 or 5) in the definition of the predefined movement, and to cause the performance of the determined function only if the determined time duration t_{dur} exceeds a threshold time t_{min} . This functionality is seen in step 57 of Fig. 7 and has an advantage in that it eliminates or at least reduces the risk for spurious - as contrasted to intended - intervention with the door leaf 14.

[0044] The value of t_{min} may be set to an appropriate value, such as for instance n seconds, where $1.0 \leq n \leq 5.0$. In the embodiments described below for Figs. 4 and 5, t_{min} may be set to, for instance, about 2 seconds. The value of t_{min} may be configurable in some embodiments.

[0045] A number of use cases will now be described with reference to Figs 4 and 5.

Use case 1 - Aborting Hold Open

[0046] In this use case, one of the functions in the first group of functions 61-1, 61-2, ..., 61- n in Fig. 8 is a hold open function. Certain requirements, for instance ANSI 156.19, requires a minimum hold open time of, e.g., 5 seconds after opening of a door leaf by an automatic door opener. This feature is often convenient, for instance when the automatic door opener is used for a hotel room and the user carries luggage for instance when entering the hotel room for the first time. Another example is when a handicapped person enters through a restroom door.

[0047] However, in other situations, the hold open might potentially be very inconvenient when, for instance, the automatic door opener is used in a restroom or hotel room. The inconvenience is since the door is kept open for seconds after the user has passed, the integrity of the user may be compromised by the external visibility into the room through an open door, or the opportunity for a trespasser to sneak into the room through the still open door.

[0048] Thanks to the present invention, a physical push or pull of the door towards the closed position by a number of degrees will in effect cancel this time delay. There is no need to install a separate push button or off switch to achieve such cancellation of the automatic hold open function. The present inventors have realized that the natural response for a person who is intimidated by an undesired hold open period will be to try and close the door by physically pulling or pushing it towards the closed position. Hence, the use case is believed to be

advantageous also in the sense that the user will quite possibly need no prior knowledge on how to operate the door in order to abort the hold open period.

[0049] The use case above is seen at a schematic level in Fig. 4, where the user makes an intentional manual movement 19a of the door leaf 14 to cause abortion of the automatic hold open function if the movement of the door leaf 14 occurs during the automatic hold open period. The intentional movement 19a of the door leaf 14 is at least α' degrees from the open position γ towards the closed position δ of the door leaf 14. Hence, in this use case, the defined door leaf angle α in the definition of the predefined movement is α' degrees less than the reference door leaf angle of the door leaf 14 in the open position γ . The value α' of the defined door leaf angle α may be a preset suitable value, such as for instance any value between 5 and 20 degrees, and may optionally be configurable. Other values less than 5 degrees or more than 20 degrees are however also possible; for instance values less than 5 degrees may be appropriate in some applications.

[0050] The controller 31 detects the intentional movement 19a, finds that it matches the predefined movement, determines that the predefined movement is associated with a function (among functions 61-A and 61-B in Fig. 8), and causes the determined function to be performed by executing the command (62-A or 62-B) comprised therein. The command causes abortion of the automatic hold open function (among functions 61-1, 61-2, ..., 61-n in Fig. 8), whereupon the door leaf 14 will be immediately closed.

Use case 2 - Manual Hold Open

[0051] Also in this use case, the different functions 60 of the automatic door operator performable by the controller 31 include an automatic hold open function to keep the door leaf 14 open during an automatic hold open period. However, the determined function in this use case is instead to *initiate* the automatic hold open function when the door leaf is initially in a closed position. This use case is illustrated in Fig. 5.

[0052] In this use case, the defined door leaf angle β in the definition of the predefined movement is β' degrees more than the reference door leaf angle of the door leaf 14 in the open position γ . The predefined movement is hence defined as a movement of the door leaf 14 from the closed position δ towards and β' degrees past the open position γ . The value β' of the defined door leaf angle β may be a preset suitable value, such as for instance any value between 0,1 degrees and 10 degrees, and may optionally be configurable. In some embodiments, the value is preferably between 0,5 degrees and 1 degree. Other values, even larger than 10 degrees, are however also possible.

[0053] The controller 31 detects an intentional movement 19b, finds that it matches the predefined movement, determines that the predefined movement is associated with a function (among functions 61-A and 61-B in Fig. 8), and causes the determined function to be performed by executing the command (62-A or 62-B) comprised therein. The command

causes initiation of the automatic hold open function (among functions 61-1, 61-2, ..., 61-n in Fig. 8), whereupon the door leaf 14 will be held open. The hold open period may be the same as for a normal (automatic) hold open (for instance 5 s), or it may be a different period of time, such as for instance 2 s.

Use case 3 - Generate fire alarm

[0054] This use case is particularly suitable for the fire door embodiment of Fig. 3. In this use case, the different functions 60 of the automatic door operator performable by the controller 31 include generation of a fire alarm, and the determined function is to initiate the generation of the fire alarm.

[0055] Accordingly, similar to the aforementioned Fig. 4, the user may make an intentional manual movement 19a of the door leaf 14 to cause generation of a fire alarm when the door leaf 14 open. The intentional movement 19a of the door leaf 14 is at least α' degrees from the open position γ towards the closed position δ of the door leaf 14. Hence, in this use case, the defined door leaf angle α in the definition of the predefined movement is α'' degrees less than the reference door leaf angle of the door leaf 14 in the open position γ . The value α'' of the defined door leaf angle α may be a preset suitable value, such as for instance any value between 5 and 20 degrees, and may optionally be configurable. Other values less than 5 degrees or more than 20 degrees are however also possible; for instance values less than 5 degrees may be appropriate in some applications.

[0056] The controller 31 detects the intentional movement 19a, finds that it matches the predefined movement, determines that the predefined movement is associated with a function (among functions 61-A and 61-B in Fig. 8), and causes the determined function to be performed by executing the command (62-A or 62-B) comprised therein. The command causes generation of the fire alarm by invoking a fire alarm function (among functions 61-1, 61-2, ..., 61-n in Fig. 8), whereupon the fire alarm may be generated. This may involve sending a control signal to an external system using an output 31e seen in Fig. 3. This may also involve sending a control signal 36a (Fig. 2) to the forced close arrangement 36.

Use case 4 - Reset after fire alarm

[0057] Also in this use case, the different functions 60 of the automatic door operator 30 performable by the controller 31 include generation of a fire alarm. However, in this use case, the determined function is instead to *reset* the automatic door operator 30 after a fire alarm has been generated.

[0058] In this use case, similar to the aforementioned Fig. 5, the defined door leaf angle β in the definition of the predefined movement is β'' degrees more than the reference door leaf

angle of the door leaf 14 in the open position γ . The predefined movement is hence defined as a movement of the door leaf 14 from the closed position δ towards and β " degrees past the open position γ . The value β " of the defined door leaf angle β may be a preset suitable value, such as for instance any value between 0,1 degrees and 10 degrees, and may optionally be configurable. In some embodiments, the value is preferably between 0,5 degrees and 1 degree. Other values, even larger than 10 degrees, are however also possible.

[0059] The controller 31 detects an intentional movement 19b, finds that it matches the predefined movement, determines that the predefined movement is associated with a function (among functions 61-A and 61-B in Fig. 8), and causes the determined function to be performed by executing the command (62-A or 62-B) comprised therein. The command causes reset of the automatic door operator 30 after a fire alarm has been generated. In turn, an automatic hold open function may then be invoked in some embodiments.

[0060] The invention has been described above in detail with reference to embodiments thereof. However, as is readily understood by those skilled in the art, other embodiments are equally possible within the scope of the present invention, as defined by the appended claims.

REFERENCES CITED IN THE DESCRIPTION

Cited references

This list of references cited by the applicant is for the reader's convenience only. It does not form part of the European patent document. Even though great care has been taken in compiling the references, errors or omissions cannot be excluded and the EPO disclaims all liability in this regard.

Patent documents cited in the description

- [US4952080A \[0005\]](#)

Patentkrav

1. Automatisk døråbner (30) til en svingdørsenhed (10) med en dørløj (14),
der er roterende understøttet af en dørramme (12) og en forbindelsesmekani-
5 nisme (20), der forbinder den automatiske døråbner med dørløjen (14),
hvor den automatiske døråbner omfatter:
en motor (34) til at bevirke åbning af dørløjen (14) i forhold til dørrammen (12);
og
en styreenhed (31), der er konfigureret til at udføre forskellige funktioner (60)
10 af den automatiske døråbner, hvor de forskellige funktioner (60) omfatter en
første gruppe af funktioner (61-1... 61-n) relateret til forskellige aspekter af au-
tomatisk døråbning og -lukning, og en anden funktion eller gruppe af funktioner
(61-A, 61-B), der omfatter respektive kommandoer (62-A, 62-B,...) til at starte,
ændre eller afbryde respektive funktioner af den første gruppe af funktioner
15 (61-1...61-n),
hvor styreenheden (31) er konfigureret til at:
detektere en bevægelse af dørløjen (14), der ikke er forårsaget af motoren
(34);
identificere en foruddefineret bevægelse, der passer til den detekterede be-
20 vægelse;
bestemme, blandt de forskellige funktioner, en funktion (61-A, 61-B), der er
tilknyttet den foruddefinerede bevægelse; og
forårsage udførelse af den bestemte funktion,
kendetegnet ved, at den automatiske døråbner (30) omfatter en tvangsluk-
ningsindretning (36), der er indrettet til at tilvejebringe mekanisk energi via en
25 overføringsmekanisme (37) til forbindelsen (20), for således at forårsage tvun-
gen lukning af dørløjen i forhold til dørrammen (12) i tilfælde af brandalarm,
og
hvor den bestemte funktion er at nulstille den automatiske døråbner (30), efter
30 at brandalarmen er blevet genereret.

2. Automatisk døråbner (30) ifølge krav 1, hvor den foruddefinerede bevægelse repræsenterer en bevidst manuel bevægelse (19a; 19b) af dørløjen (14) ved menneskelig indgriben.

5 **3.** Automatisk døråbner (30) ifølge krav 1 eller 2, yderligere omfattende en hukommelse (32), hvor hukommelsen lagrer en definition (32a) af den foruddefinerede bevægelse, hvor definitionen omfatter data, der repræsenterer en defineret dørløjsvinkel (α , β) udtrykt som en absolut vinkel mellem dørløjen (14) og dørrammen (12), eller som en relativ vinkel mellem dørløjen (14) og en
10 referencedørløjsvinkel, der repræsenterer enten en åben position (γ) eller en lukket position (δ) af dørløjen (14) i forhold til dørrammen (12).

4. Automatisk døråbner (30) ifølge krav 3, hvor hukommelsen (32) lagrer definitioner af en flerhed af foruddefinerede bevægelser og respektive funktioner
15 (61-A, 61-B), der er forbundet dermed, og hvor styreenheden (31) er konfigureret til at sammenligne den detekterede bevægelse med definitionerne af flerheden af foruddefinerede bevægelser og identificere den foruddefinerede bevægelse som den blandt flerheden af foruddefinerede bevægelser, hvis definition passer til den detekterede bevægelse.

20 **5.** Automatisk døråbner (30) ifølge krav 3 eller 4, hvor styreenheden (31) er konfigureret til at bestemme en aktuel vinkelposition af dørløjen (14) og til at bruge den bestemte aktuelle vinkelposition til at detektere bevægelsen af dørløjen (14).

25 **6.** Automatisk døråbner (30) ifølge krav 5, yderligere omfattende en omdrejningstæller (33) til motoren (34), hvor omdrejningstælleren er forbundet med en indgang (31b) på styreenheden (31), hvor styreenheden er konfigureret til at bruge en eller flere aflæsninger af omdrejningstælleren (33) til at bestemme
30 den aktuelle vinkelposition af dørløjen (14).

- 5 **7.** Automatisk døråbner (30) ifølge krav 5 eller 6, hvor styreenheden (31) er konfigureret til at bestemme en tidsvarighed (t_{dur}), i hvilken den aktuelle vinkelposition af dørløjen (14) har opfyldt den definerede dørløjsvinkel (α , β) i definitionen af den foruddefinerede bevægelse, og kun at forårsage udførelsen af den bestemte funktion, hvis den bestemte tidsvarighed (t_{dur}) overstiger en tærskeltid (t_{min}).
- 10 **8.** Automatisk døråbner (30) ifølge et hvilket som helst af de foregående krav, hvor den bestemte funktion (61-A, 61-B) omfatter en kommando (62-A, 62-B) til at starte, ændre eller afbryde en anden (61- n, 61-1) af de forskellige funktioner (60) af den automatiske døråbner, der kan udføres af styreenheden (31).
- 15 **9.** Automatisk døråbner (30) ifølge et hvilket som helst af de foregående krav, hvor styreenheden (31) er konfigureret til at modtage et eksternt brandalarm-signal.
- 20 **10.** Automatisk døråbner (30) ifølge et hvilket som helst af kravene 1-8, hvor de forskellige funktioner (60) af den automatiske døråbner, der kan udføres af styreenheden (31), omfatter generering af en brandalarm.
- 11.** Automatisk døråbner (30) ifølge et hvilket som helst af de foregående krav, hvor svingdørsenheden (10) omfatter en enkelt dørløj (14), og hvor bevægelsen detekteres for den enkelte dørløj.
- 25 **12.** Automatisk døråbner (30) ifølge et hvilket som helst af kravene 1 til 10, hvor svingdørsenheden (10) omfatter et par dørløje, og hvor bevægelsen detekteres for en af dørløjerne i parret.

13. Automatisk døråbner (30) til en svingdørsenhed (10) med en dørløj (14), der er roterende understøttet af en dørramme (12), og en forbindelsesmekanisme (20), der forbinder den automatiske døråbner med dørløjen (14), hvor den automatiske døråbner omfatter:

5 en motor (34) til at bevirke åbning af dørløjen (14) i forhold til dørrammen (12);
og

en styreenhed (31), der er konfigureret til at udføre forskellige funktioner (60) af den automatiske døråbner, hvor de forskellige funktioner (60) omfatter en første gruppe af funktioner (61-1... 61-n) relateret til forskellige aspekter af au-
10 tomatisk døråbning og -lukning, og en anden funktion eller gruppe af funktioner (61-A, 61-B), der omfatter respektive kommandoer (62-A, 62-B,...) til at starte, ændre eller afbryde respektive funktioner af den første gruppe af funktioner (61-1...61-n),

hvor styreenheden (31) er konfigureret til at:

15 detektere en bevægelse af dørløjen (14), der ikke er forårsaget af motoren (34);

identificere en foruddefineret bevægelse, der passer til den detekterede be-
vægelse;

bestemme, blandt de forskellige funktioner, en funktion (61-A, 61-B), der er
20 tilknyttet den foruddefinerede bevægelse; og

forårsage udførelse af den bestemte funktion,

kendetegnet ved, at

den automatiske døråbner (30) omfatter en tvangslukningsindretning (36), der
er indrettet til at tilvejebringe mekanisk energi via en overføringsmekanisme
25 (37) til forbindelsen (20), for således at forårsage tvungen lukning af dørløjen i forhold til dørrammen (12) i tilfælde af brandalarm, og

hvor de forskellige funktioner (60) af den automatiske døråbner, der kan udfø-
res af styreenheden (31), inkluderer generering af en brandalarm, og hvor den
bestemte funktion er at initiere genereringen af brandalarmen for at forårsage
30 tvungen lukning af dørløjen 14 i forhold til dørrammen 12 i tilfælde af brand-
alarm.

14. Automatisk døråbner (30) ifølge krav 13, hvor den foruddefinerede bevægelse repræsenterer en bevidst manuel bevægelse (19a; 19b) af dørløjen (14) ved menneskelig indgriben.

5

15. Automatisk døråbner (30) ifølge krav 13 eller 14, yderligere omfattende en hukommelse (32), hvor hukommelsen er indrettet til at lagre en definition (32a) af den foruddefinerede bevægelse, hvor definitionen omfatter data, der repræsenterer en defineret dørløjsvinkel (α , β) udtrykt som en absolut vinkel mellem dørløjen (14) og dørrammen (12), eller som en relativ vinkel mellem dørløjen (14) og en referencedørløjsvinkel, der repræsenterer enten en åben position (γ) eller en lukket position (δ) af dørløjen (14) i forhold til dørrammen (12).

10

16. Dørbetjeningssystem (1), omfattende:

15

en automatisk døråbner (30) ifølge et hvilket som helst af kravene 1-15;

en dørramme (12); og

en svingdørsenhed (10) med en dørløje (14), der er roterende understøttet af dørrammen (12).

20

17. Fremgangsmåde (40; 50) til at tilvejebringe brugerinteraktion med en automatisk døråbner (30) ifølge et hvilket som helst af kravene 1-15 i et dørbetjeningssystem, som endvidere omfatter en dørramme (12), en svingdørsenhed (10) med en dørløje (14), der er roterende understøttet af dørrammen (12), en forbindelsesmekanisme (20), der forbinder den automatiske døråbner til dørløjen (14) og en tvangslukningsindretning (36), der er indrettet til at tilvejebringe mekanisk energi via en overførselsmekanisme (37) til forbindelsen (20) for at forårsage tvungen lukning af dørløjen (14) i forhold til dørrammen (12) i tilfælde af en brandalarm, hvilken fremgangsmåde omfatter:

25

at detektere (42; 52) en bevægelse af dørløjen (14), der ikke er forårsaget af en motor (34) af den automatiske døråbner (30);

30

at identificere (44; 54) en foruddefineret bevægelse, der passer til den detekterede bevægelse;

at bestemme (46; 56), blandt forskellige funktioner (60) af den automatiske døråbner, en funktion (61-A, 61-B), der er knyttet til den foruddefinerede bevægelse;

5

at forårsage (48; 58) udførelse af den bestemte funktion; og

at tvinge lukningen af dørfløjen (14) i forhold til dørrammen (12) i tilfælde af brandalarm,

hvor den bestemte funktion involverer at sende et styresignal (36a) til tvangslukningsindretningen (36).

10

18. Fremgangsmåde (50) ifølge krav 17, yderligere omfattende:

at bestemme (57) en tidsvarighed (t_{dur}) i hvilken den aktuelle vinkelposition af dørfløjen (14) har opfyldt den definerede dørfløjsvinkel (α , β) i definitionen af den foruddefinerede bevægelse; og

15

at forårsage (58) udførelsen af den bestemte funktion (61-A, 61-B), hvis den bestemte tidsvarighed (t_{dur}) overstiger en tærskeltid (t_{min}).

19. Fremgangsmåden som defineret i krav 17 eller 18, yderligere omfattende:

20

modtagelse af et eksternt brandalarmsignal; og

generering af styresignalet (36a),

hvor det styresignal (36a), der er sendt til tvangslukningsindretningen (36), får den automatiske døråbner (30) til at nulstilles.

25

20. Fremgangsmåde ifølge krav 19, yderligere omfattende:

aktivering af en automatisk funktion til at holde åbningen efter nulstillingen af den automatiske døråbner (30).

21. Fremgangsmåde ifølge krav 17 eller 18, hvor:

30

den bestemte funktion yderligere involverer initiering af genereringen af brandarmen, hvilken fremgangsmåde yderligere omfatter:

at sende styresignalet (36a) til tvangslukningsindretningen (36) ved generering af brandalarmen, hvilket forårsager tvungen lukning af dørfløjen (14) i forhold til dørrammen (12).

DRAWINGS

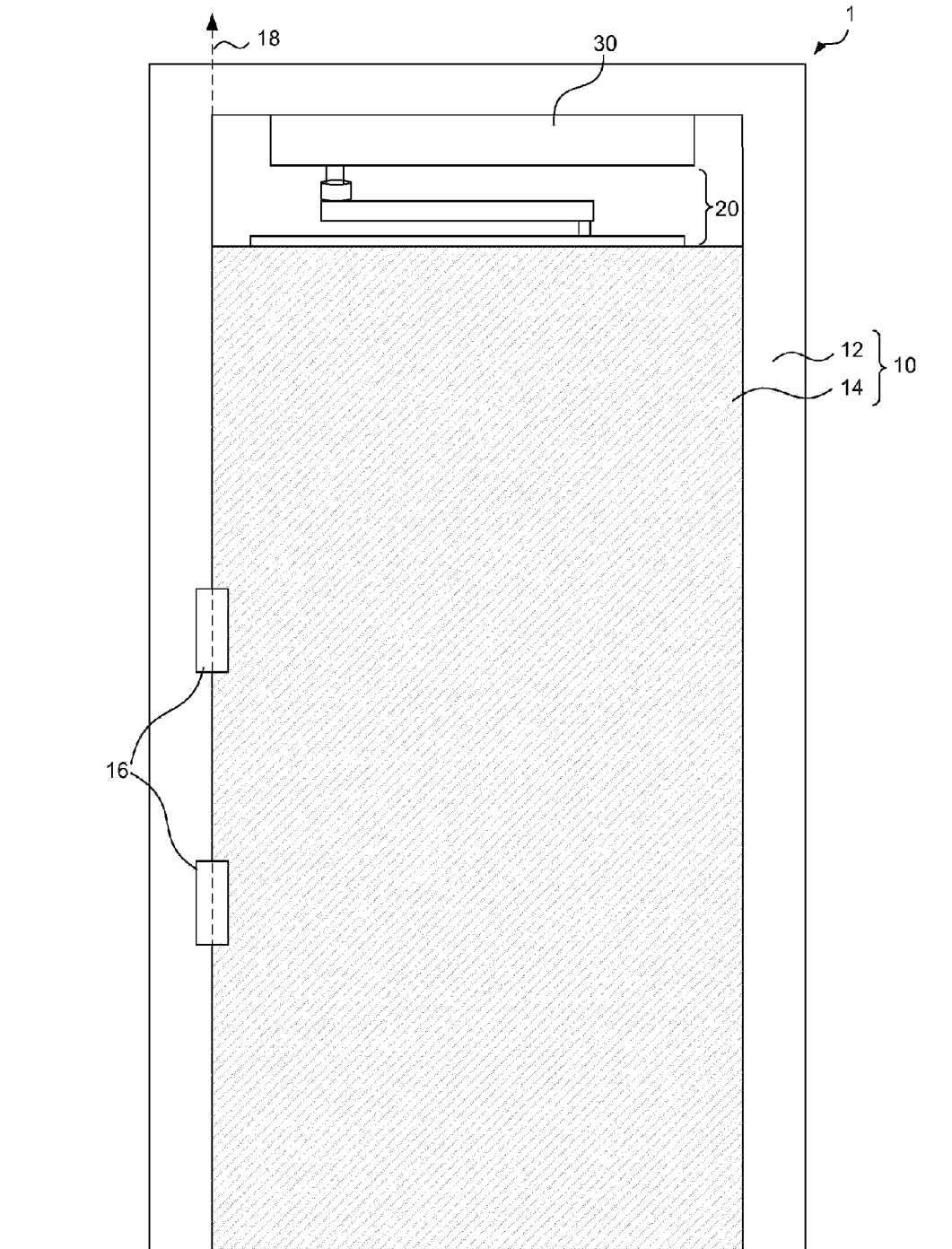


Fig 1

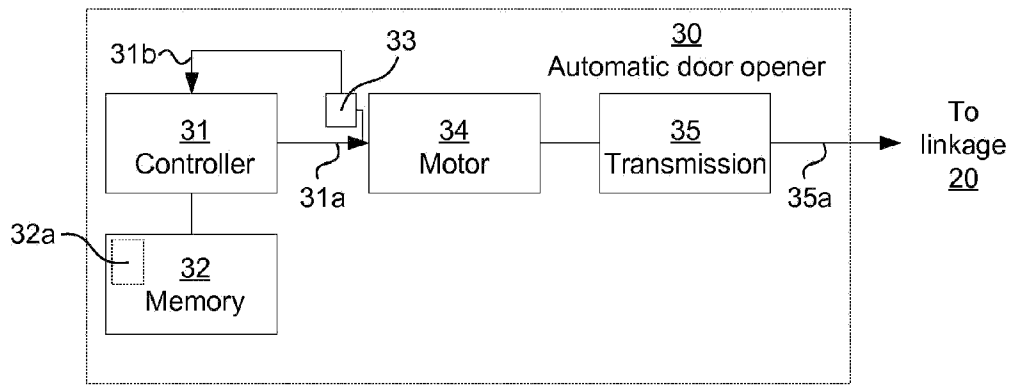


Fig 2

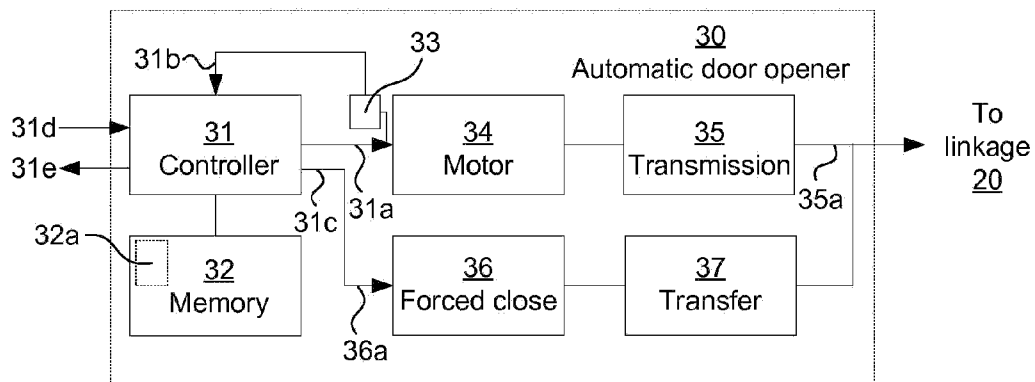


Fig 3

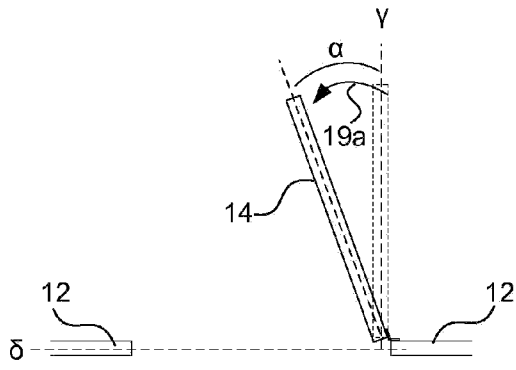


Fig 4

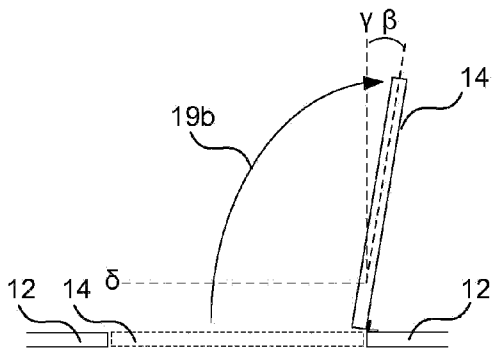


Fig 5

A method for providing user interaction with an automatic door operator in a door operating system:

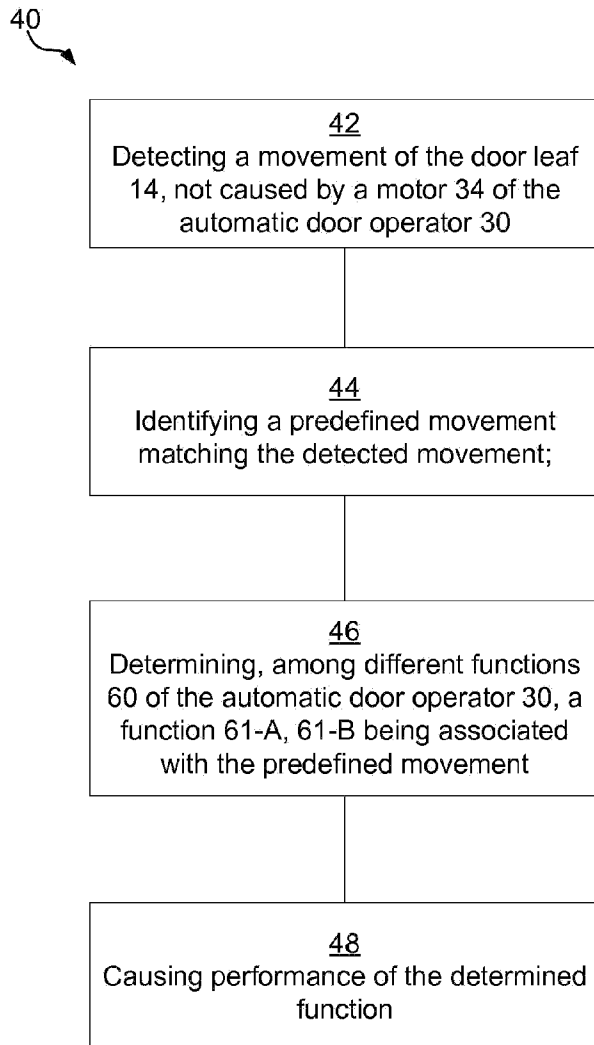


Fig 6

A method for providing user interaction with an automatic door operator in a door operating system:

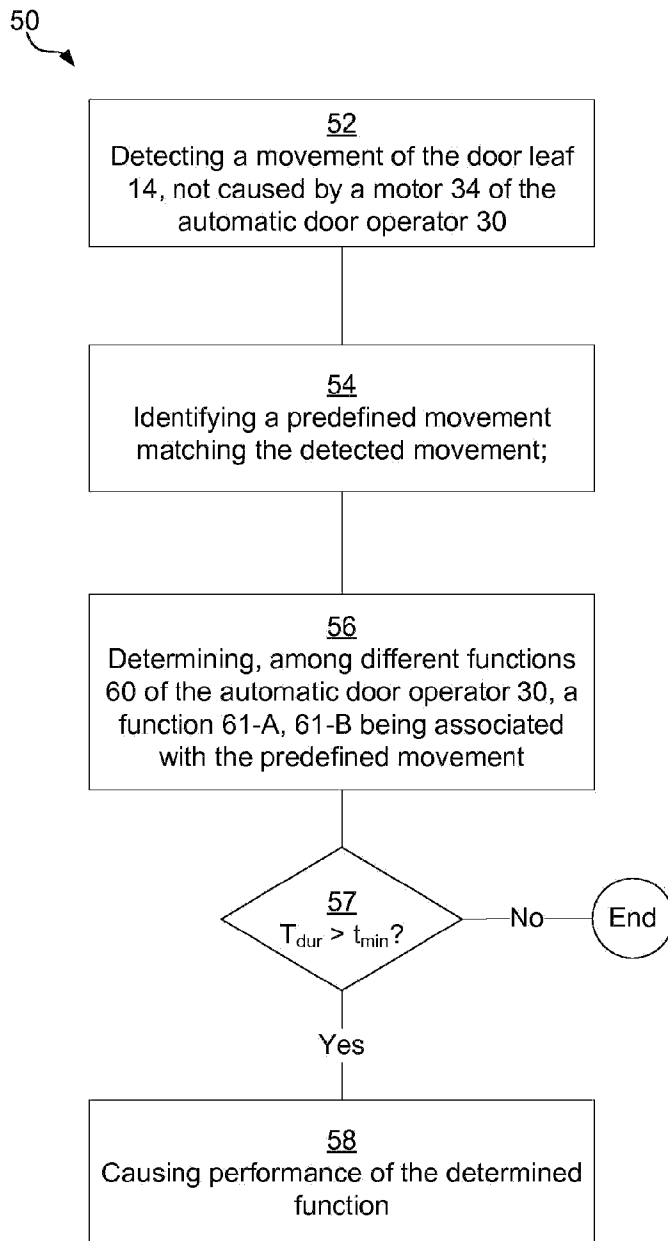


Fig 7

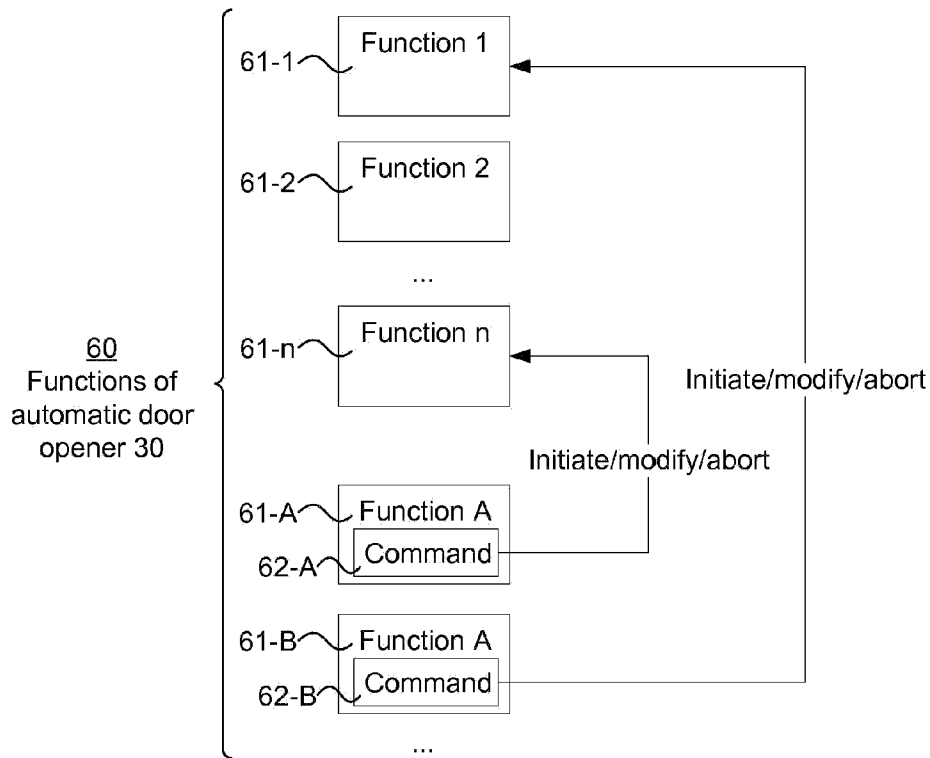


Fig 8