



US00D925337S

(12) **United States Design Patent**
Wortmann et al.

(10) **Patent No.:** **US D925,337 S**

(45) **Date of Patent:** **** Jul. 20, 2021**

(54) **PADLOCK**

(71) Applicant: **ABUS August Bremicker Söhne KG**,
Wetter-Volmarstein (DE)

(72) Inventors: **Guido Jan Wortmann**,
Wetter-Volmarstein (DE); **Martin**
Ulrich, Wetter-Volmarstein (DE)

(73) Assignee: **ABUS August Bremicker Söhne KG**,
Wetter-Volmarstein (DE)

(**) Term: **15 Years**

(21) Appl. No.: **29/718,296**

(22) Filed: **Dec. 23, 2019**

(30) **Foreign Application Priority Data**

Jun. 24, 2019 (EM) 006594123

(51) **LOC (13) Cl.** **08-07**

(52) **U.S. Cl.**
USPC **D8/334**

(58) **Field of Classification Search**
USPC D25/334
CPC E05B 47/00; E05B 67/06; E05B 67/00;
E05B 67/22; E05B 67/02; E05B 67/04;
Y10T 292/087; Y10T 70/413; Y10T
70/428

See application file for complete search history.

(56) **References Cited**

U.S. PATENT DOCUMENTS

9,495,820 B1 * 11/2016 Li E05B 37/0068
D813,645 S * 3/2018 Nguyen D8/334

10,119,303 B2 * 11/2018 Garthe E05B 39/04
10,458,153 B2 * 10/2019 Nguyen E05B 67/10
D866,292 S * 11/2019 Abdul D8/334
10,508,474 B2 * 12/2019 Wyatt E05B 67/38

FOREIGN PATENT DOCUMENTS

CN 304961471 S 12/2018

OTHER PUBLICATIONS

ABUS overseas catalog, "Security and Safety Solutions"; pp. 1-61.
Year: 2012.

* cited by examiner

Primary Examiner — Doris Clark

(74) *Attorney, Agent, or Firm* — Dinsmore & Shohl LLP

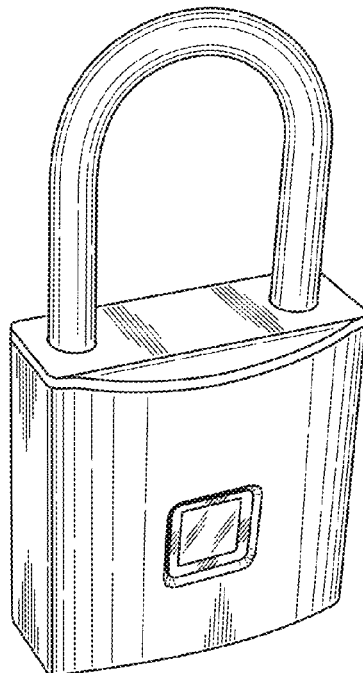
(57) **CLAIM**

The ornamental design for a padlock, as shown and described.

DESCRIPTION

FIG. 1 is a top front perspective view illustrating a padlock;
FIG. 2 is a top rear perspective view of the padlock;
FIG. 3 is a front view of the padlock;
FIG. 4 is a rear side view of the padlock;
FIG. 5 is a left side view of the padlock;
FIG. 6 is a right view of the padlock;
FIG. 7 is a top view of the padlock; and,
FIG. 8 is a bottom view of the padlock.

1 Claim, 8 Drawing Sheets



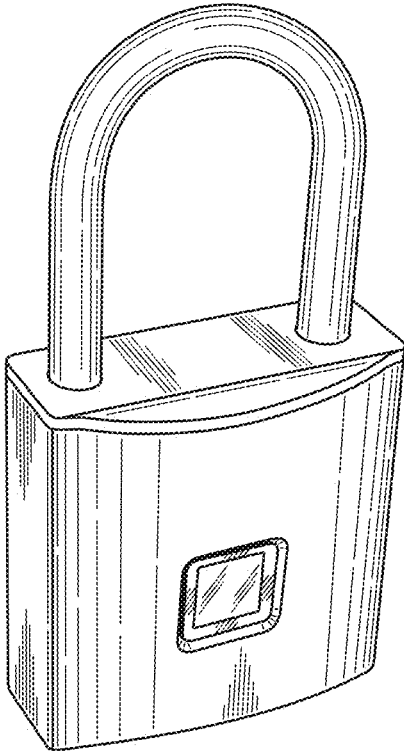


FIG. 1

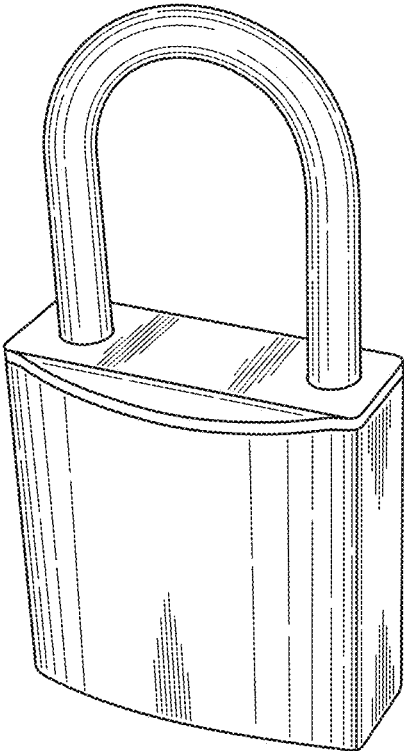


FIG. 2

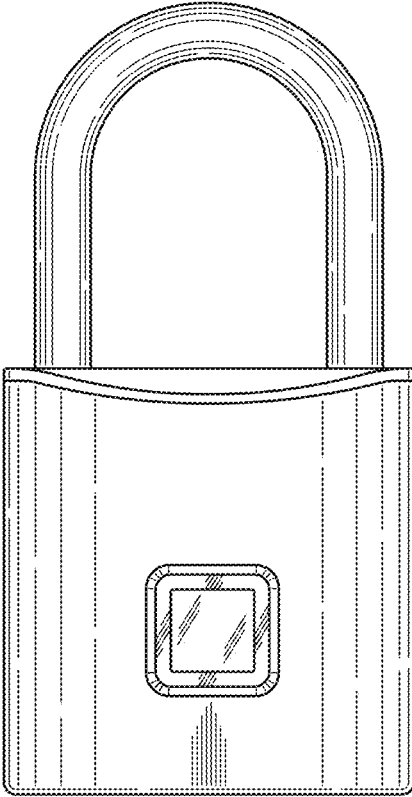


FIG. 3

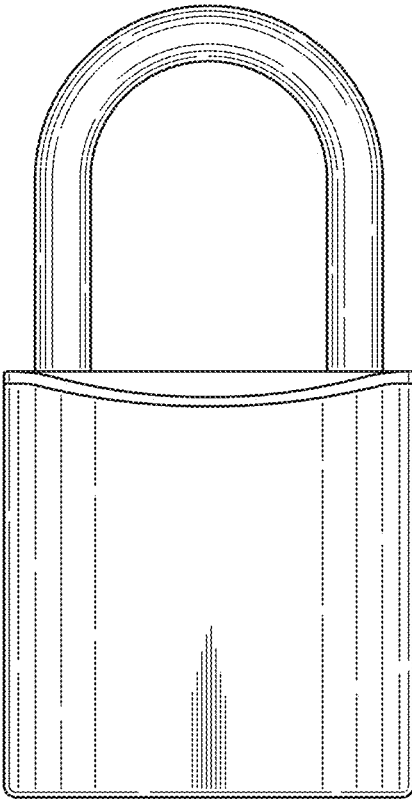


FIG. 4

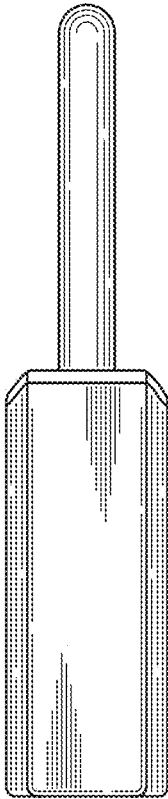


FIG. 5

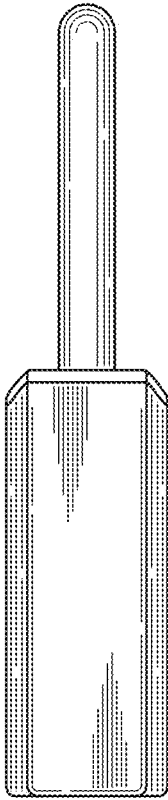


FIG. 6

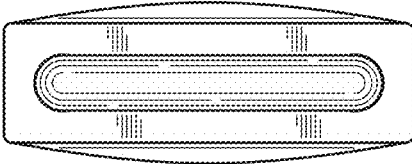


FIG. 7

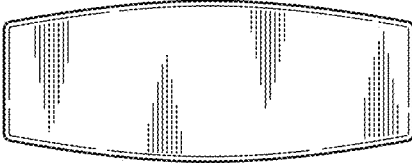


FIG. 8