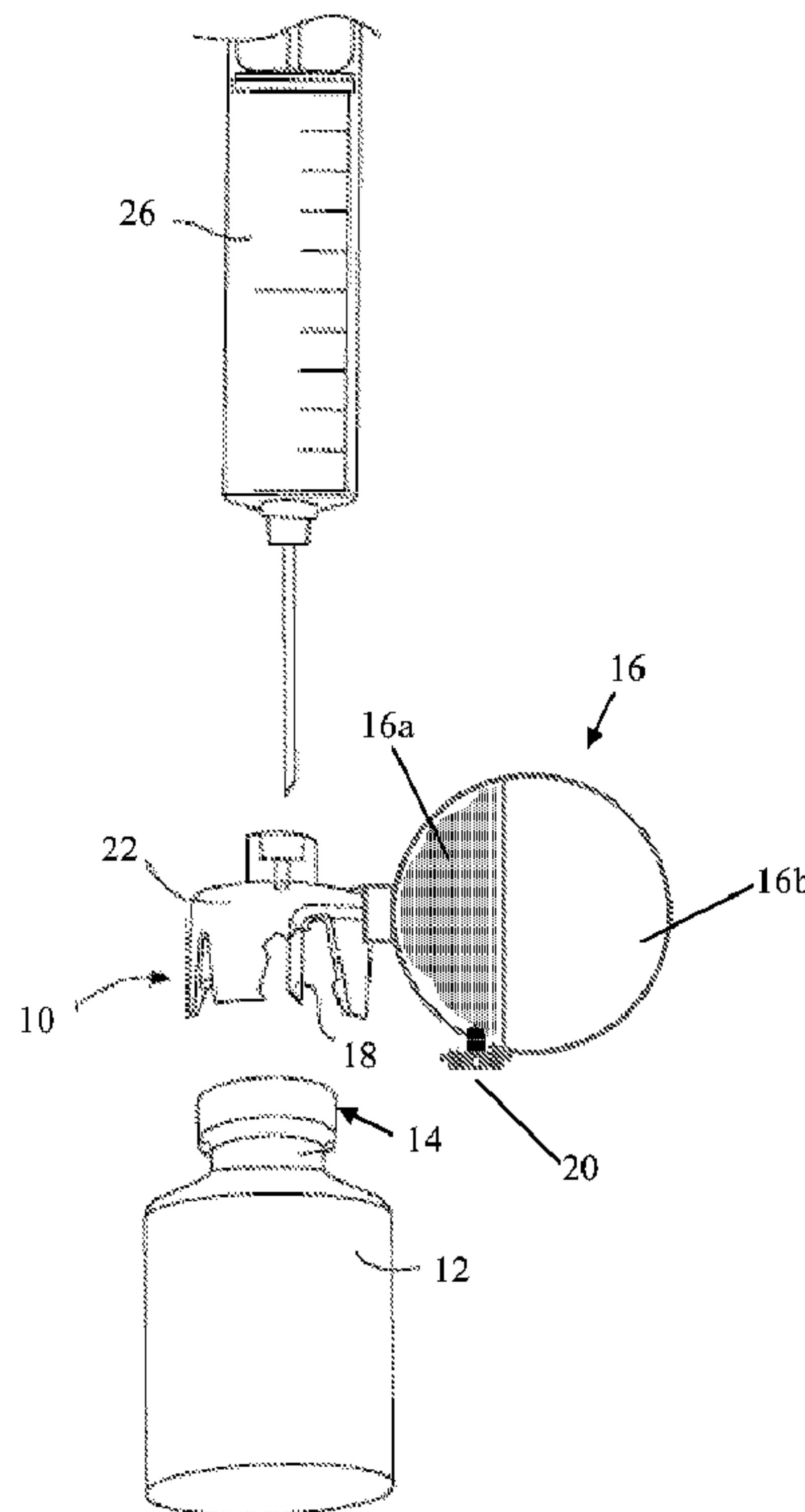




(86) **Date de dépôt PCT/PCT Filing Date:** 2007/06/13
 (87) **Date publication PCT/PCT Publication Date:** 2008/12/18
 (45) **Date de délivrance/Issue Date:** 2015/05/12
 (85) **Entrée phase nationale/National Entry:** 2009/12/11
 (86) **N° demande PCT/PCT Application No.:** SE 2007/050415
 (87) **N° publication PCT/PCT Publication No.:** 2008/153459

(51) **Cl.Int./Int.Cl. A61J 1/20** (2006.01)
 (72) **Inventeur/Inventor:**
 HELMERSON, ELISABET, SE
 (73) **Propriétaire/Owner:**
 CARMEL PHARMA AB, SE
 (74) **Agent:** GOWLING LAFLEUR HENDERSON LLP

(54) **Titre : DISPOSITIF D'EQUILIBRAGE DE LA PRESSION, RECIPIENT ET PROCEDE**
 (54) **Title: PRESSURE EQUALIZING DEVICE, RECEPTACLE AND METHOD**



(57) **Abrégé/Abstract:**

Pressure equalizing device comprising a fluid container for attachment to a receptacle such as a vial to permit pressure equalization between the fluid container and the receptacle. The pressure equalizing device comprises a flow channel that is arranged to

(57) Abrégé(suite)/Abstract(continued):

provide fluid communication into or out of the fluid container when the pressure equalizing device is attached to the receptacle. The pressure equalizing device also comprises a fluid inlet that contains a one-way valve that permits fluid to flow into the fluid container via said fluid inlet and that prevents fluid from flowing out of the fluid container via said fluid inlet and filter-receiving means that are arranged to permit fluid flowing into or out of the fluid container to be filtered when the filter-receiving means comprises a filter.

ABSTRACT

Pressure equalizing device comprising a fluid container for attachment to a receptacle such as a vial to permit pressure equalization between the fluid container and the receptacle. The pressure equalizing device comprises a flow channel that is arranged to provide fluid communication into or out of the fluid container when the pressure equalizing device is attached to the receptacle. The pressure equalizing device also comprises a fluid inlet that contains a one-way valve that permits fluid to flow into the fluid container via said fluid inlet and that prevents fluid from flowing out of the fluid container via said fluid inlet and filter-receiving means that are arranged to permit fluid flowing into or out of the fluid container to be filtered when the filter-receiving means comprises a filter.

PRESSURE EQUALIZING DEVICE, RECEPTACLE AND METHOD

TECHNICAL FIELD

The present invention concerns a pressure equalizing device comprising a fluid container, 5 i.e. liquid and/or gas container, for attachment to a receptacle, such as a vial, to permit pressure equalization between the fluid container and the receptacle. The present invention also concerns a receptacle comprising such a pressure equalizing device.

BACKGROUND OF THE INVENTION

10 When preparing and administering drugs care has to be taken to minimize, or preferably eliminate the risk of exposing people, such as medical and pharmacological personnel, to toxic substances. Safety boxes, cabinets or isolators are often used to prepare drugs to reduce the risk of toxic substances leaking into breathable air. However, such facilities require a lot of space, they are non-portable and can be expensive to install, maintain and 15 repair.

Some drugs must be dissolved or diluted before they are administered, which involves transferring a solvent from one container to a sealed vial containing the drug in powder or liquid form, by means of a needle for example. Drugs may be inadvertently released into 20 the atmosphere in gas form or by way of aerosolization, during the withdrawal of the needle from the vial and while the needle is inside the vial if any pressure differential between the interior of the vial and surrounding atmosphere exists.

This problem may be eliminated or at least minimized by using a pressure equalization 25 device that may be attached to a vial during the preparation of drugs. The pressure equalization device comprises a gas container in communication with the interior of the vial, which ensures that neither an increased pressure nor a vacuum can occur inside the vial when gas or liquid is injected into or withdrawn from the vial. The gas container may be filled with cleaned or sterilized air prior to its use to ensure that the contents of the vial 30 do not become contaminated with air-borne particles such as dust, pollen, mould or bacteria and other undesirable substances.

SUMMARY OF THE INVENTION

An object of the present invention is to provide an improved pressure equalizing device comprising a fluid container, i.e. gas and/or liquid container, for attachment to a
5 receptacle, such as a vial, to permit pressure equalization between the fluid container and the receptacle.

The present invention provides a pressure equalizing device comprising a fluid container and a flow channel that is arranged to provide fluid communication into or out of the fluid
10 container when the pressure equalizing device is attached to the receptacle. The pressure equalizing device also comprises a fluid inlet that contains a one-way valve that permits fluid to flow into the fluid container via said fluid inlet and that prevents fluid from flowing out of the fluid container via said fluid inlet. The pressure equalizing device also comprises filter-receiving means that are arranged to permit fluid flowing into or out of the
15 fluid container to be filtered when the filter-receiving means comprises a filter.

The pressure equalizing device equalizes pressure in the fluid container and the receptacle by allowing filtered fluid to flow into or out of the receptacle (depending on
20 whether the pressure is temporarily greater in the fluid container or the receptacle). The pressure equalizing device thereby provides a simple, closed system that allows for safe and reliable injection or withdrawal of substances, such as toxic drugs, into or out of a receptacle while at least minimizing, or eliminating the risk of the substances contaminating breathable air.

25

According to an embodiment of the invention the filter-receiving means comprises a removable or non-removable filter. As an example, a filter with the mesh size 0.2 μm may be used to remove substantially all particles and micro organisms of that size or larger. The filter may be a sterilizing or aseptisizing filter, such as a particulate air filter, such as a
30 high efficiency particulate air (HEPA) filter to remove gas-borne particles such as dust, pollen, mould or bacteria and thus eliminating or at least reducing the risk of such gas-borne particles from contaminating substances inside the vial. It should be noted that the pressure equalizing device may comprise a plurality of filters of the same type or of different types.

According to an embodiment of the invention the filter-receiving means are located upstream or downstream of the one-way valve in the fluid inlet, which permits fluid to be filtered as it flows into the fluid container when the filter-receiving means comprises a filter. According to another embodiment of the invention the filter-receiving means are
5 located in the flow channel, which permits fluid to be filtered as it flows out of the fluid container into the receptacle when the filter-receiving means comprises a filter.

According to a further embodiment of the invention the fluid container is an air container.

10 According to another embodiment of the invention the fluid inlet is arranged to be in communication with ambient, i.e. non-sterilized air. Since ambient air can be cleaned on site using a sterilizing or asepticizing filter in the pressure equalizing device, neither a sterile environment, nor extra equipment, nor a supply of clean air is necessary to fill the fluid container with cleaned air. The pressure equalizing device according to the present
15 invention may therefore be filled or replenished with cleaned fluid almost anywhere, in a simple manner and at low cost.

According to a further embodiment of the invention the fluid container comprises a flexible portion, such as a bladder, i.e. a portion comprising a flexible or expandable material,
20 whereby the volume of said portion can be increased by drawing fluid into the fluid container and decreased by withdrawing fluid from the fluid container. The fluid container may however be at least partly constituted of a rigid, non-compressible material.

According to an embodiment of the invention the one-way valve is integrally formed with
25 the filter-receiving means or a filter.

According to another embodiment of the invention the filter-receiving means is removable from the fluid container.

30 According to a further embodiment of the invention the pressure equalizing device comprises connecting means, such as a bayonet coupling, luer lock or snap fit mechanism, for attachment of the pressure equalizing device to an injector such as a syringe and/or connecting means, such as a snap fit mechanism for attachment of the pressure equalizing device to a receptacle.

According to an embodiment of the invention at least part of the fluid container is integrally formed with the connecting means, from the same material for example, whereby the material may be a thermoplastic material, such as polyethylene or polypropylene; 5 acrylonitrile butadiene styrene (ABS), polycarbonate, polyester or any other suitable material.

According to another embodiment of the invention the fluid container is detachable from the connecting means.

10

The present invention also concerns a receptacle that comprises a pressure equalizing device according to any of the embodiments of the invention.

According to an embodiment of the invention at least part of the pressure equalizing 15 device is integrally formed with at least one component of the receptacle, such as its cap or sealing means.

The pressure equalizing device according to the present invention is intended particularly, but not exclusively for use as a pressure equalizing device during the preparation or 20 administration of drugs.

BRIEF DESCRIPTION OF THE DRAWINGS

The present invention will hereinafter be further explained by means of non-limiting examples with reference to the appended figures where;

25

Figure 1 shows a pressure equalizing device according to an embodiment of the invention prior to attachment to a vial,

30

Figure 2 shows a pressure equalizing device according to an embodiment of the invention, after attachment to attachment to a vial,

Figure 3 shows part of a fluid container according to a first embodiment of the invention,

- Figures 4 & 5 show part of a pressure equalizing device according to a second embodiment of the invention,
- Figures 6 & 7 show part of a fluid container according to a third embodiment of the invention,
- Figures 8-10 show part of a pressure equalizing device according to a fourth embodiment of the invention, and
- 10 Figures 11-13 show part of a pressure equalizing device according to a fifth embodiment of the invention.

It should be noted that the drawings have not been drawn to scale and that the dimensions of certain features have been exaggerated for the sake of clarity.

15

DETAILED DESCRIPTION OF EMBODIMENTS

Figure 1 shows a pressure equalizing device 10 according to an embodiment of the invention prior to being attached to a vial 12 containing a solid, liquid or gaseous pharmaceutical, biological or veterinary substance. The vial 12 is sealed by means of a cap 14 and/or an elastomeric stopper or membrane. The pressure equalizing device 10 comprises a gas container 16 having a variable volume. The gas container 16 comprises a first portion 16a, such as a plastic parabola coupled to the main body of the pressure equalizing device 10, which comprises a relatively rigid material and a second portion 16b comprising a relatively flexible material, such as a thin, transparent plastic film that is attached to the first portion 16a in a gastight manner. For example, the gas container 16 can be designed as a bellows which is compressible and extendable. The volume of the gas container 16 can thereby be increased and decreased. Although the device illustrated in figure 1 comprises a partly compressible gas container 16, in another embodiment of the invention the gas container 16 can comprise a cylinder and a piston arranged therein so as to enable the volume of the gas container to be changed.

Alternatively, the gas container 16 could be constituted by bellows that are manually expandable and contractible. The gas container 16 illustrated in figure 1 is shown in a fully inflated state. The thick dotted line in figure 2 illustrates the position of the flexible portion 16b when the gas container 16 is in an evacuated and thus fully deflated state.

The gas container 16, which may have a volume of 1 cm³ or less, up to 1 litre or more, depending on the application or size of the receptacle, comprises at least one gas inlet 20 containing a one-way valve and filter-receiving means. The pressure equalizing device 10 comprises connecting means 22, such as a snap fit mechanism for attaching the pressure
5 equalizing device 10 to the neck of a vial 12, which is 1-4 cm in diameter for example and a volume of 50 cm³, whereby the volume of the gas container may be 50 cm³ in its fully inflated state. The pressure equalizing device 10 may of course be dimensioned to be attached to receptacles of any size and volume. The pressure equalizing device 10 also comprises a flow channel 18 that is arranged to provide gas communication between the
10 gas container 16 and the interior of the vial 12 when the pressure equalizing device 10 is connected to the vial 12. Figure 1 also shows a syringe 26 that may be used to inject fluid into the vial 12 or to withdraw fluid therefrom.

Figure 2 shows the pressure equalizing device 10 shown in figure 1 when it has been
15 detachably or non-detachably attached to the vial 12 and when the needle 26a of the syringe 26 has been inserted through the pressure equalizing device 10 into the interior of the vial 12. As the fluid is injected into the vial 12 or withdrawn from the vial 12, the flow channel 18 of the pressure equalizing device permits gas to flow from the interior of the vial 12 into the gas container 16 or from the gas container 16 to the vial 12, and thereby
20 equalizes the pressure in the interior of the vial 12 and in the gas container 16. Gas may enter the gas container 16 via the fluid inlet 20, however gas cannot exit the gas container 16. This eliminates, or at least reduces the risk of any substance inside the vial 12 being released into the atmosphere in gas form or by way of aerosolization during the insertion or withdrawal of the needle 26a from vial 12 or while the needle 26a is inserted in the vial
25 12. It also eliminates, or reduces the risk of the vial 12 deforming due to the increased pressure inside the vial 12, whereby such deformation may cause leakage of the vial's contents due to separation of the vial's cap 14 from the vial's walls for example.

Figure 3 shows the rigid, incompressible part 16a of the gas container 16 shown in figures
30 1 and 2. This part 16a of the gas container comprises the gas inlet 20 that contains a one-way valve 28 that permits gas to flow into the gas container 16 via the gas inlet 20 and that prevents gas from flowing out of the gas container 16 via the gas inlet 20. The gas inlet 20 also comprises filter-receiving means 30 that are located upstream of the one-way valve 28. The gas inlet 20 is arranged to be in communication with ambient air. When a
35 filter is placed in the filter-receiving means 30 ambient air is filtered as it flows into the gas

container 16. The filter may be any suitable commercially available filter, such as a particulate air filter having a pore size of 0.2 μm . In the illustrated embodiment the one-way valve 28 is integrally formed with filter-receiving means 30. This integrated unit may be detachable or non-detachable from the gas container 16. The gas container 16 also
5 comprises a flow channel 18 that provides a gas communication channel into and out of the gas container 16.

The embodiment illustrated in figure 3 includes an integrated one-way valve 28 and filter-receiving 30 unit that is slidably mounted in the plastic parabola 16a of the gas container.
10 The one-way valve 28 comprises an elastic sheath 28a that is arranged to cover an opening 28b and to uncover the opening 28b in its open position. When the pressure outside the gas container 16 exceeds the pressure inside the gas container 16, the integrated one-way valve 28 and filter-receiving means 30 unit is pushed radially inwards in a direction towards the interior of the gas container 16, which causes the elastic sheath
15 28a to abut against a stopper 28c and retract, uncovering the opening 28b and allowing filtered air into the gas container 16. Conversely, when the pressure inside the gas container 16 exceeds the pressure outside the gas container 16 the integrated one-way valve 28 and filter-receiving means 30 unit is arranged to be pushed radially outwards in a direction out of the gas container 16, whereby the elastic sheath 28a extends and covers
20 the opening 28b preventing any more gas from entering the gas container 16 via the air inlet 20. The one way valve 28 is arranged to draw ambient air through the filter 30 and out of the opening 28b into the gas container 16 when the pressure inside the gas container 16 falls below a predetermined pressure, such as atmospheric pressure in order to keep the pressure inside the vial 12 in equilibrium with the pressure on the exterior of
25 the vial 12. Alternatively, the one way valve 28 could be arranged to be opened and closed manually.

Figures 4 and 5 show part of a pressure equalizing device 10 according to a second embodiment of the invention. The pressure equalizing device comprises connecting
30 means 22 for attachment to a receptacle and connecting means 23, namely a bayonet coupling, for attachment to an injector, such as a syringe, and a gas container 16 comprising a plastic parabola 16a and a flexible portion (not shown) that is attached to the plastic parabola 16a. A filter may be placed in the filter-receiving means 30 to filter gas entering the gas container 16 via the air inlet 20 (that is hidden behind the filter-receiving
35 means 30 in figures 4 and 5).

The filter-receiving means 30 are either integrally formed with the plastic parabola 16a of the gas container 16, by a blow moulding or vacuum forming process for example, or are attached to the inner surface of the plastic parabola 16a, by a continuous welding
5 process, such as ultrasound welding, for example. Ultrasound is used to generate internal friction in the plastic of the parabola 16a and the filter-receiving means 30 and thereby heat the parabola 16a and the filter-receiving means 30. The heated surfaces are then joined together by application of pressure. A filter may be permanently attached to the filter-receiving means 30 using ultrasound welding.

10

The filter and filter-receiving means 30 should be arranged to ensure that a flexible portion is substantially uniformly inflated so that no part of it is excessively stretched during the inflation thereof. The filter may, for example, be arranged at an angle to the direction of incoming gas as shown in figures 4 and 5, rather than being arranged perpendicularly to
15 the direction of incoming gas. A second filter-receiving means may be placed in the flow channel 18 to enable fluid passing between the vial 12 and the gas container 16 to be filtered.

Figure 6 shows an exploded view of part of a pressure equalizing device 10 according to
20 a third embodiment of the invention. The gas container 16 comprises a parabola 16a and a flexible portion 16b comprising a thin transparent film. The gas container 16 comprises an air inlet 20 and a one-way valve 28 is located in the air inlet 20. Figure 7 shows the pressure equalizing device 10 of figure 6 when in use. Gas flows into the gas container 16 in the direction of the arrows in figure 7, namely through the openings in part 24 of the gas
25 container 16, through a filter 34 into the air inlet 20 via radial channels and past the one-way valve 28 into the interior of the gas container 16. The part 24 comprising the openings in the illustrated embodiment may be arranged to be removable from the gas container 16 or it may be fixedly attached thereto, by means of adhesion or welding for example. Figure 7 shows that filter-receiving means 30 may be placed at the mouth of the
30 flow channel 18 that provides gas communication into or out of the gas container and/or at any other position along the flow channel 18.

Figures 8-10 show part of a pressure equalizing device 10 according to a fourth
embodiment of the invention. The pressure equalizing device 10 comprises a gas
35 container comprising a parabola 16a and means 22 for connecting the pressure

equalizing device 10 to an receptor. The gas container 16 may be detachable from the connecting means 22. The gas container 16 is for example attached to the connecting means 22 by means of a bayonet coupling or any other releasable coupling means. Filter-receiving means 30 are placed in between the gas container 16 and the connecting
5 means 22.

Figures 11-13 show part of a pressure equalizing device 10 according to a fifth embodiment of the invention. The pressure equalizing device 10 comprises a parabola 16a and connecting means 23 for attaching the pressure equalizing device 10 to an
10 injector, such as a syringe. The parabola 16a is integrally formed with the connecting means 22 and 23 in the illustrated embodiment. The pressure equalizing device 10 comprises an insert 36 comprising filter-receiving means 30 and a one-way valve 28. The insert 36 is removably or non-removably attached to the inside of the parabola 16a and may be provided with guiding means, to facilitate positioning of the filter-receiving means
15 30 in the flow channel 18 and/or the one-way valve 28 in the air inlet 20.

Further modifications of the invention within the scope of the claims would be apparent to a skilled person. For example, the gas container may be of any shape and size and may be located in any suitable position with respect to a receptacle when a pressure
20 equalizing device is attached to a receptacle.

The embodiments of the invention in which an exclusive property or privilege is claimed are defined as follows:

1. A pressure equalizing device comprising a fluid container for attachment to a receptacle to permit pressure equalization between the fluid container and the receptacle, wherein the pressure equalizing device comprises:

a flow channel that is arranged to provide fluid communication into or out of the fluid container when the pressure equalizing device is attached to the receptacle;

a fluid inlet that contains a one-way valve that permits fluid to flow into the fluid container via said fluid inlet and that prevents fluid from flowing out of the fluid container via said fluid inlet; and

filter-receiving means that is arranged to permit fluid flowing into or out of the fluid container to be filtered wherein the filter-receiving means comprises a filter.

2. A pressure equalizing device according to claim 1, wherein the receptacle is a vial.

3. A pressure equalizing device according to claim 1 or 2, wherein the filter-receiving means comprises a removable or non-removable filter.

4. A pressure equalizing device according to claim 2 or 3, wherein the filter is a sterilizing or aseptisizing filter.

5. A pressure equalizing device according to claim 2 or 3, wherein the filter is a particulate air filter.

6. A pressure equalizing device according to claim 2 or 3, wherein the filter is a high efficiency particulate air (HEPA) filter.

7. A pressure equalizing device according any one of claims 1 to 6, wherein the filter-receiving means is located upstream or downstream of the one-way valve in the fluid inlet, which permits fluid to be filtered as it flows into the fluid container wherein the

filter-receiving means comprises the filter.

8. A pressure equalizing device according to any one of claims 1 to 7, wherein the filter-receiving means is located in the flow channel, which permits fluid to be filtered as it flows out of the fluid container into the receptacle wherein the filter-receiving means comprises the filter.

9. A pressure equalizing device according to any one of claims 1 to 8, wherein the fluid container is an air container.

10. A pressure equalizing device according to any one of claims 1 to 9, wherein the fluid inlet is arranged to be in communication with ambient air.

11. A pressure equalizing device according to any one of claims 1 to 10, wherein the fluid container comprises a flexible portion.

12. A pressure equalizing device according to any one of claims 1 to 11, wherein the one-way valve is integrally formed with the filter-receiving means or with the filter.

13. A pressure equalizing device according to any one of claims 1 to 12, wherein the filter-receiving means is detachable from the fluid container.

14. A pressure equalizing device according to any one of claims 1 to 13, wherein the device further comprises connecting means for attachment of the pressure equalizing device to a receptacle or connecting means or both the receptacle and the connecting means for attachment of the pressure equalizing device to an injector.

15. A pressure equalizing device according to claim 14, wherein the injector is a syringe.

16. A pressure equalizing device according to claim 14 or 15, wherein at least part of the fluid container is integrally formed with the connecting means.

17. A pressure equalizing device according to claim 14, 15 or 16, wherein the fluid container is detachable from the connecting means.

18. A receptacle comprising a pressure equalizing device as defined in any one of claims 1 to 17.

19. A receptacle according to claim 18, wherein at least part of the pressure equalizing device is integrally formed with at least one component of the receptacle.

20. Use of a pressure equalizing device as defined in any one of claims 1 to 17 as a pressure equalizing device during the preparation or administration of a drug.

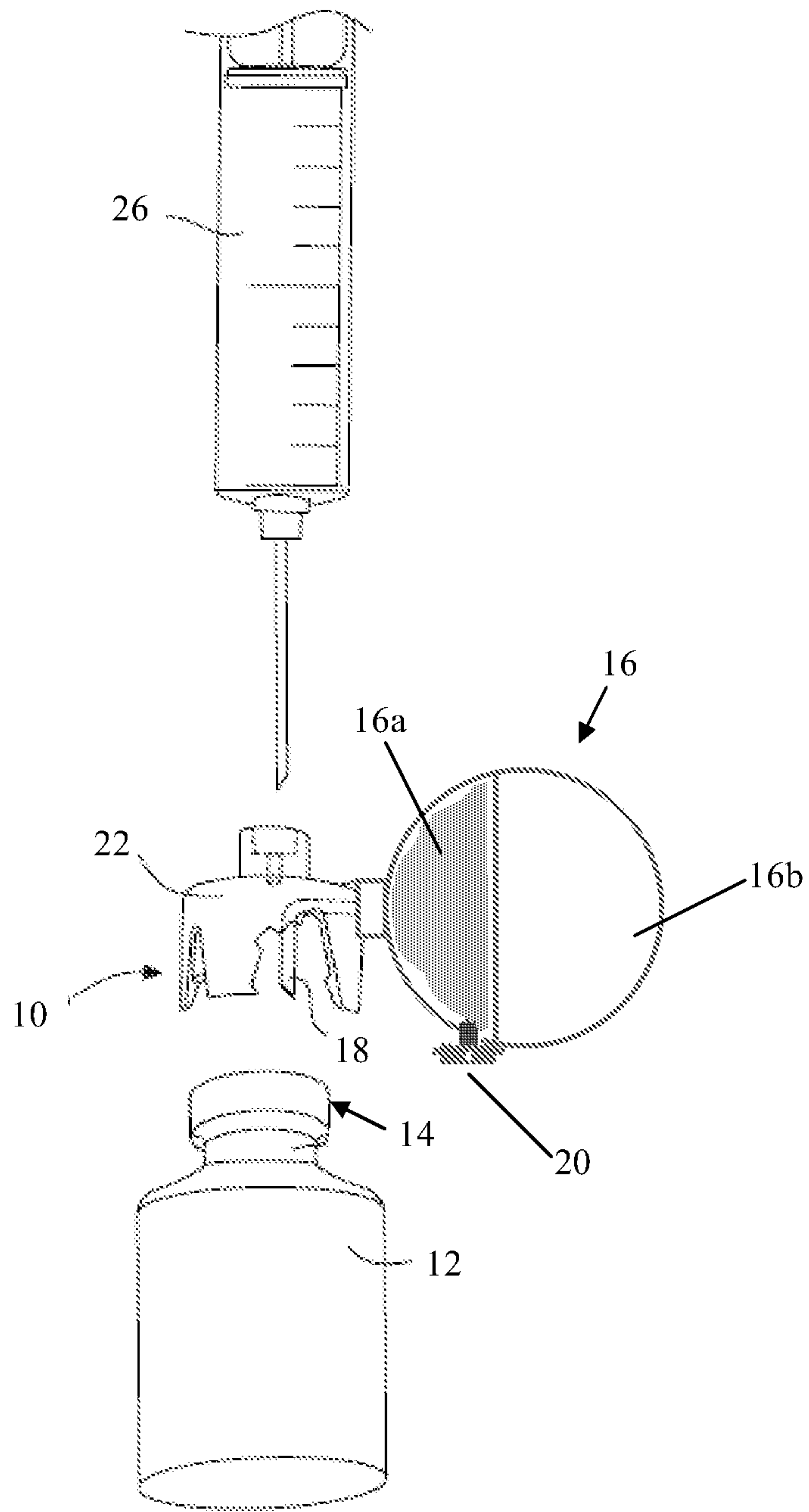


Fig. 1

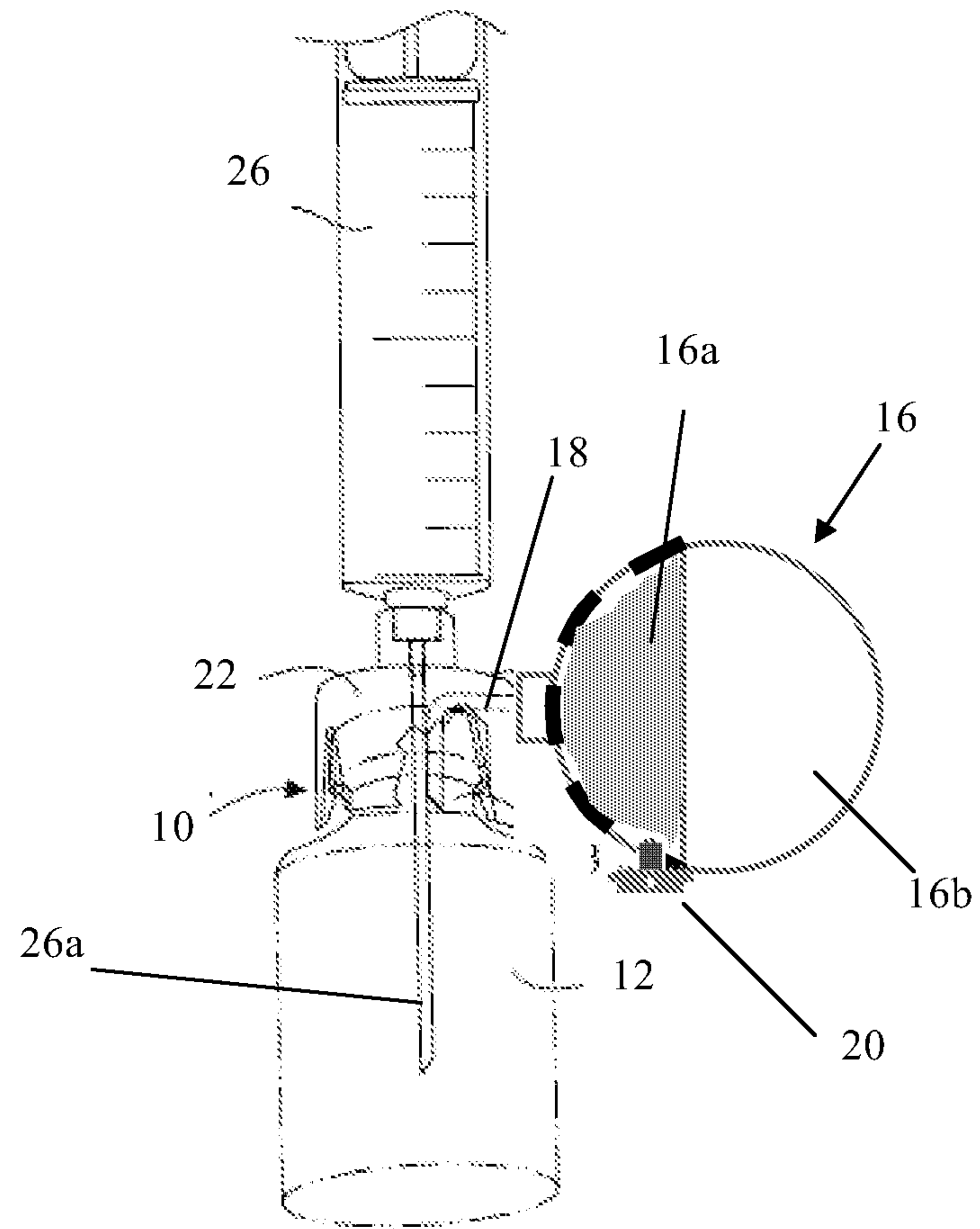


Fig. 2

3/7

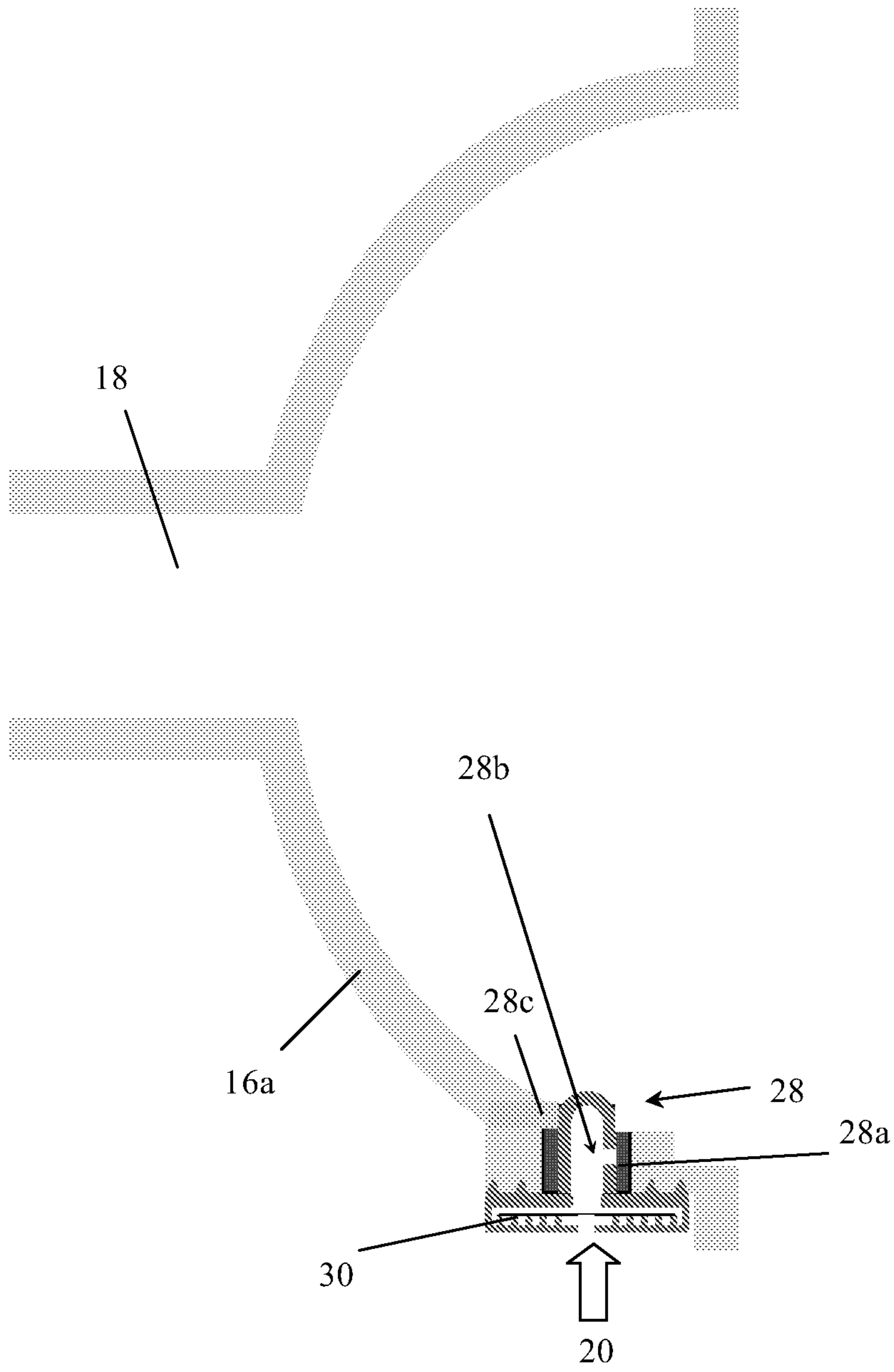


Fig. 3

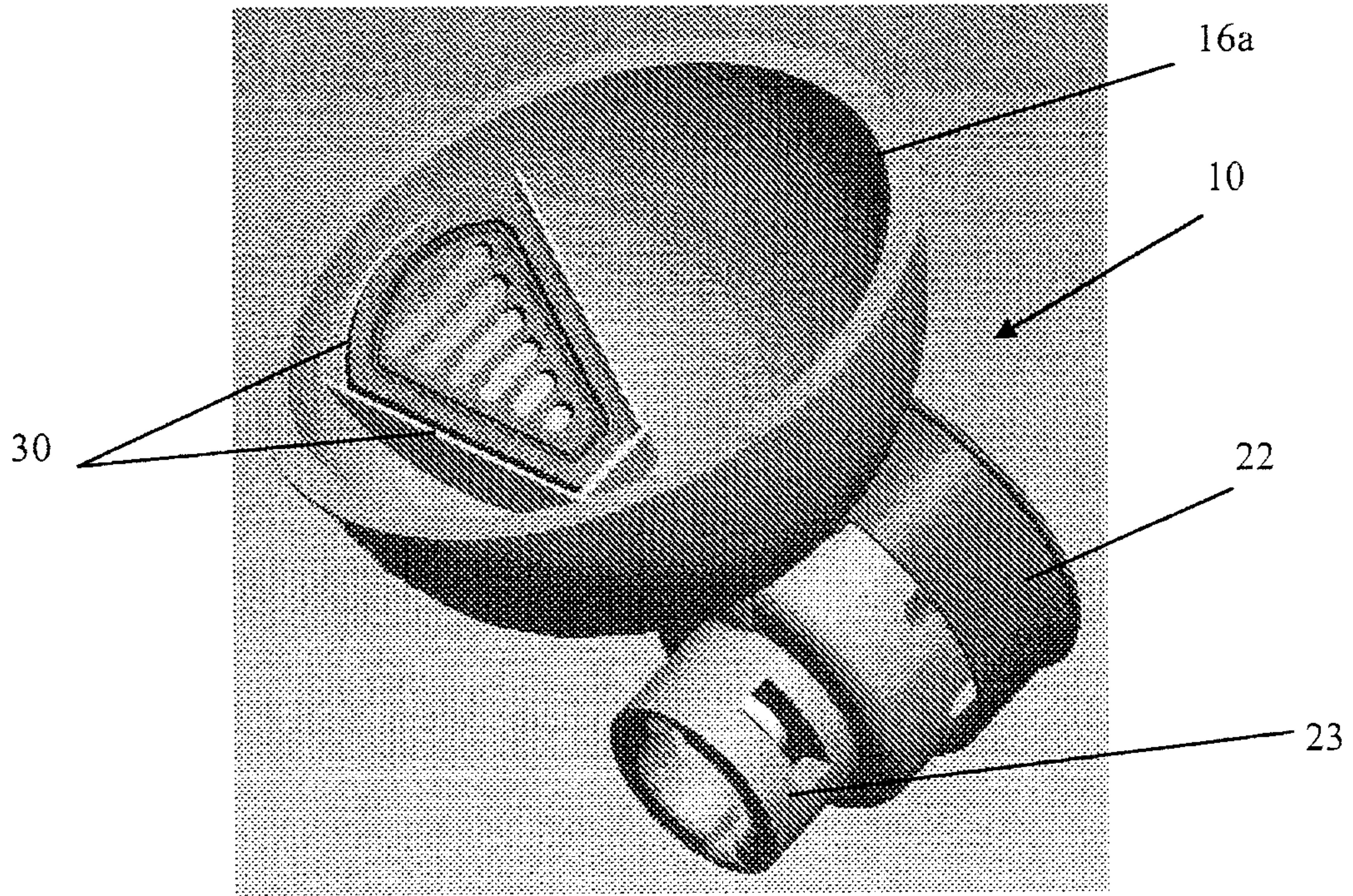


Fig. 4

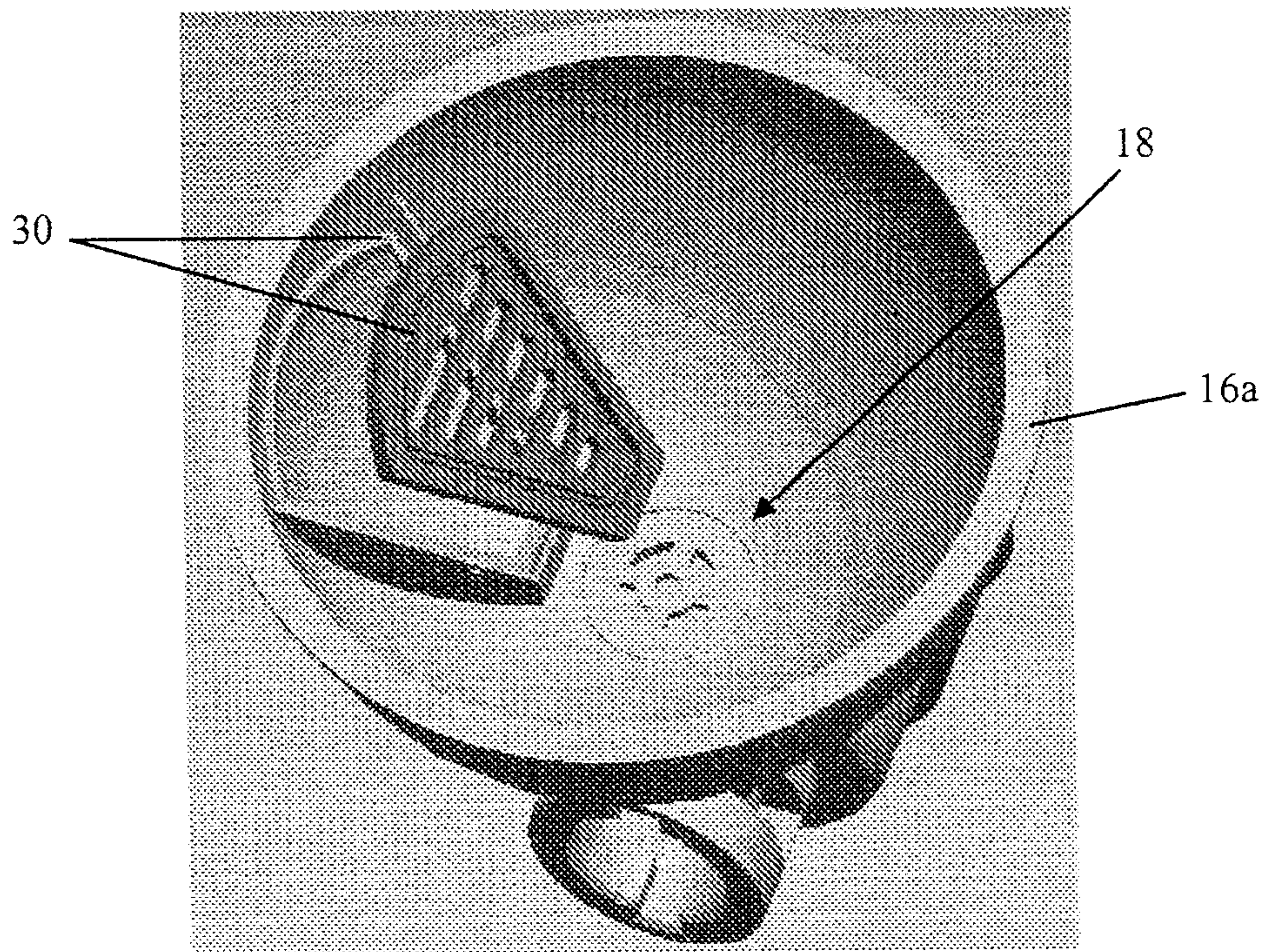


Fig. 5

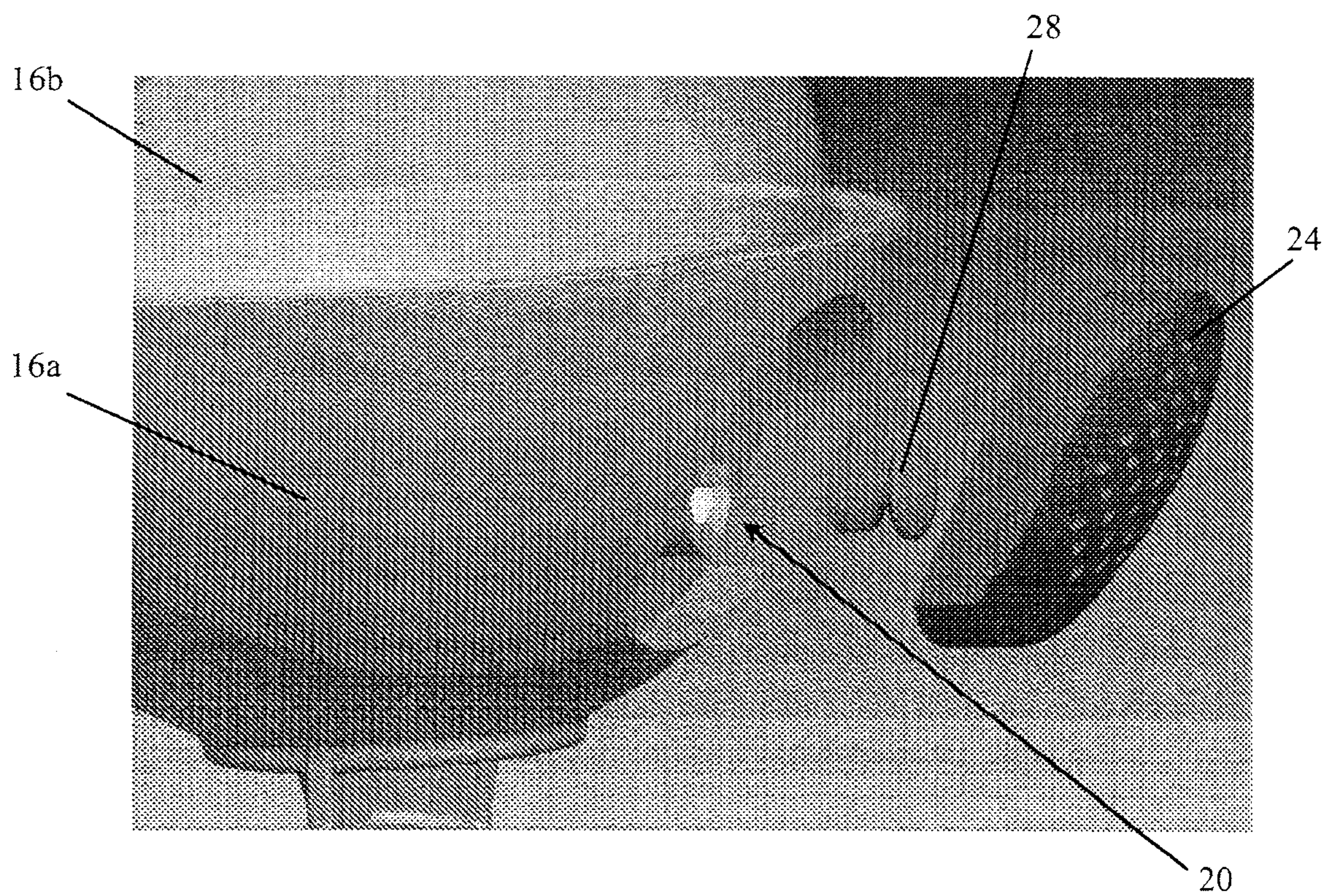


Fig. 6

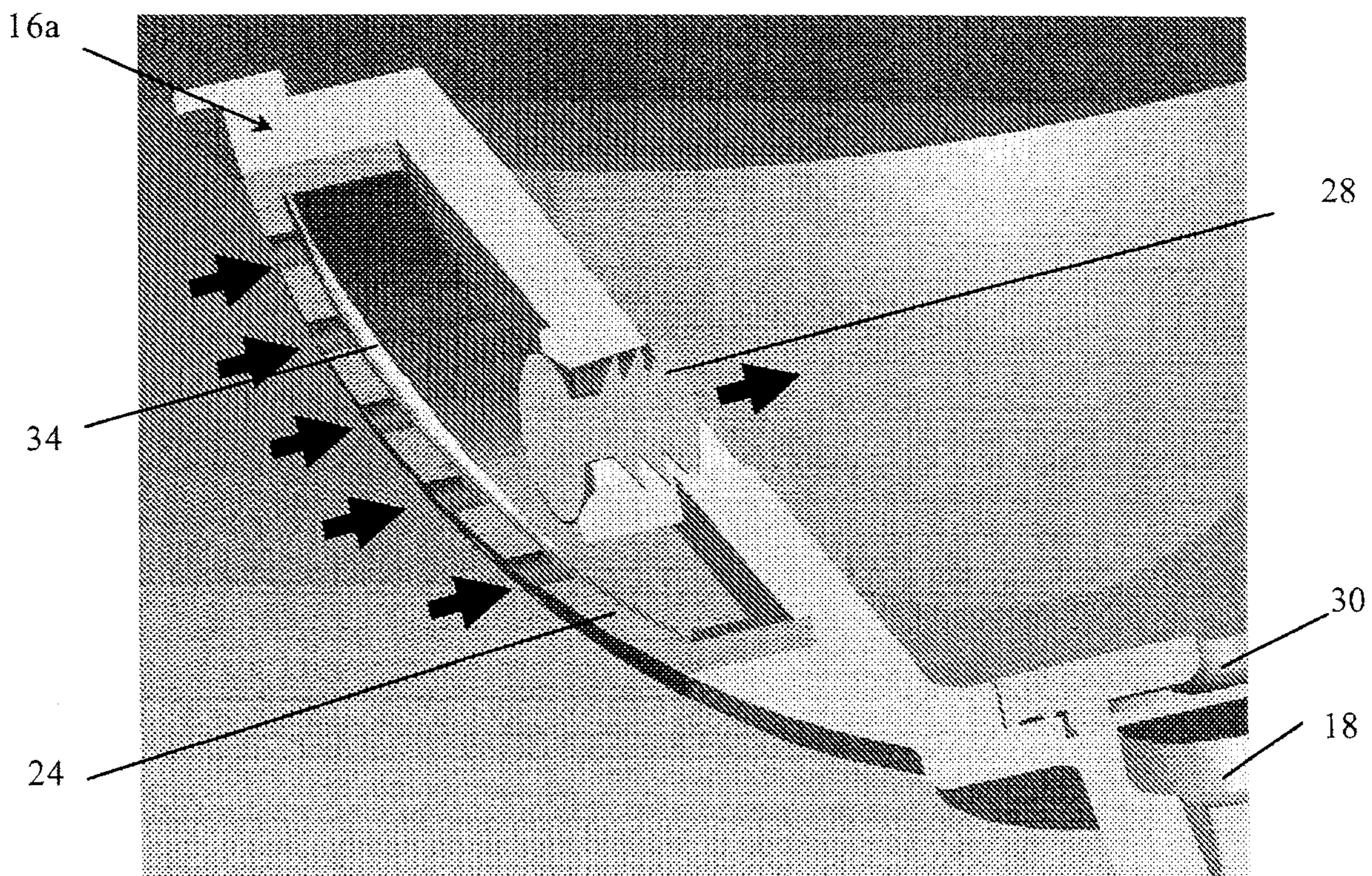


Fig. 7

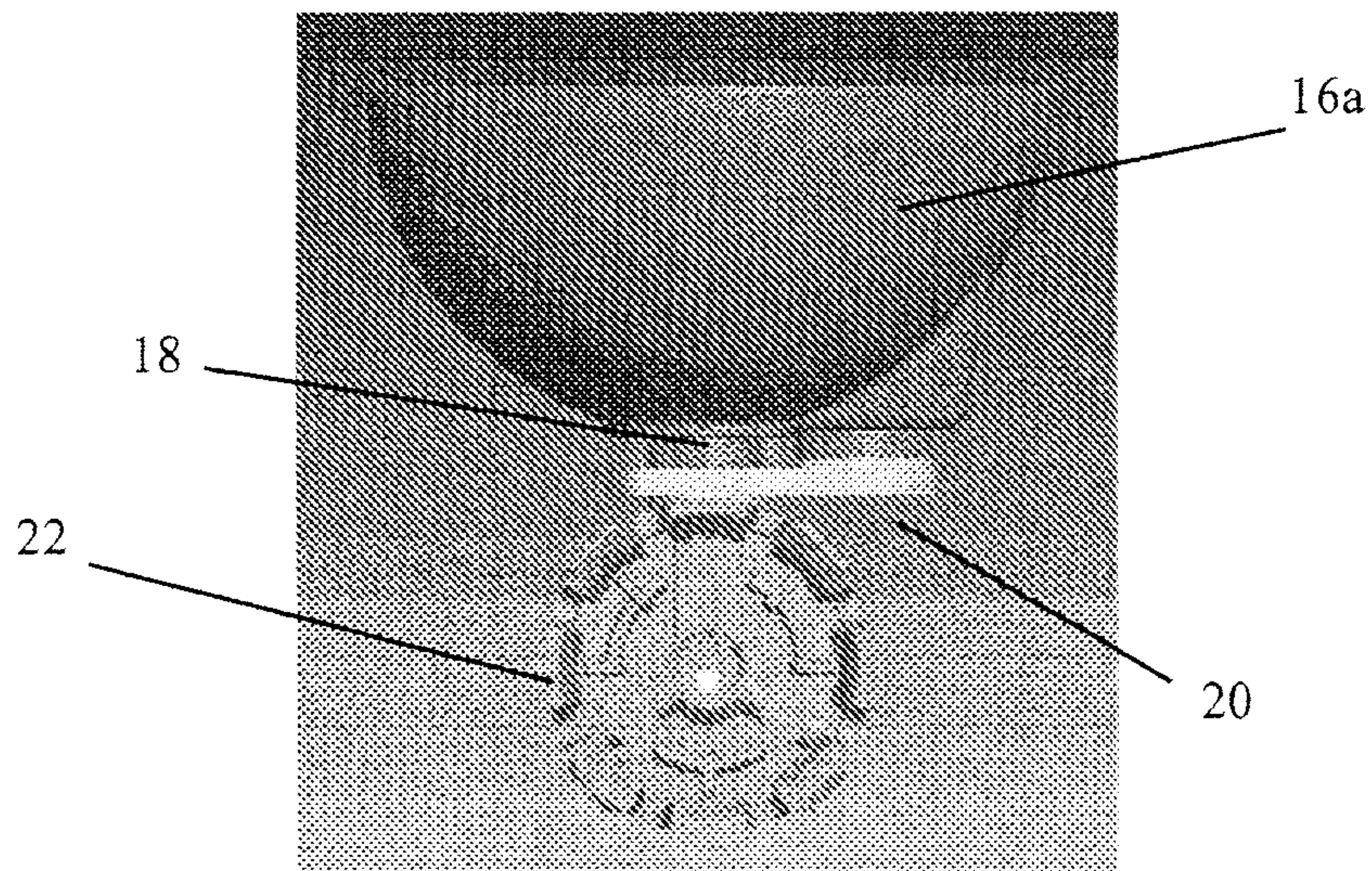


Fig. 8

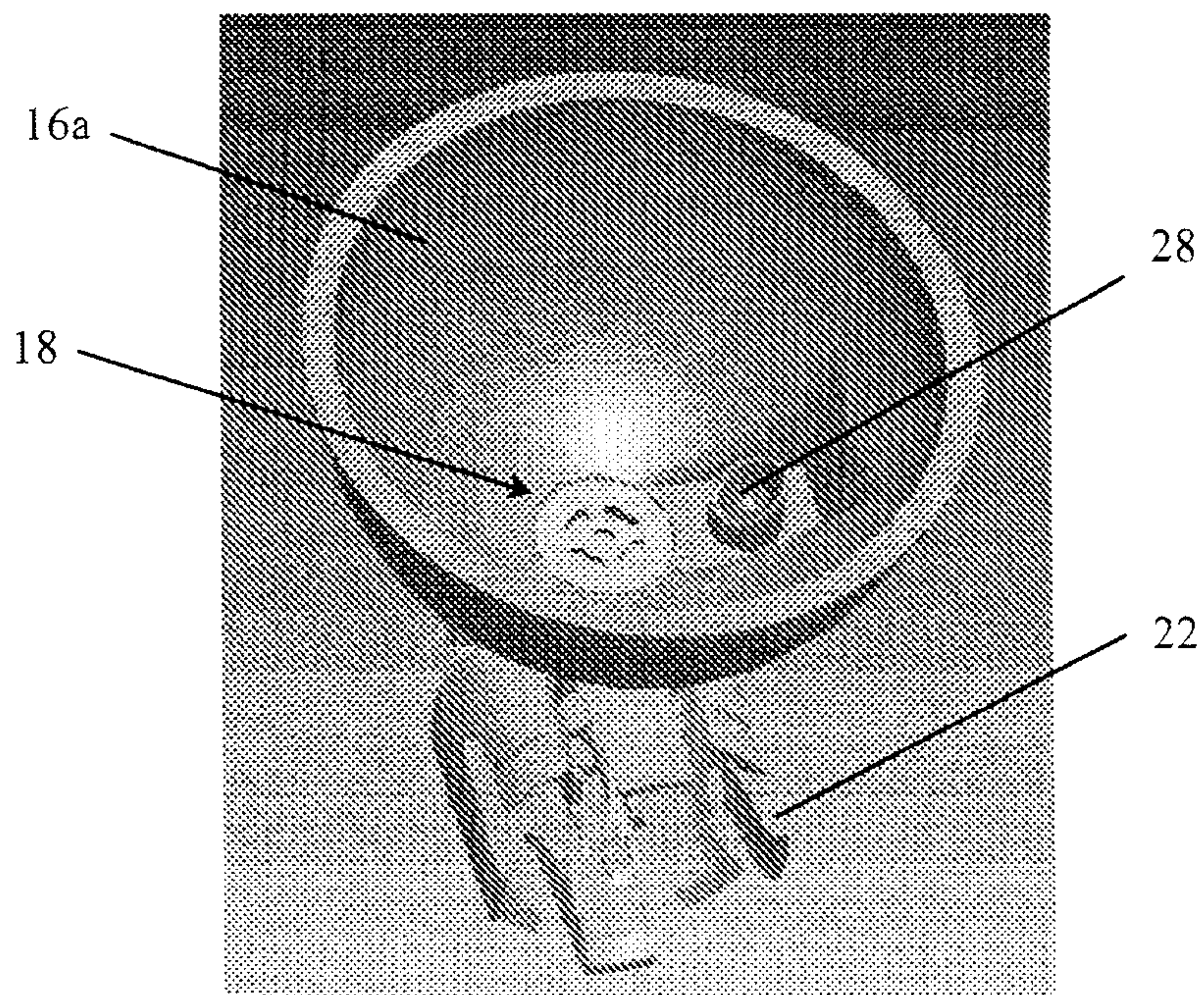


Fig. 9

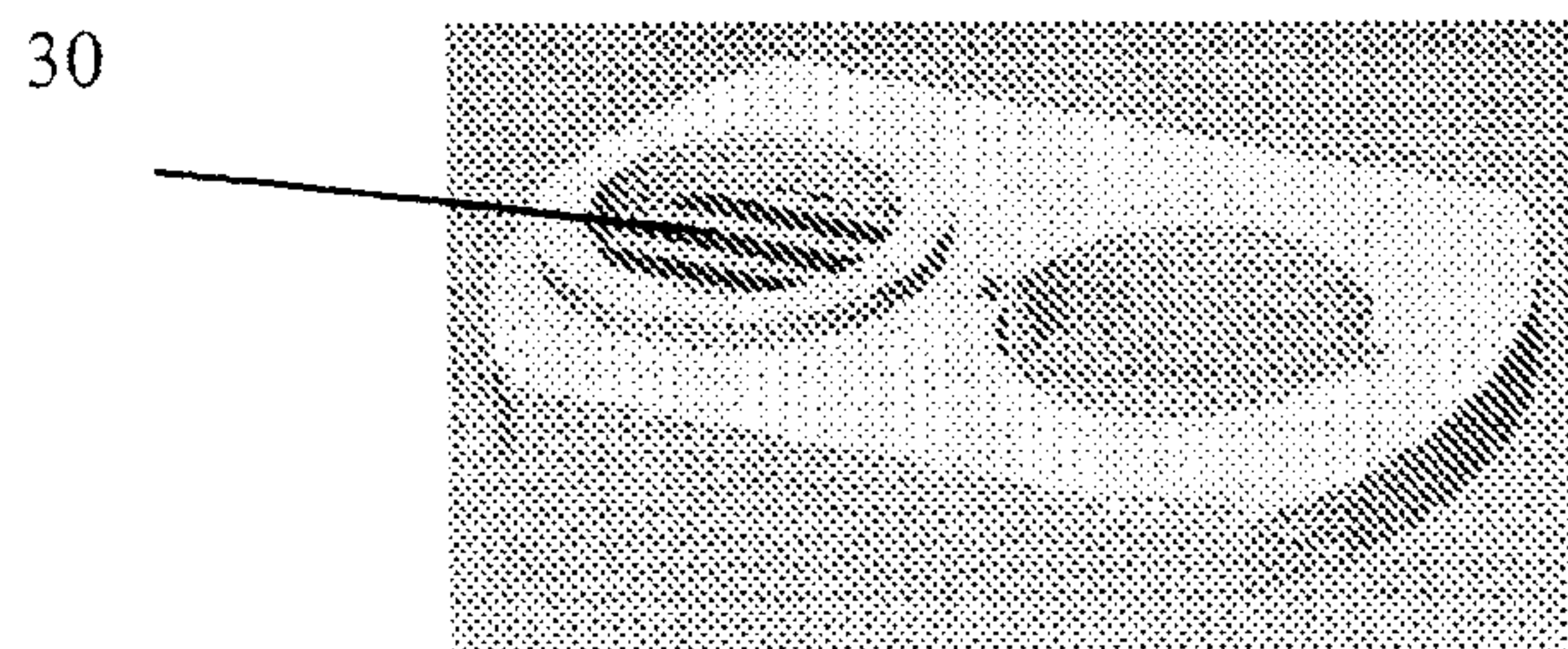


Fig. 10

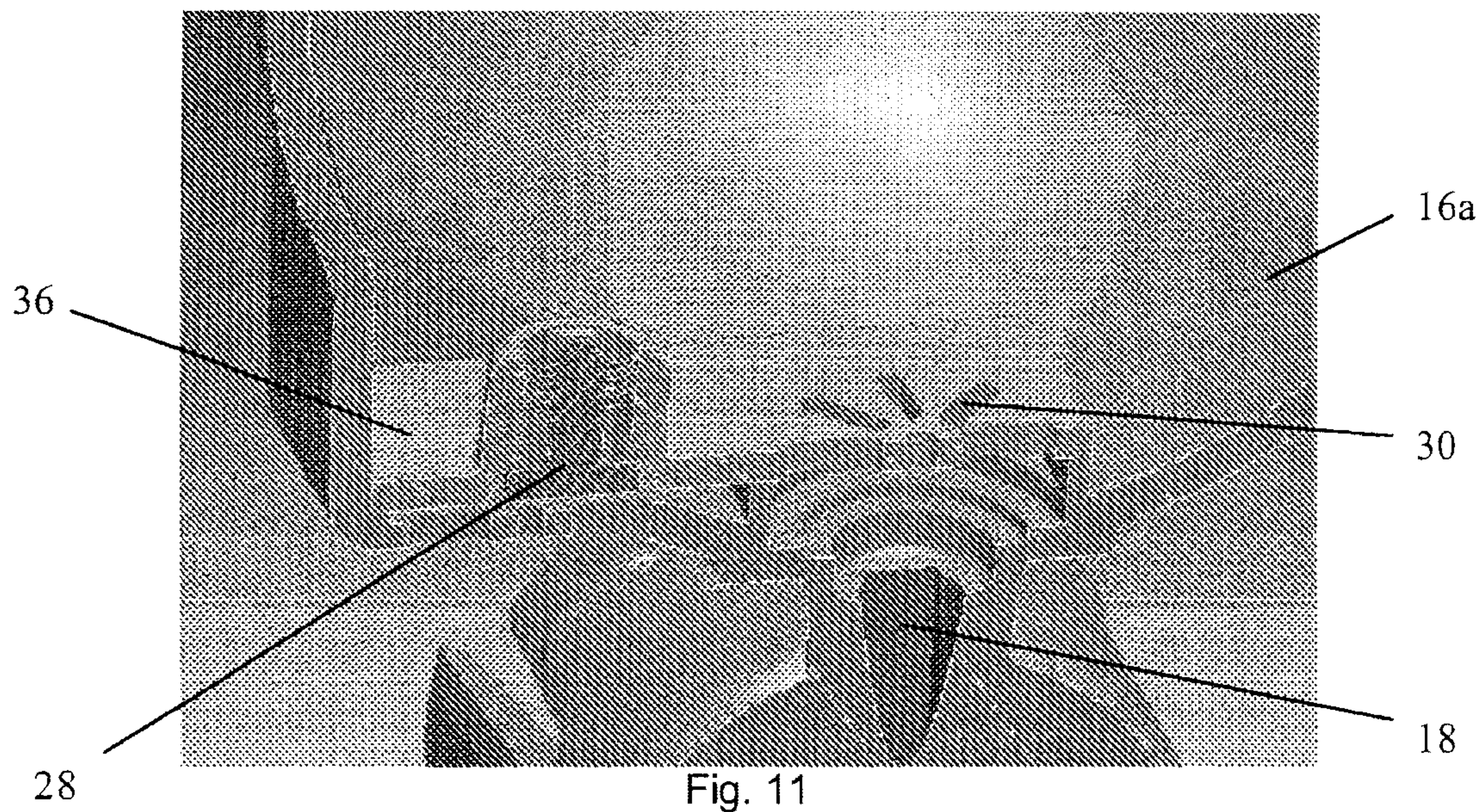


Fig. 11

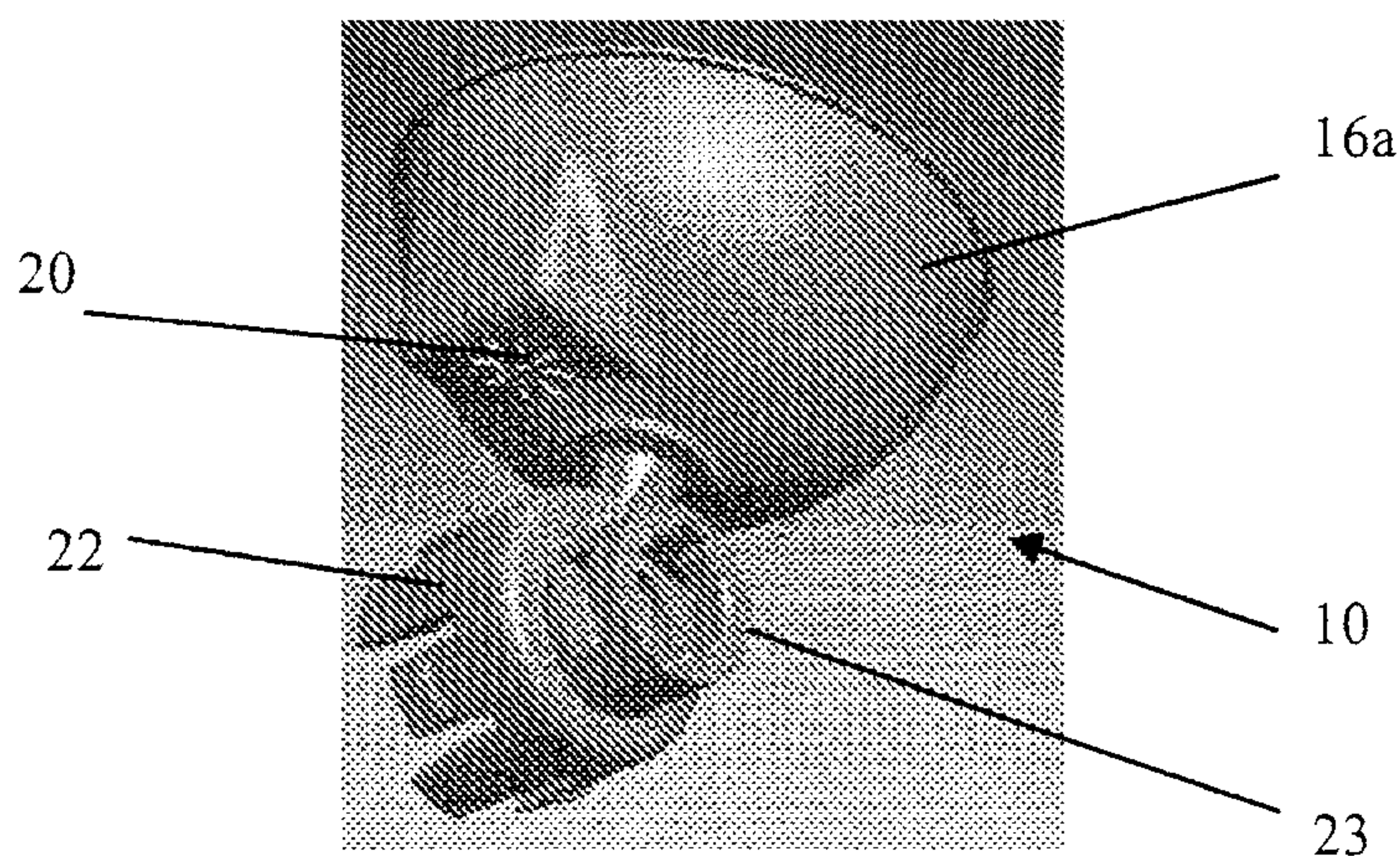


Fig. 12

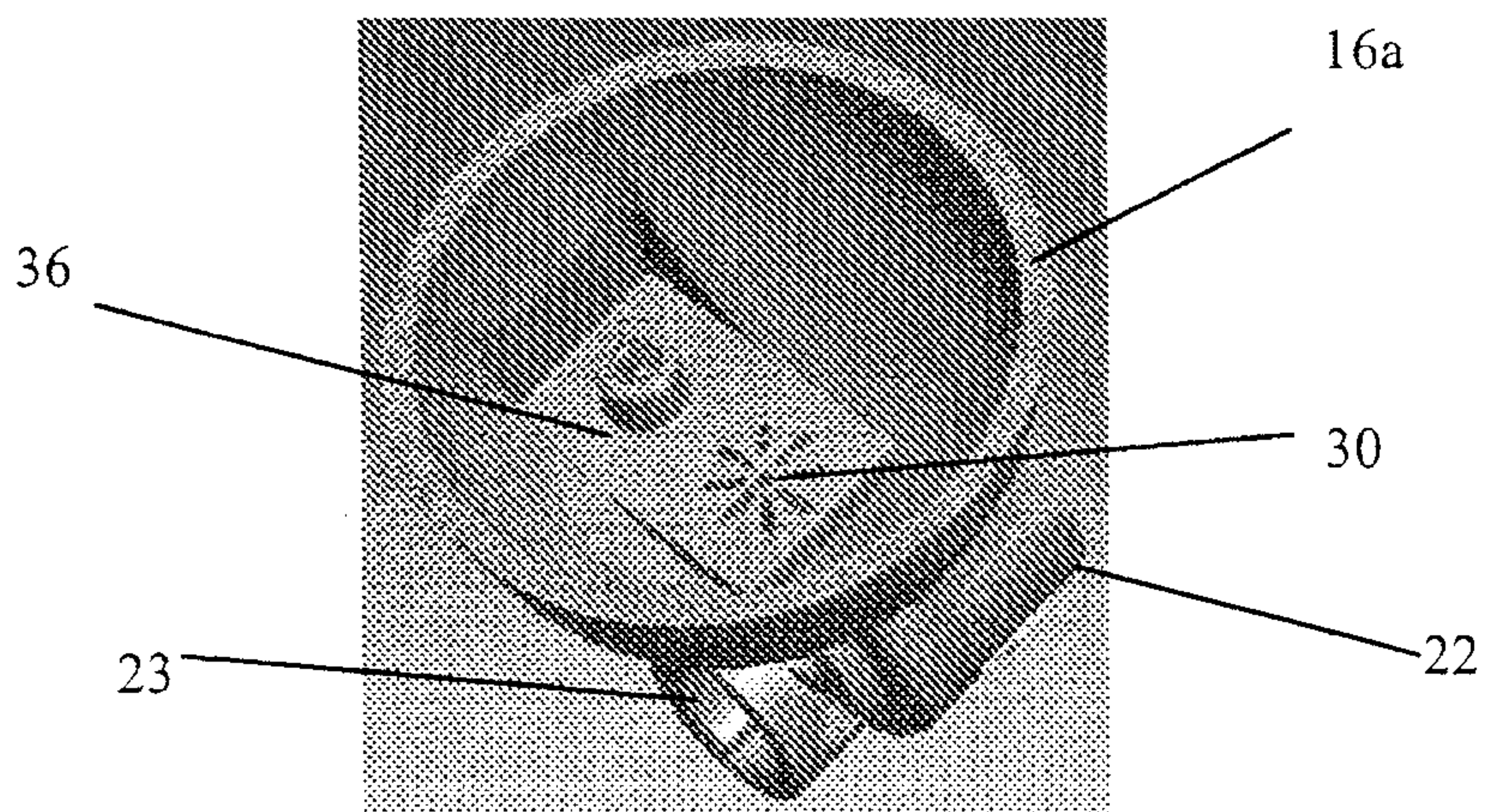
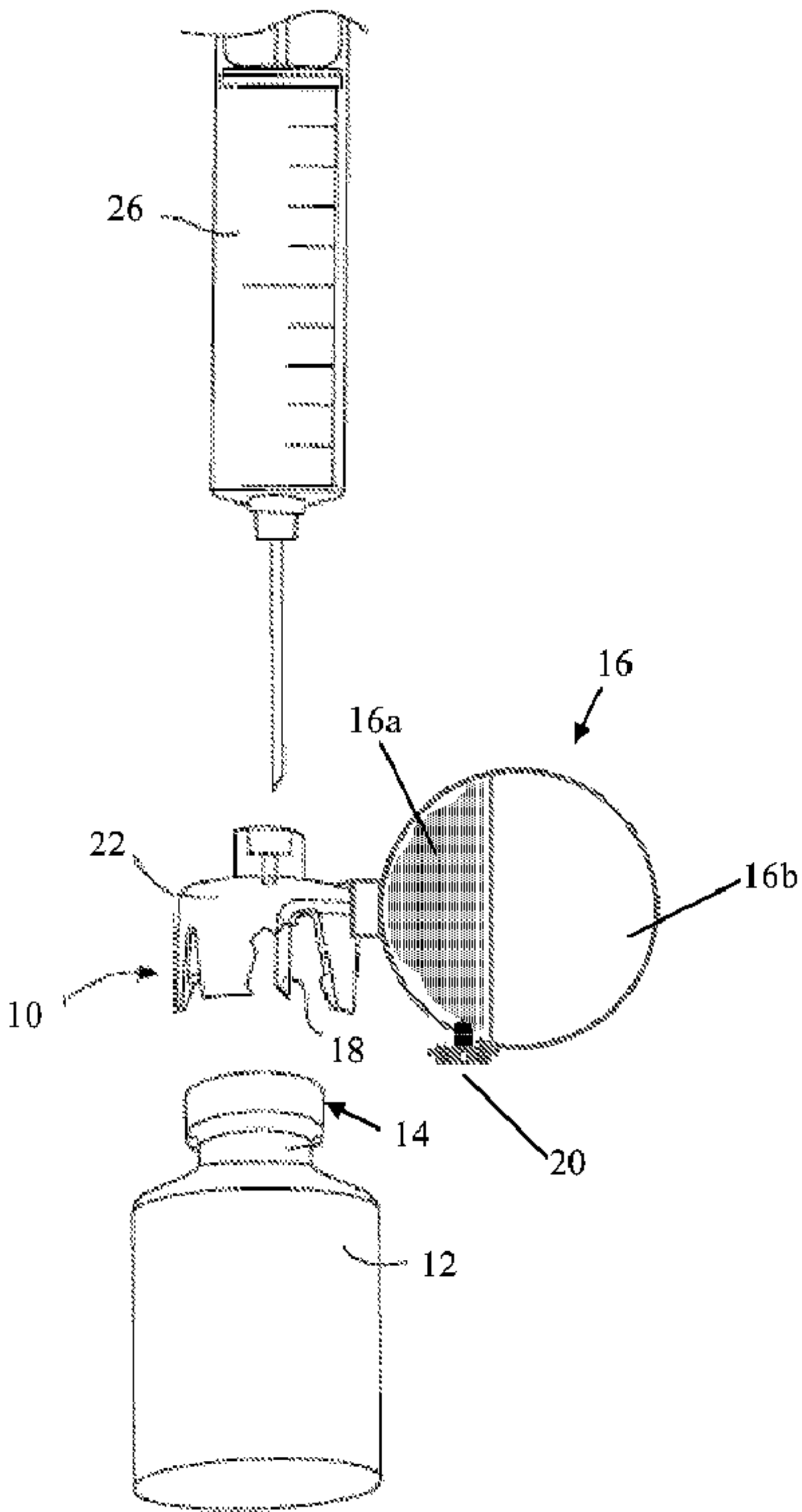


Fig. 13



(57) Abrégé(suite)/Abstract(continued):

provide fluid communication into or out of the fluid container when the pressure equalizing device is attached to the receptacle. The pressure equalizing device also comprises a fluid inlet that contains a one-way valve that permits fluid to flow into the fluid container via said fluid inlet and that prevents fluid from flowing out of the fluid container via said fluid inlet and filter-receiving means that are arranged to permit fluid flowing into or out of the fluid container to be filtered when the filter-receiving means comprises a filter.