

(19) World Intellectual Property Organization  
International Bureau



(43) International Publication Date  
7 June 2007 (07.06.2007)

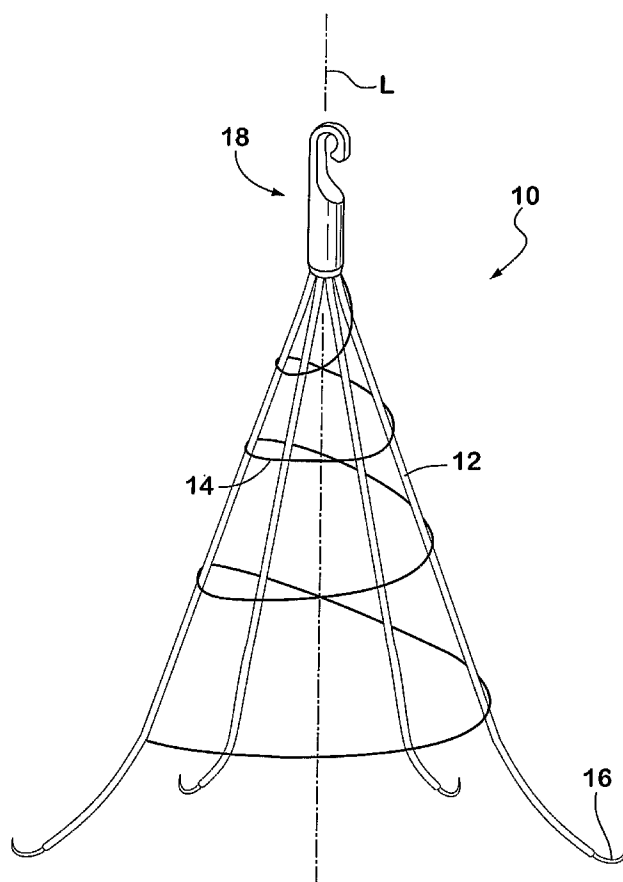
PCT

(10) International Publication Number  
**WO 2007/064731 A3**

- (51) International Patent Classification:  
A61M 29/00 (2006.01)
- (21) International Application Number:  
PCT/US2006/045738
- (22) International Filing Date:  
28 November 2006 (28.11.2006)
- (25) Filing Language: English
- (26) Publication Language: English
- (30) Priority Data:  
60/742,148 2 December 2005 (02.12.2005) US
- (71) Applicant (for all designated States except US): **C.R. BARD, INC.** [US/US]; 730 Central Avenue, Murray Hill, NJ 07974 (US).
- (72) Inventors; and
- (75) Inventors/Applicants (for US only): **HARRIS, Keith, S.** [US/US]; 1570 W. Maggio Way, #2097-15, Chandler, AZ 85224 (US). **LERDAHL, Robert, G.** [US/US]; 2025 E. Pedro Road, Phoenix, AZ 85042 (US). **TA, Khoi, Q.** [US/US]; 5573 Ora Street, San Jose, CA 95129 (US).
- (74) Agents: **WIGHT, Todd, W.** et al.; Morrison & Foerster LLP, 19900 Macarthur Boulevard, Irvine, CA 92612-2445 (US).
- (81) Designated States (unless otherwise indicated, for every kind of national protection available): AE, AG, AL, AM, AT, AU, AZ, BA, BB, BG, BR, BW, BY, BZ, CA, CH, CN, CO, CR, CU, CZ, DE, DK, DM, DZ, EC, EE, EG, ES, FI, GB, GD, GE, GH, GM, GT, HN, HR, HU, ID, IL, IN, IS, JP, KE, KG, KM, KN, KP, KR, KZ, LA, LC, LK, LR, LS, LT, LU, LV, LY, MA, MD, MG, MK, MN, MW, MX, MY, MZ, NA, NG, NI, NO, NZ, OM, PG, PH, PL, PT, RO, RS, RU, SC, SD, SE, SG, SK, SL, SM, SV, SY, TJ, TM, TN, TR, TT, TZ, UA, UG, US, UZ, VC, VN, ZA, ZM, ZW.
- (84) Designated States (unless otherwise indicated, for every kind of regional protection available): ARIPO (BW, GH, GM, KE, LS, MW, MZ, NA, SD, SL, SZ, TZ, UG, ZM, ZW), Eurasian (AM, AZ, BY, KG, KZ, MD, RU, TJ, TM), European (AT, BE, BG, CH, CY, CZ, DE, DK, EE, ES, FI, FR, GB, GR, HU, IE, IS, IT, LT, LU, LV, MC, NL, PL, PT,

[Continued on next page]

(54) Title: HELICAL VENA CAVA FILTER



(57) Abstract: A vena cava filter is described, having at least one member arranged helically along a longitudinal axis of the filter. The filter may include a plurality of legs around which is arranged one or more filaments traveling in a helical path, or an elongated wire member arranged to define a first and second helical path. The filter may include hooks and/or a retrieval member.

WO 2007/064731 A3



RO, SE, SI, SK, TR), OAPI (BF, BJ, CF, CG, CI, CM, GA, GN, GQ, GW, ML, MR, NE, SN, TD, TG).

**(88) Date of publication of the international search report:**  
17 January 2008

**Published:**

— with international search report

*For two-letter codes and other abbreviations, refer to the "Guidance Notes on Codes and Abbreviations" appearing at the beginning of each regular issue of the PCT Gazette.*

# INTERNATIONAL SEARCH REPORT

International application No.

PCT/US06/45738

**A. CLASSIFICATION OF SUBJECT MATTER**

IPC: A61M 29/00(2006.01)

USPC: 606/200

According to International Patent Classification (IPC) or to both national classification and IPC

**B. FIELDS SEARCHED**

Minimum documentation searched (classification system followed by classification symbols)

U.S. : 606/200

Documentation searched other than minimum documentation to the extent that such documents are included in the fields searched

Electronic data base consulted during the international search (name of data base and, where practicable, search terms used)

**C. DOCUMENTS CONSIDERED TO BE RELEVANT**

Category *	Citation of document, with indication, where appropriate, of the relevant passages	Relevant to claim No.
X	US 6,391,045 B1 (KIM et al) 21 May 2002 (21.05.2002), see entire document.	1,4,5,7-16,18-20,23-25
---		-----
Y		2,3,6,21,22

Further documents are listed in the continuation of Box C.

See patent family annex.

* Special categories of cited documents:	"T"	later document published after the international filing date or priority date and not in conflict with the application but cited to understand the principle or theory underlying the invention
"A" document defining the general state of the art which is not considered to be of particular relevance	"X"	document of particular relevance; the claimed invention cannot be considered novel or cannot be considered to involve an inventive step when the document is taken alone
"E" earlier application or patent published on or after the international filing date	"Y"	document of particular relevance; the claimed invention cannot be considered to involve an inventive step when the document is combined with one or more other such documents, such combination being obvious to a person skilled in the art
"L" document which may throw doubts on priority claim(s) or which is cited to establish the publication date of another citation or other special reason (as specified)	"&"	document member of the same patent family
"O" document referring to an oral disclosure, use, exhibition or other means		
"P" document published prior to the international filing date but later than the priority date claimed		

Date of the actual completion of the international search

14 September 2007 (14.09.2007)

Date of mailing of the international search report

**09 OCT 2007**

Name and mailing address of the ISA/US

Mail Stop PCT, Attn: ISA/US  
Commissioner for Patents  
P.O. Box 1450  
Alexandria, Virginia 22313-1450

Authorized officer

Darwin P. Ereso

Telephone No. 703-308-0858

Facsimile No. (571) 273-3201