

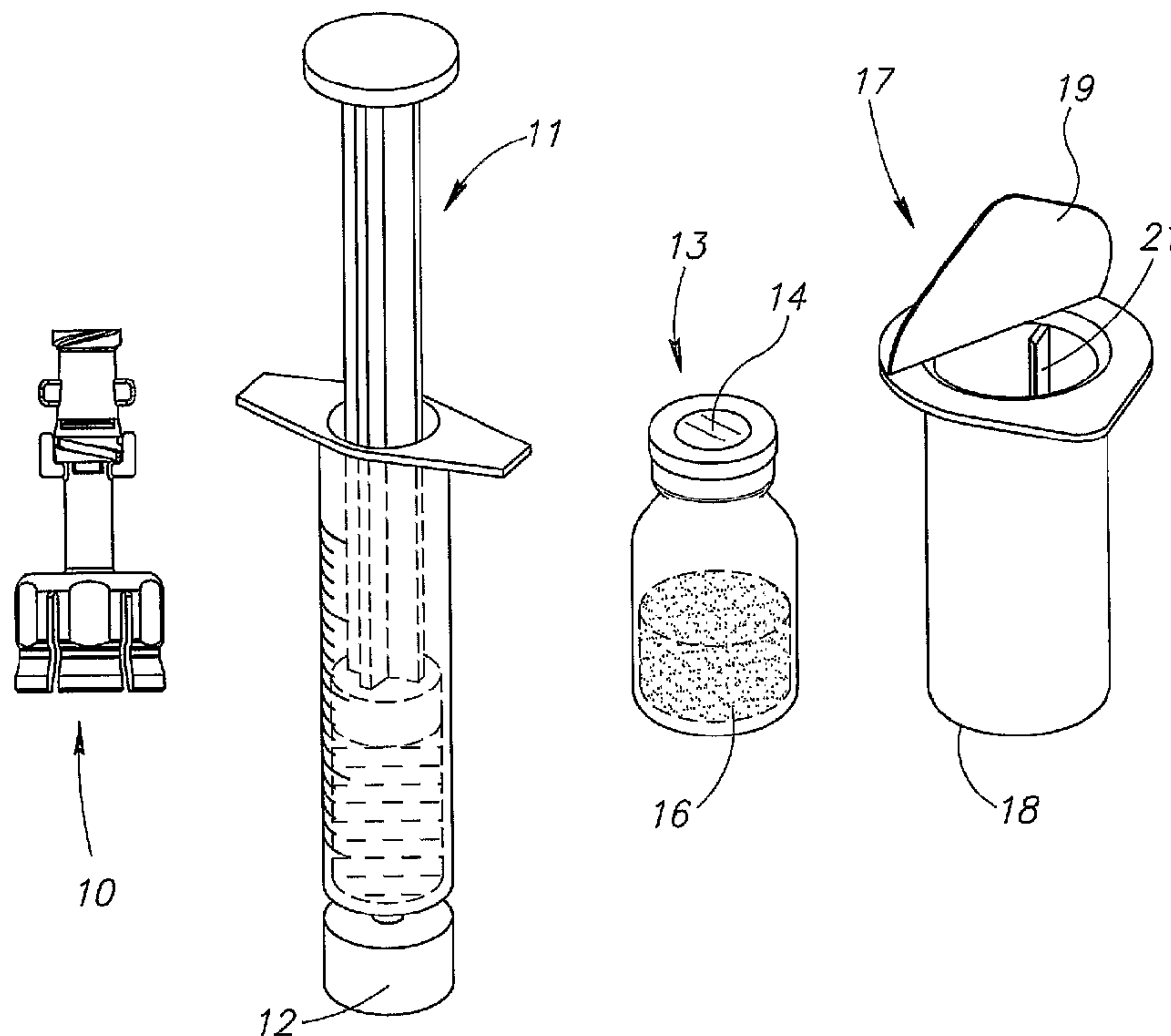


(86) Date de dépôt PCT/PCT Filing Date: 2005/04/06
 (87) Date publication PCT/PCT Publication Date: 2005/11/10
 (45) Date de délivrance/Issue Date: 2012/10/30
 (85) Entrée phase nationale/National Entry: 2006/10/19
 (86) N° demande PCT/PCT Application No.: IL 2005/000376
 (87) N° publication PCT/PCT Publication No.: 2005/105014
 (30) Priorités/Priorities: 2004/04/29 (IL161660);
 2004/07/14 (US60/587,550); 2004/07/21 (US60/589,568)

(51) Cl.Int./Int.Cl. *A61J 1/20* (2006.01),
A61M 5/32 (2006.01)
 (72) Inventeurs/Inventors:
 ZINGER, FREDDY, IL;
 DENENBURG, IGOR, IL
 (73) Propriétaire/Owner:
 MEDIMOP MEDICAL PROJECTS LTD., IL
 (74) Agent: INTEGRAL IP

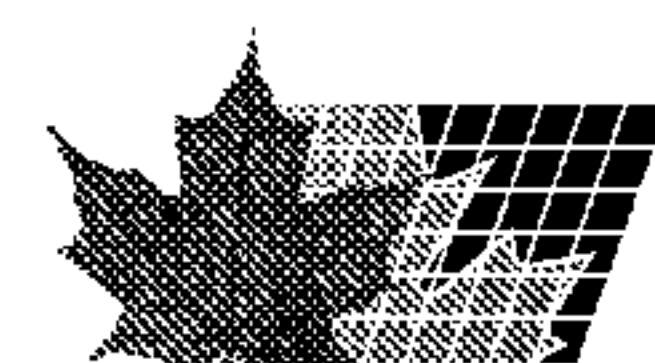
(54) Titre : DISPOSITIFS MEDICAUX POUR MEDICAMENTS LIQUIDES ET DISPOSITIF D'ENLEVEMENT DE PROTECTION D'AIGUILLE

(54) Title: LIQUID DRUG MEDICAL DEVICES AND NEEDLE SHIELD REMOVAL DEVICE



(57) Abrégé/Abstract:

Liquid drug medical device including a body member having a longitudinal axis and a first port for connection to physiological solution. The body member includes a flow control member rotatable about an axis of rotation co-directional with the longitudinal axis. The flow control member has two flow ducts terminating at a second port and a third port for administering the liquid drug. The medical device also includes a manually rotatable adapter having a fluid conduit member in flow communication with the second port and extending into a medicinal vessel on its attachment to the adapter, and coupled to the flow control member for rotating same between a first flow control position for connecting the first port with the second port, and a second flow control position for connecting the first port with the third port.



ABSTRACT

Liquid drug medical device including a body member having a longitudinal axis and a first port for connection to physiological solution. The body member includes a flow control member rotatable about an axis of rotation co-directional with the longitudinal axis. The flow control member has two flow ducts terminating at a second port and a third port for administering the liquid drug. The medical device also includes a manually rotatable adapter having a fluid conduit member in flow communication with the second port and extending into a medicinal vessel on its attachment to the adapter, and coupled to the flow control member for rotating same between a first flow control position for connecting the first port with the second port, and a second flow control position for connecting the first port with the third port.

LIQUID DRUG MEDICAL DEVICES AND NEEDLE SHIELD REMOVAL DEVICE

Field of the Invention

The invention pertains to liquid drug medical devices, and needle shield removal
5 devices.

Background of the Invention

Commonly owned PCT International Application No. PCT/US96/03732
published under PCT International Publication No. WO96/29113 illustrates and
describes fluid control devices for administration of liquid drugs. The fluid control
10 devices include *inter alia* fluid control devices now commercially available from
Medimop Medical Projects Ltd, Ra'anana, Israel (www.medimop.com), under the
registered trademark MIXJECT[®]. The MIXJECT[®] fluid control devices have a
longitudinal axis, and include a base member with a syringe port for receiving a
syringe, and a dispensing port in the form of a plastic cannula, a needle, and the like.
15 The base member rotatably supports a flow control member with a manually rotatable
vial adapter coupled thereto for rotating same between a first flow control position for
connecting the syringe port with a vial received within the vial adapter, and a second
flow control position for connecting the syringe port with the dispensing port (see
WO96/29113's Figures 1-19). The vial adapter is preferably screw threadingly
20 detachable from the base member at the second flow control position along a line of
detachment transversely directed to the fluid control device's longitudinal axis (see
WO96/29113's Figures 11-16).

Conventional needles have a female Luer connector for sealingly fitting on
conventional syringes having a male Luer connector. Some syringes are made with a
25 syringe tip having a distal end with a projecting lip to positively prevent a conventional
needle being mounted thereon. However, such syringes are undesirably precluded from
being used with other transfer devices having a female Luer connector, for example,
vial adapters commercially available from Medimop Medical Projects Ltd, Ra'anana,
Israel. Moreover, conventional needles are often supplied with needle shields for

often difficult to remove in part due to their small dimensions which render them difficult to grasp. Exemplary needle shield removal devices are illustrated and described in *inter alia* EP 0 518 397 entitled “*Device for the removal and replacement of a needle shield*”, WO 02/09797 entitled “*Pen Needle and Safety Shield System*”, and
5 WO2003/051423 entitled “*Needle Closure System Removal Device*”.

Summary of the Invention

In accordance with a first aspect of the present invention, there is provided a liquid drug medical device for use with a source of physiological solution and a medicinal vessel for administration of a liquid drug, the device having a longitudinal
10 axis and comprising:

- (a) a body member having a first port for fluid connection with the source of physiological solution;
- (b) a flow control member rotatably mounted in said body member about an axis of rotation co-directional with the longitudinal axis, and having a first major flow duct
15 and a second major flow duct substantially parallel to and non-coaxial with said axis of rotation and respectively terminating at a second port, and a third port for administering the liquid drug; and
- (c) a manually rotatable adapter having a fluid conduit member with a proximal end in flow communication with said second port and a distal end extending into the
20 medicinal vessel on its attachment to said adapter, and coupled to said flow control member for rotating same between a first flow control position for connecting said first port with said second port, and a second flow control position for connecting said first port with said third port.

Liquid drug medical devices of the present invention preferably include an
25 adapter detachable along a line of detachment co-directional with the drug

- 3 -

medical device's longitudinal axis thereby affording a more ergonomic inline detachment than the hitherto aforementioned MIXJECT[®] fluid control devices with transversely directed lines of detachment. Such liquid drug medical devices with detachable adapters also lend themselves to more compact devices affording improved handling, and preferably include drug dispensers, for example, a built-in needle, an atomizer, and the like, in fluid connection with their third ports suitable for self-administration of a liquid drug. Different adapters can be designed suitable for use with different medicinal vessels including *inter alia* vials, ampoules, and the like.

10 In accordance with a second aspect of the present invention, there is provided a liquid drug medical device for use with a syringe having a syringe tip with a distal end having a projecting lip, and a medicinal vial with a rubber stopper, the device comprising an adapter for snap fitting onto the vial and including a hollow puncturing member for puncturing the rubber stopper on snap fitting said adapter on the vial, and an elastomer tubing in flow communication with said puncturing member and having a distal end capable of being sealingly stretched over the syringe's projecting lip for effecting fluid communication between the syringe and the medicinal vial. Thus, the liquid drug transfer device is adapted for convenient use with syringes prevented from having conventional needles with a female Luer connector slidably mounted thereon.

In accordance with a third aspect of the present invention, there is provided a needle shield removal device for use with a liquid drug medical device with a needle protected by a needle shield, the needle including a hub with a flange rim, and a needle stick, the needle shield removal device comprising:

25 (a) a base member including at least two spaced apart support legs terminating at end faces; and

(b) a needle shield release member including a pair of oppositely directed finger supports, and at least two spaced apart clamping legs interposed between said at least two spaced apart support legs and terminating at needle

- 4 -

shield grips for bearing against the needle's flange rim for slidingly removing the needle shield from the needle,

said needle shield release member being slidingly displaceable along said base member from an initial outwardly biased position in which said needle shield grips are substantially flush with said end faces and a retracted position in
5 which said needle shield grips are inwardly disposed relative to said end faces,

the needle shield removal device being slidingly mounted on the liquid drug medical device for enveloping the needle shield therewithin whereupon the needle shield release member is positively urged to said retracted position for
10 entraining the needle shield therewith thereby safely exposing the needle stick.

Brief Description of the Drawings

In order to understand the invention and to see how it can be carried out in practice, preferred embodiments will now be described, by way of non-limiting
15 examples only, with reference to the accompanying drawings in which similar parts are likewise numbered, and in which:

Fig. 1 is a pictorial view of a liquid drug medical device in accordance with the first aspect of the present invention, a pre-filled syringe, a vial containing a drug concentrate, and an empty packaging previously housing the
20 liquid drug medical device;

Fig. 2 is a top view of Figure 1's packaging opened but prior to removal of the liquid drug medical device;

Fig. 3 is an exploded view of the liquid drug medical device of Figure 1 having a built-in needle for administering a liquid drug to a subject;

25 Figs. 4A and 4B are cross sections respectively along lines A-A and B-B in Figure 2 of Figure 1's liquid drug medical device in its set-up position;

Figs. 5A-5F show the use of Figure 1's liquid drug medical device for preparing a liquid drug ready for administration to a subject;

- 5 -

Fig. 6 is a cross section of a second preferred embodiment of a liquid drug medical device of the present invention including an atomizer;

Fig. 7 is a cross section of a third preferred embodiment of a liquid drug medical device of the present invention including a drug dispenser port;

5 Fig. 8 is a perspective view of a liquid drug medical device in accordance with the second aspect of the present invention, a syringe with a syringe tip with a protruding lip, and a vial containing a drug concentrate;

Fig. 9 is a longitudinal cross section of a first embodiment of Figure 8's liquid drug medical device along line C-C in Figure 8;

10 Fig. 10 is a longitudinal cross section of a second embodiment of Figure 8's liquid drug medical device along line C-C in Figure 8;

Fig. 11 is a longitudinal cross section of a third embodiment of Figure 8's liquid drug medical device along line C-C in Figure 8;

15 Fig. 12 is a perspective view of a syringe with a protected needle and a needle shield removal device in accordance with the third aspect of the present invention;

Fig. 13 is an exploded view of the needle shield removal device of Figure 12;

20 Fig. 14 is a longitudinal cross section of the needle shield removal device of Figure 12 in its first operative state;

Fig. 15 is a longitudinal cross section of the needle shield removal device of Figure 12 in its second operative state;

Fig. 16 is a longitudinal cross section showing placement of the needle shield removal device on a syringe with a protected needle;

25 Fig. 17 is a longitudinal cross section showing detachment of the needle shield from the syringe to expose its needle; and

Fig. 18 is a longitudinal cross section showing removal of the needle shield removal device together with the needle from the syringe.

- 6 -

Detailed Description of Preferred Embodiments of the Invention

Figure 1 shows a liquid drug medical device 10 for use with a typically pre-filled syringe 11 having a clockwise threaded male Luer lock connector 12, and a vial 13 having a rubber stopper 14 and containing a dry powder drug concentrate 16 but could equally contain a liquid drug concentrate. The liquid drug medical device 10 is designed to reconstitute the drug concentrate in the vial 13 for aspiration into the syringe 11 ready for typically self-administration. The liquid drug medical device 10 is typically packaged in a sealed sterile non-pyrogenic packaging 17 including a transparent plastic casing 18 with a peel off cover 19 shown partially removed for enabling removal of the liquid drug medical device 10. The casing 18 has a longitudinally directed stopper 21 for stopping rotation of the liquid drug medical device 10 at a set-up position pursuant to screwing the syringe 11 onto the liquid drug medical device 10 (see Figure 2).

Figures 3 and 4 show that the liquid drug medical device 10 has a longitudinal axis 22, and includes a base member 23 having a first port 24, a flow control member 26 having a second port 27 and a third port 28 provided with a needle stick 29, and a vial adapter 31 (constituting an adapter) removably attachable to the base member 23. The first port 24 has a clockwise threaded female Luer connector 32 for screw threadingly receiving the syringe's clockwise threaded male Luer connector 12 in a clockwise direction. The base member 23 has a chamber 33 with an annular recess 34 for snap fit receiving an annular flange 36 formed on the flow control member 26 whereby the flow control member 26 is rotatably supported in the chamber 33 about an axis of rotation 37 co-axial with the longitudinal axis 22. The first port 24 is in fluid communication with the chamber 33 via a radially directed bore 38 perpendicular to the axis of rotation 37. The base member 23 has a pair of laterally protruding members 39A and 39B at its proximal end for stopping against the stopper 21,

- 7 -

and a pair of half turn screw threads 41A and 41B for enabling screw thread engagement of the vial adapter 31 thereonto.

The vial adapter 31 has an elongated stem 42 including a fluid conduit member 43 with a proximal end 43A in fluid communication with the second port 27 on attachment of the vial adapter 31 on the base member 23, and a pointed distal end 43B for puncturing the vial's rubber stopper 14 on its positive insertion into the vial adapter 31 and extending slightly therebeyond so that on inverting the vial its nearly entire contents can be aspirated thereinto (see Figure 5E). The stem 42 includes a bore 44 parallel to the fluid conduit member 43 and largely co-extensive therewith for accommodating the needle stick 29 therein on attachment on the vial adapter 31 on the body member 23. The stem 42 has a proximal end 42A with a pair of laterally protruding arms 46A and 46B for screw threading onto the pair of half turn screw threads 41A and 41B, and for stopping against the stopper 21. The screw threads 41A and 41B are screw threaded in a counter direction to the male and female threaded Luer connectors 12 and 32 such that screwing the syringe 11 onto the base member 23 causes the vial adapter 31 to be fully threaded onto the base member 23, and rotation of the liquid drug medical device 10 in the casing 18 such until both the base member's member 39A and the vial adapter's arm 46A abut against the stopper 21 thereby priming the liquid drug medical device 10 into its set-up position. The proximal end 42A is formed with a slot 47 for receiving a downward depending key 48 formed on the underside of the flow control member 26 thereby coupling the vial adapter 31 to the flow control member 26 such that manual rotation of the vial adapter 31 correspondingly rotates the flow control member 26.

The second port 27 is in flow communication with the first port 24 via a first major flow duct 48 parallel to and non-coaxial with the axis of rotation 37 and a first minor flow duct 49 in registration with the bore 38 in a first flow control position of the flow control member 26 in the set-up position of the liquid drug medical device 10 (see Figure 4A). The third port 28 is in flow communication with the first port 24 via a second major flow duct 51 parallel to

- 8 -

and non-coaxial with the axis of rotation 37 and a second minor flow duct 52 in registration with the bore 38 in a second flow control position of the flow control member 26 when the vial adapter 31 is rotated through a half turn ready for axial detachment from the base member 23 along a line of detachment co-directional
5 with the longitudinal axis 22 (see Figure 5E).

The use of the liquid drug medical device 10 is now described with reference to Figures 5A-5F:

The peel off cover 19 is removed from the casing 18 and a pre-filled syringe 11 is screw threaded clockwise onto the female Luer connector 32 (see
10 Figure 5A). The liquid drug medical device 10 may initially rotate within the casing 18 depending on its initial placement therein but stops rotating when primed into its set-up position. The liquid drug medical device 10 is withdrawn from the casing 18 and the vial 13 is positively inserted into the vial adapter 31 such that the fluid conduit member 43 punctures its rubber stopper 14 (see Figure
15 5B). The syringe's contents are injected into the vial 13 (see Figure 5C), and the entire assembly including the liquid drug medical device 10, the now empty syringe 11, and the vial 13 is shaken to reconstitute the vial's dry powder drug concentrate. The entire assembly is inverted and the syringe 11 is aspirated to draw the reconstituted liquid drug thereinto (see Figure 5D). The vial adapter 31
20 is rotated through a half turn counterclockwise to rotate the flow control member 26 into its second flow control position for connecting the syringe 11 with the needle stick 29, and simultaneously enabling axial detachment of the vial adapter 31 with the spent vial 13 from the base member 23 (see Figure 5E). The liquid drug medical device 10 is now ready for administering the reconstituted liquid
25 drug via the still dry needle stick 29 to a subject (see Figure 5F).

Figure 6 shows a liquid drug medical device 61 having a flow control member 62 provided with an atomizer 63.

Figure 7 shows a liquid drug medical device 66 having a flow control member 67 provided with a drug dispenser port 68.

- 9 -

Figure 8 shows a liquid drug transfer device 100 for use with a syringe 101 having a syringe tip 102 with a distal tip 103 having a projecting lip 104 for blocking the sliding mounting of a conventional needle with a female Luer connector thereon, and a vial 106 having a rubber stopper 107 and containing a dry powder drug concentrate 108 but could equally contain a liquid drug concentrate. The liquid drug transfer device 100 includes a vial adapter 111 with a top wall 112, a resiliently deformable slitted skirt 113 for snap fitting onto the vial 106, and a hollow puncturing member 114 (see Figures 9-11) for puncturing the vial's rubber stopper 107, and an elastomer tubing 116 in flow communication with the puncturing member 114 and having a distal end 117 for sealingly fitting over the syringe's projecting lip 104 for enabling flow communication between the syringe 101 and the vial 106. The tubing 116 typically has a length $L = 10-20$ mm and a nominal internal diameter $D1 = 3-4$ mm which can be readily stretched to at least 6 mm to sealingly fit over the projecting lip's diameter $D2 > D1$ without tearing, ripping, and the like. The tubing 116 is preferably formed from one of the following substances: PVC, silicone, rubber, and the like.

Figure 9 shows a liquid drug transfer device 100 including a vial adapter 111 with an upright nipple 118 having tubing 116 press fitted or bonded thereon. Figure 10 shows a liquid drug transfer device 100 having a vial adapter 111 over molded (or otherwise known as insert molded) around the tubing 116. Figure 11 shows a liquid drug transfer device 100 manufactured using two material injection molding, namely, the vial adapter 111 and the tubing 116 are made in one and the same mold.

Figure 13 shows a needle shield removal device 200 for use with a liquid drug medical device 201 fitted with a needle 202 protected by a needle shield 203. The liquid drug medical device 201 can be in the form of a syringe, a MIXJECT[®] fluid control device commercially available from Medimop Medical Projects Ltd, Ra'anana, Israel, and the like. The liquid drug medical device 201 includes a male Luer lock connector 204 with a distal annular end face 206. The

- 10 -

needle 202 includes a hub 207 with a ribbed surface 208 and a flange rim 209 for screw insertion into the male Luer lock connector 204, and a needle stick 211. The needle shield 203 includes a flanged rim 212 and is designed to snap fit onto the ribbed surface 208 to shield the needle stick 211 whereupon the flanged rim 212 is separated from the end face 206 by an about 1-2mm gap. The needle shield removal device 200 is designed to positively slide the needle shield 203 by an about 1mm-2mm stroke sufficient to release the needle shield 203 from the liquid drug medical device 201, thereby safely and conveniently exposing the needle stick 211.

10 Figure 14 shows the needle shield removal device 200 includes a triple-legged base member 214, a compression spring 216, and a triple legged needle shield release member 217. The base member 214 has a cap 218 with a top wall 219, an outer wall 221 with an undercut 222, and an inner wall 223 defining a tubular cavity 224 with the outer wall 221 for receiving the compression spring 216. The inner wall 223 is formed with three support legs 226 equidistant therearound, and each occupying an arc angle of about 60°. The support legs 226 terminate in flat end faces 227 for abutment against the end face 206 on slidingly mounting the needle shield removal device 200 onto the liquid drug medical device 201 with the protected needle 202.

20 The needle shield release member 217 has an annular head 228 formed with a retaining tab 229 for stopping against the undercut 222 for retaining the needle shield release member 217 in the base member 214 on snap fit insertion of the head 228 into the tubular cavity 226. The head 228 has a pair of oppositely directed laterally extending finger supports 231 for enabling a compression force to be applied to the compression spring 16 for enabling the needle shield release member 217 to be positively urged into the base member 214 from an outward spring biased position (see Figure 15) to an inward hand compressed position (see Figure 16). The head 228 is formed with three needle shield clamping legs 232 equidistant therearound and intended to be interposed between adjacent support legs 226 on assembly of the needle shield removal device 213. The

25

30

needle shield release legs 232 also each occupy an arc angle of about 60° similar to the support legs 226 such that the needle shield removal device 213 circumscribes a needle shield 203 on its sliding mounting the liquid drug medical device 201 with the protected needle 202. The needle shield clamping legs 232 terminate in inwardly directed needle shield grips 233 flush with the end faces 227 in the outward spring biased position (see Figure 14) and are intended for bearing against the needle shield's flange rim 212 facing the end face 206 on application of the compression force to positively draw the needle shield release member 217 into the base member 213.

The use of the needle shield removal device 200 is as follows:

10 The user holds the liquid drug medical device 201 with the protected needle 202 in one hand and the needle shield removal device 200 in his other hand. The user slidingly mounts the needle shield removal device 200 onto the liquid drug medical device 201 until the needle shield grips 233 snap fit over the flange rim 212 and the end faces 227 abut against the end face 206 (see Figure 16). The user places his thumb on the top wall 219 and his digit finger and middle finger against the undersides of the finger supports 231 so that he can apply a compressive force to urge the needle shield release member 217 into the base member 214. The needle shield release member 217 by virtue of its needle shield grips 233 bearing against the needle shield's flange rim 212 entrains the needle shield 203 therewith, thereby safely and conveniently exposing the needle stick 211 for injection purposes. The user disposes of the spent liquid drug medical device 200 with its exposed needle stick 211 in a sharps container.

Although the subject matter has been described in language specific to structural features and/or methodological acts, it is to be understood that the subject matter defined in the appended claims is not necessarily limited to the specific features or acts described above. Rather, the specific features and acts described above are disclosed as example forms of implementing the claims.

1. A liquid drug medical device for use with a source of physiological solution and a medicinal vessel for administration of a liquid drug, the device having a longitudinal axis, and comprising:

(a) a body member having a first port for fluid connection with the source of physiological solution, said first port being co-directional with the longitudinal axis;

(b) a flow control member rotatably mounted in said body member about an axis of rotation, and having a first major flow duct and a second major flow duct respectively terminating at a second port, and a third port for administering the liquid drug; and

(c) a manually rotatable vial adaptor for receiving the medicinal vessel, the manually rotatable vial adaptor having a fluid conduit member with a proximal end in flow communication with said second port and a distal end adapted to extend into the medicinal vessel on its attachment to said vial adaptor, and coupled to said flow control member for rotating the flow control member between a first flow control position which connects said first port with said second port, and a second flow control position which connects said first port with said third port,

said axis of rotation is co-directional with the longitudinal axis, and said first major flow duct and said second major flow duct are both substantially parallel to and non-coaxial with said axis of rotation and wherein said distal end of the fluid conduit member extends into a recess in the vial adaptor.

2. The device according to claim 1 wherein said vial adaptor is detachable from said body member at said second flow control position along a line of detachment co-directional with the longitudinal axis.

3. The device according to claim 2 wherein said first port has a screw thread for screw threadingly receiving the source of physiological solution in one direction and said vial adaptor screw threadingly detaches from said body member in an opposite direction.

4. The device according to claim 3 wherein the device is packaged in a sterile packaging and said body member has at least one laterally protruding member for stopping against an internal longitudinally directed stopper on the inside of the sterile packaging on screw

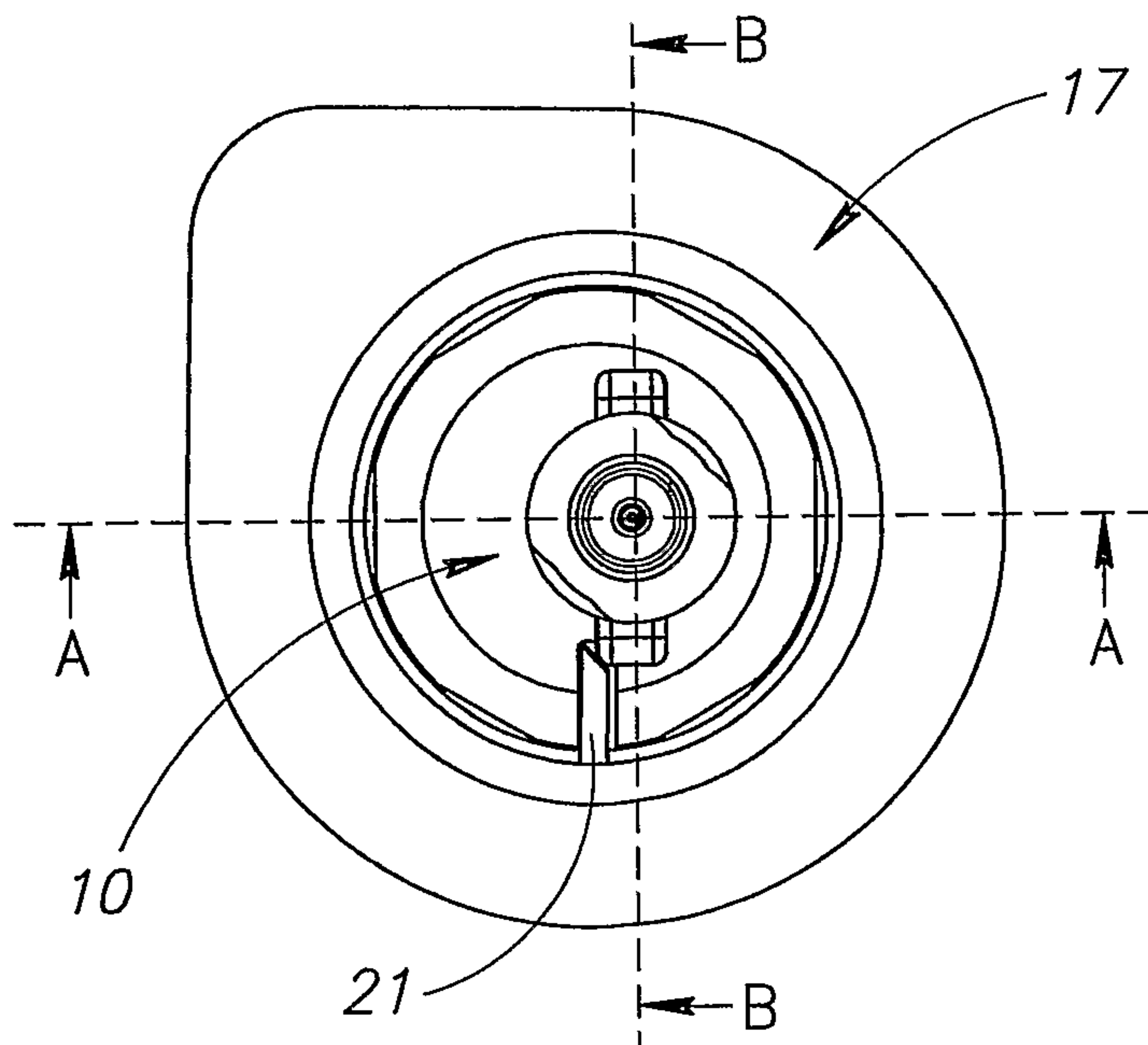
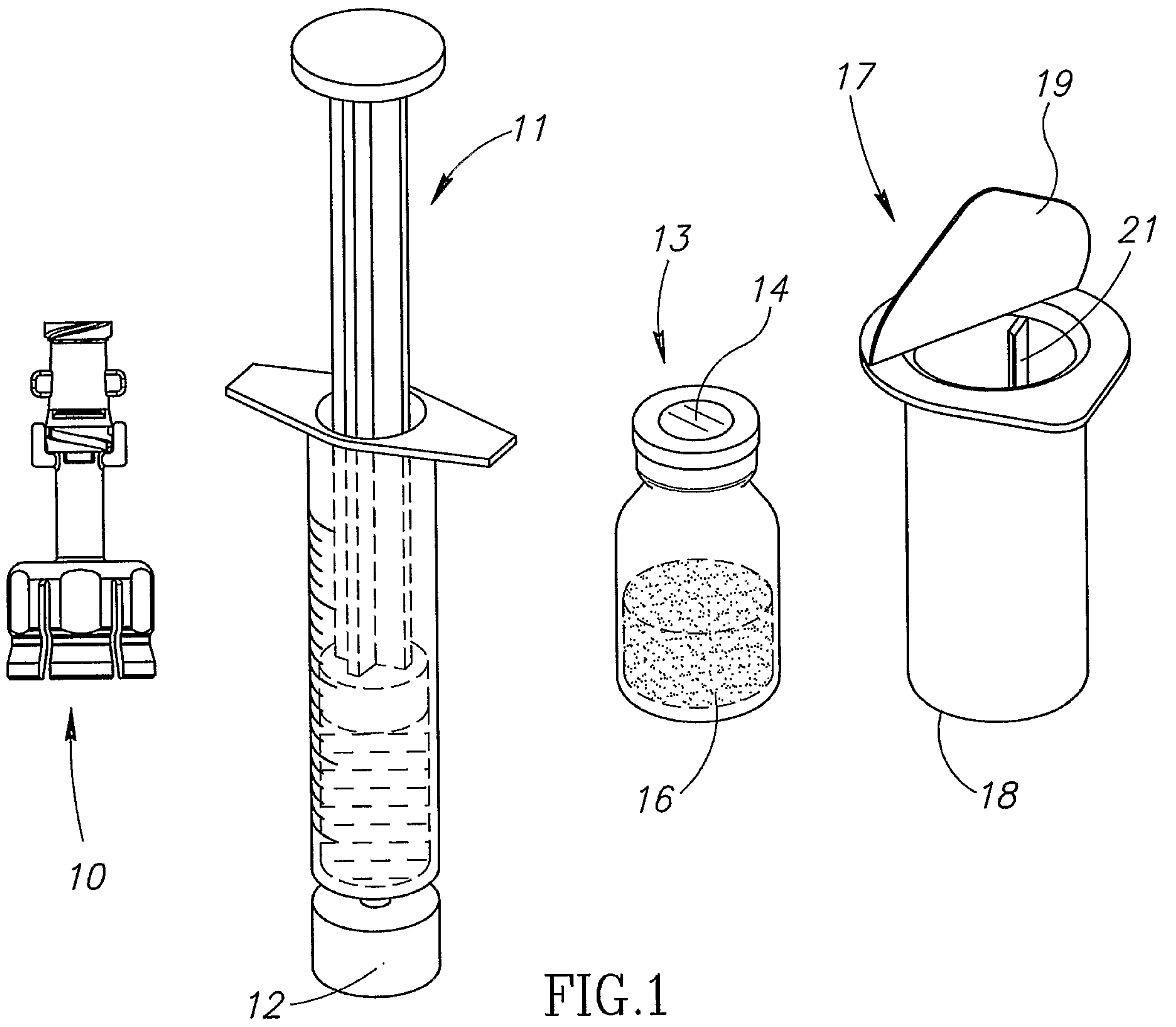
threading the source of physiological solution into said first port whereupon said flow control member is urged into said first flow control position.

5. The device according to any one of claims 1 to 4 wherein said vial adaptor has a stem including said fluid conduit member and a bore parallel thereto and co-extensive therewith for accommodating a drug dispenser coupled to said third port.

6. The device according to any one of claims 1 to 5 wherein said third port is fitted with a needle stick.

10

7. The device according to any one of claims 1 to 5 wherein said third port is fitted with an atomizer.



2/12

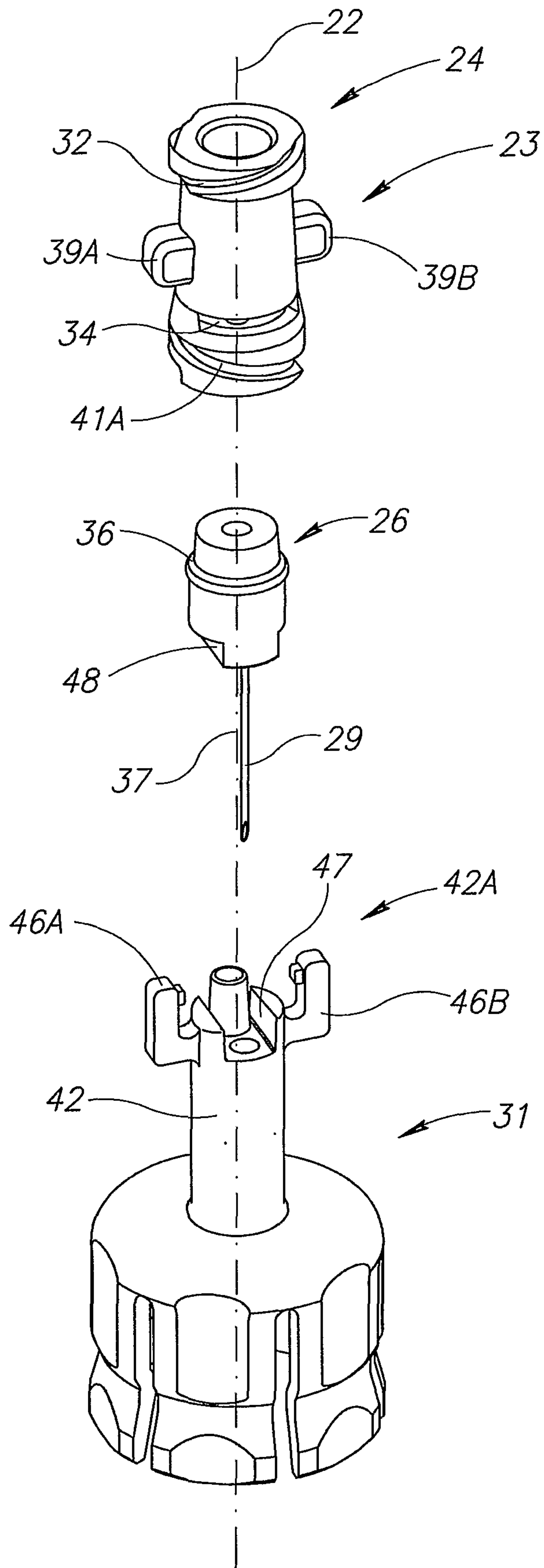


FIG. 3

3/12

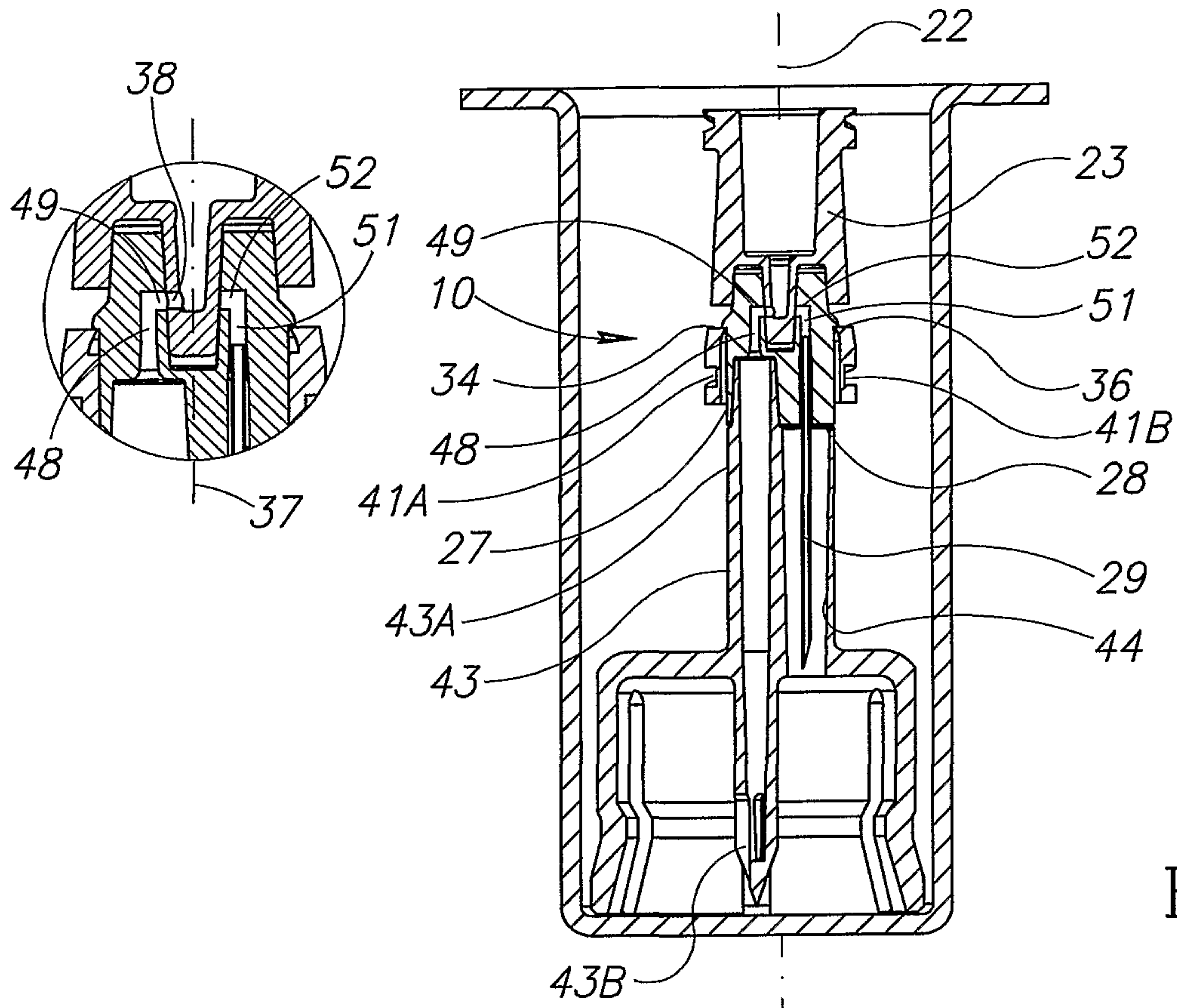


FIG. 4A

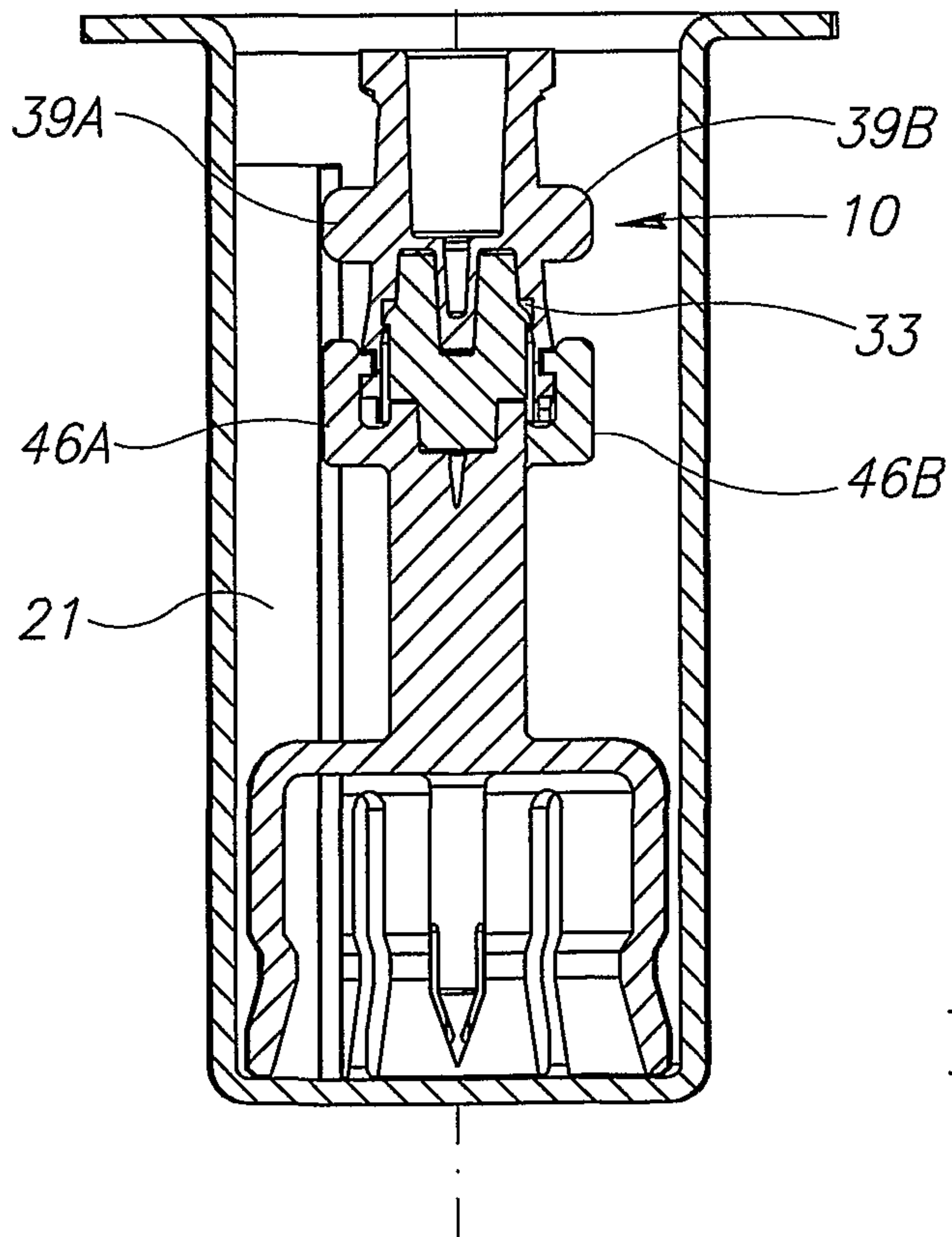


FIG. 4B

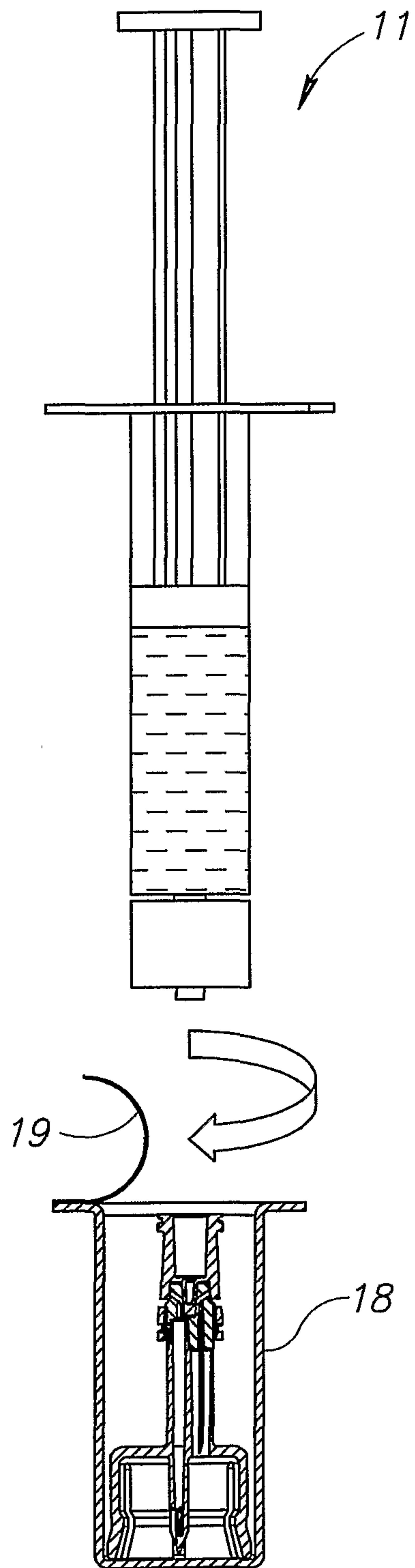


FIG. 5A

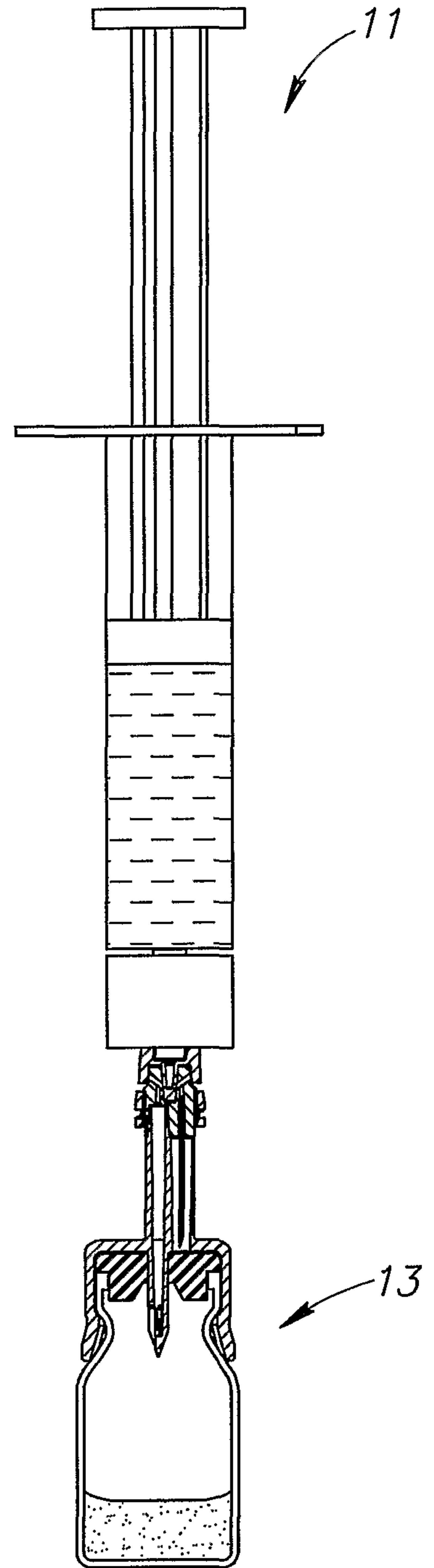


FIG. 5B

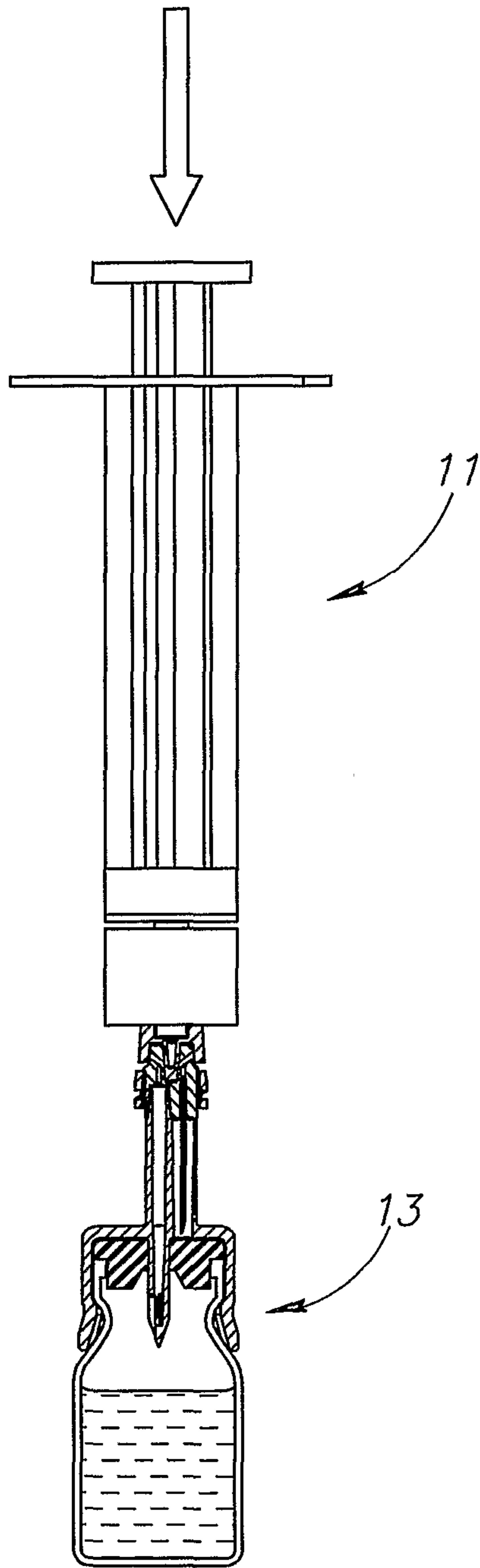


FIG. 5C

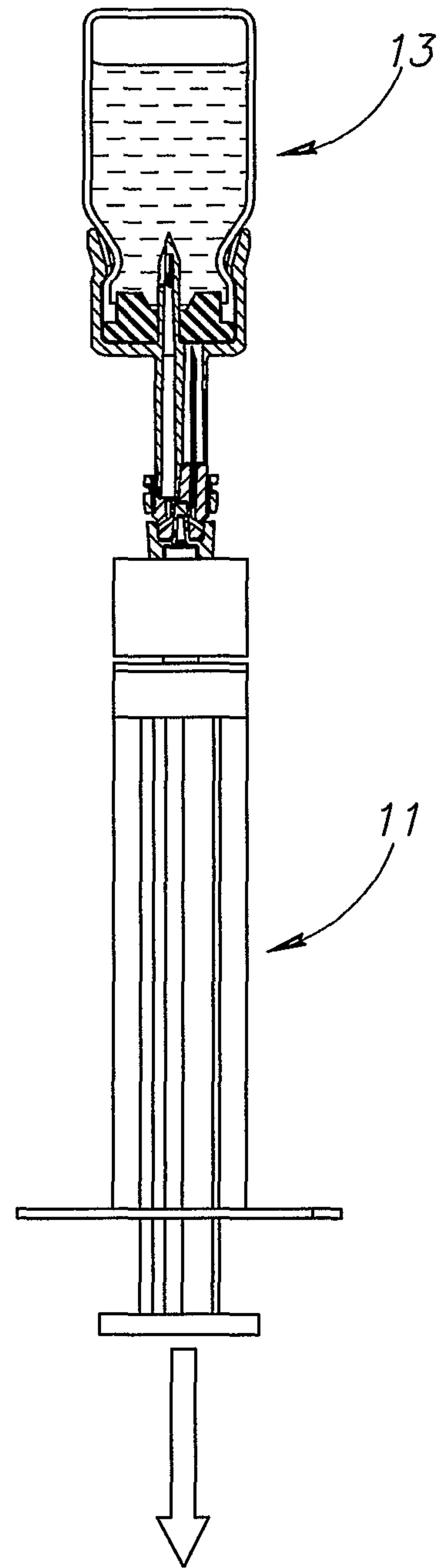


FIG. 5D

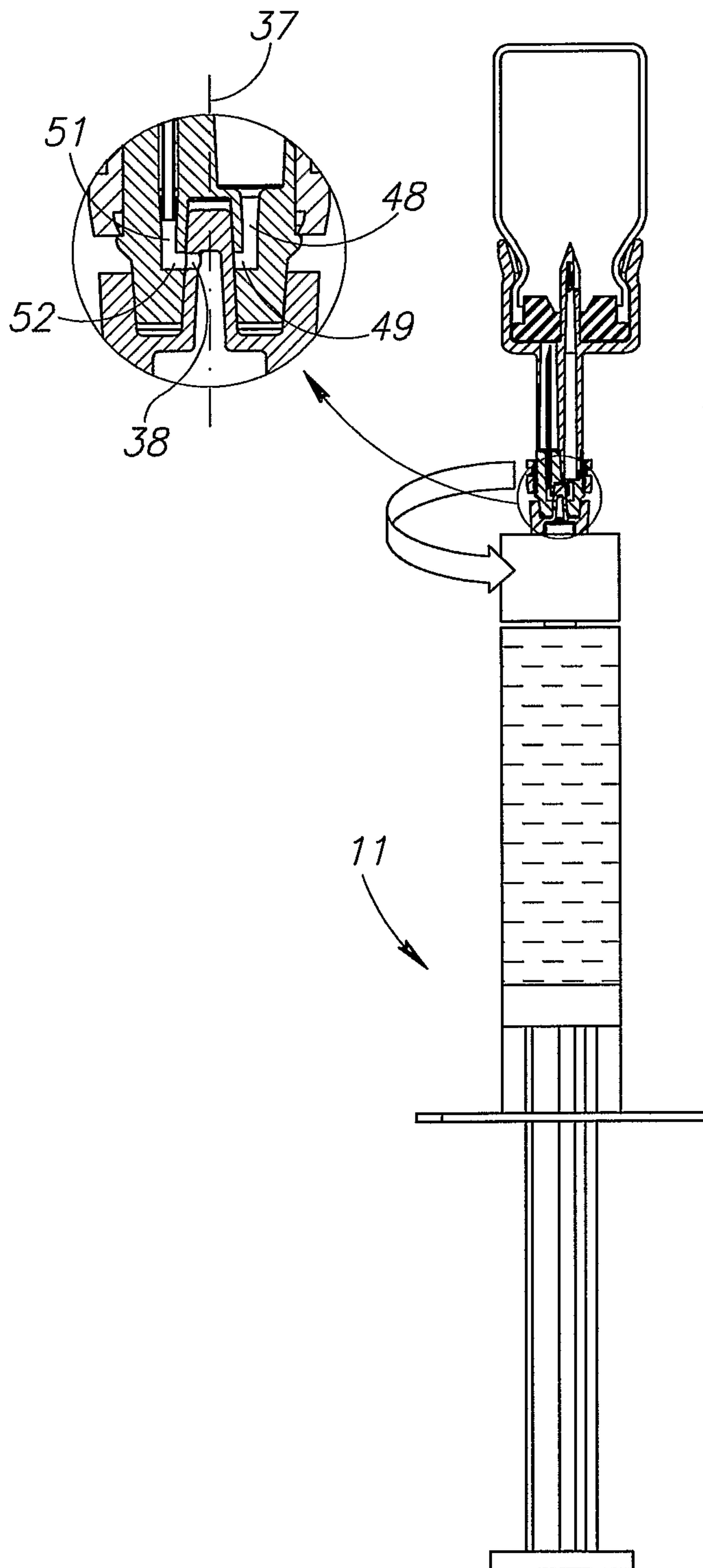


FIG. 5E

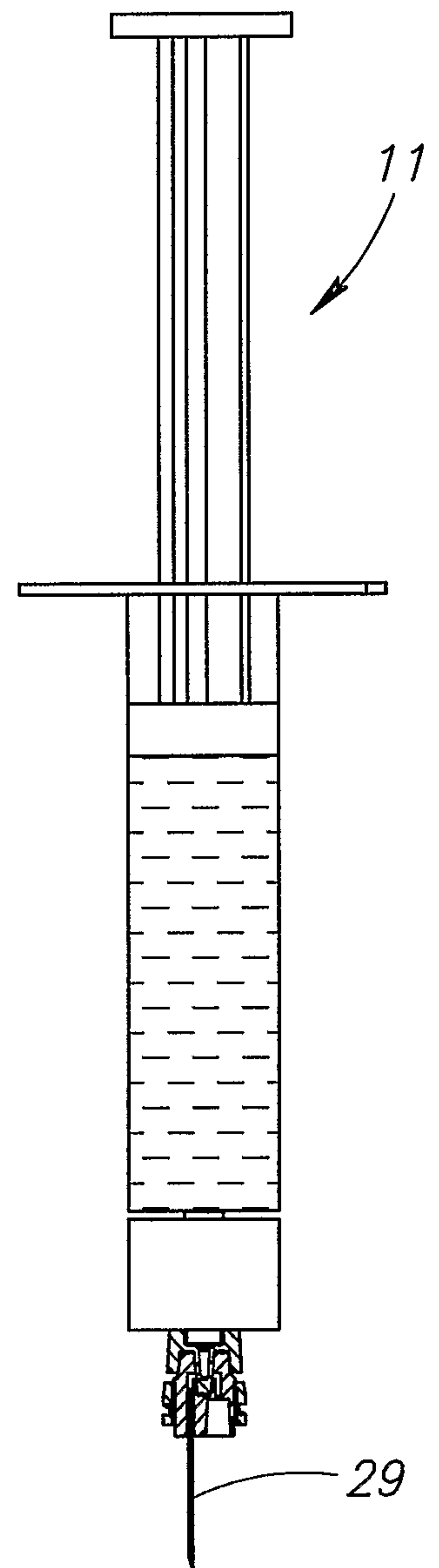


FIG. 5F

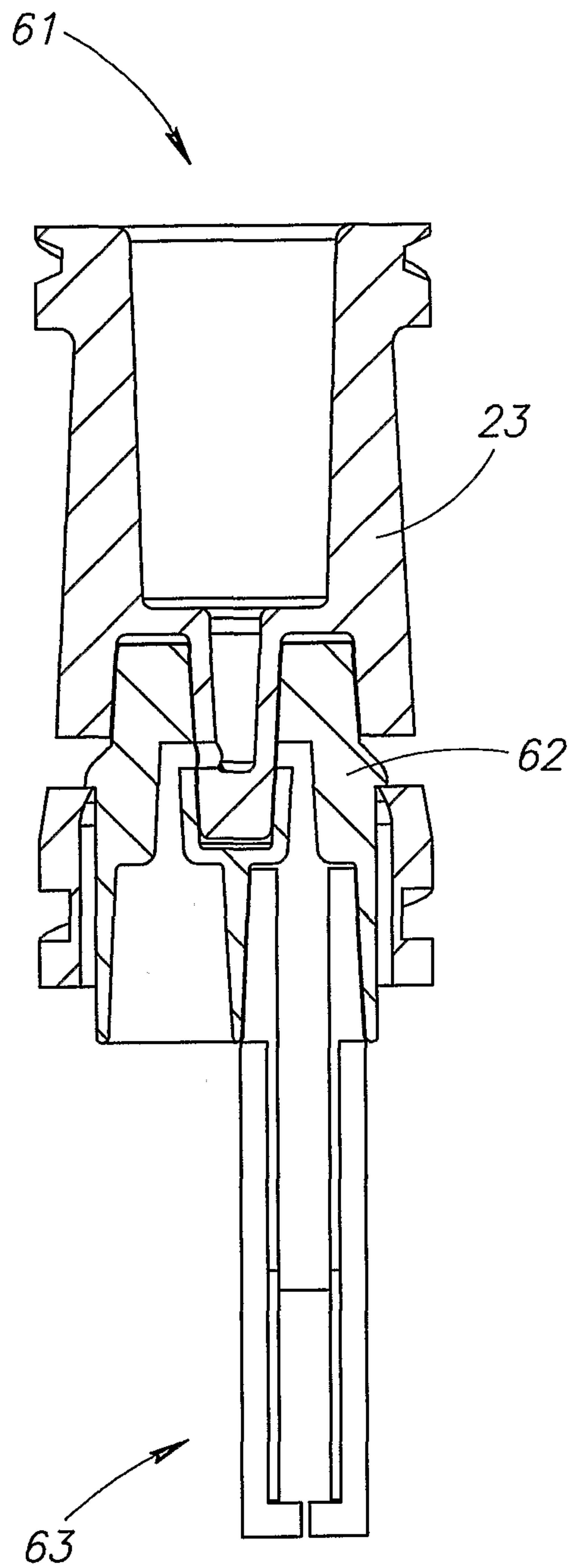


FIG. 6

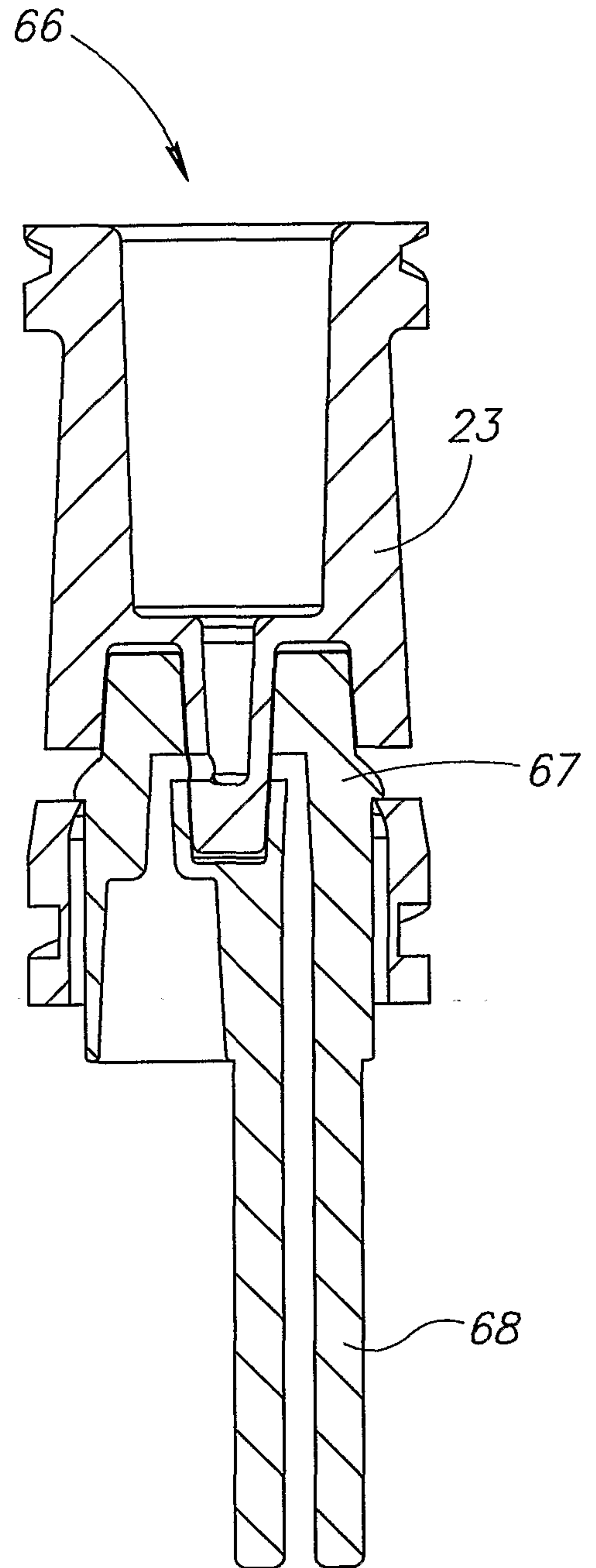


FIG. 7

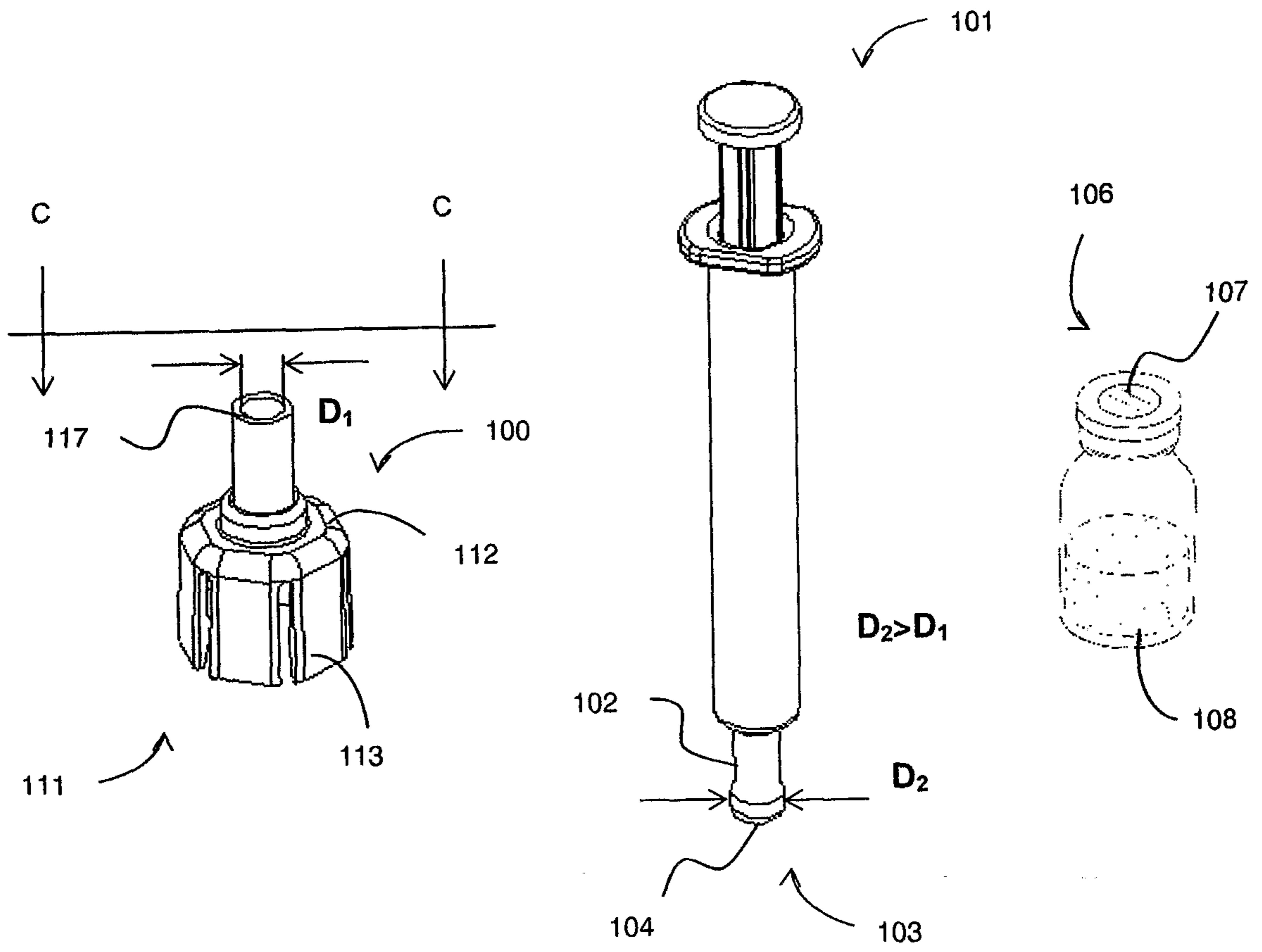


FIG. 8

9/12

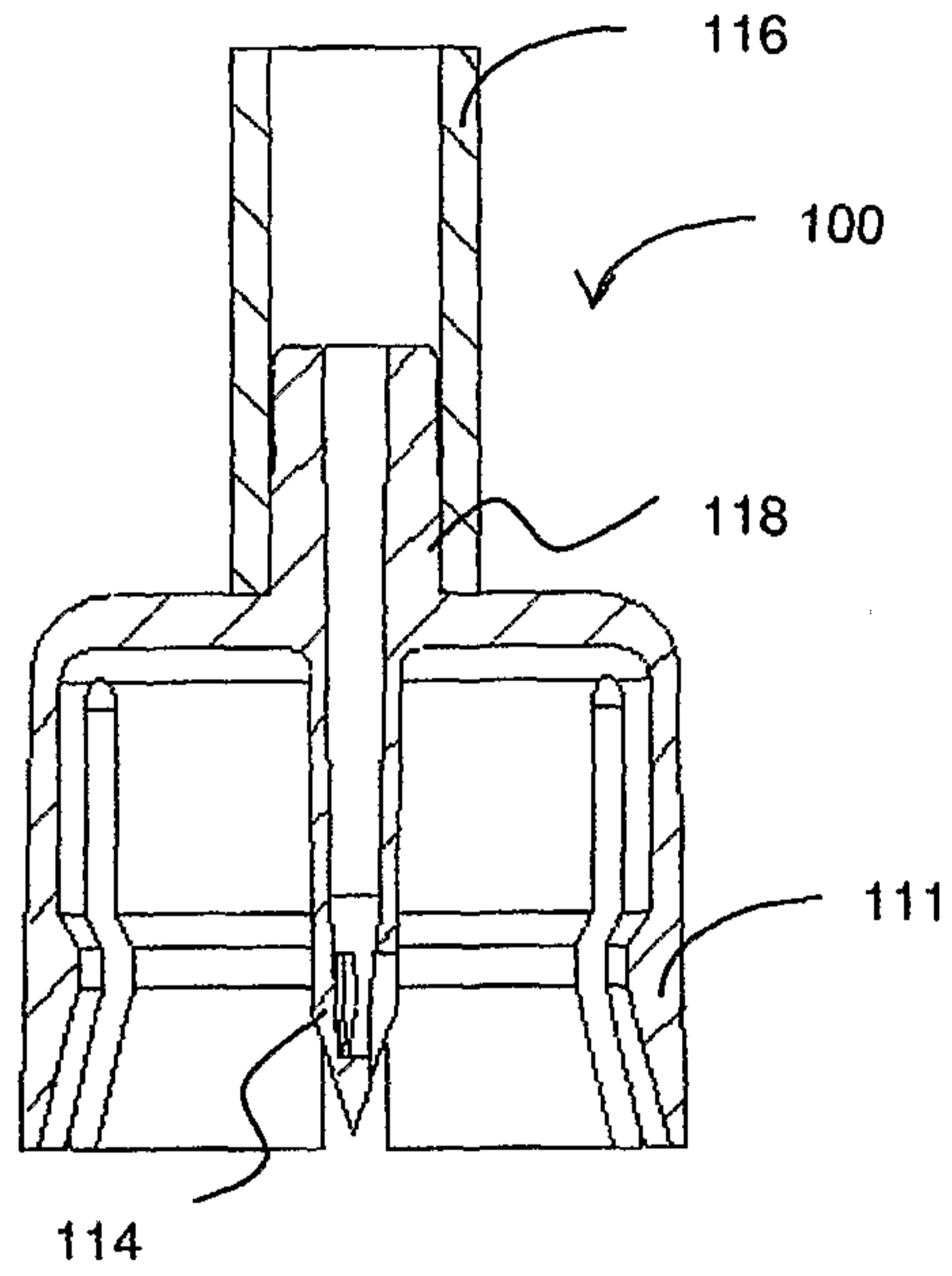


FIG. 9

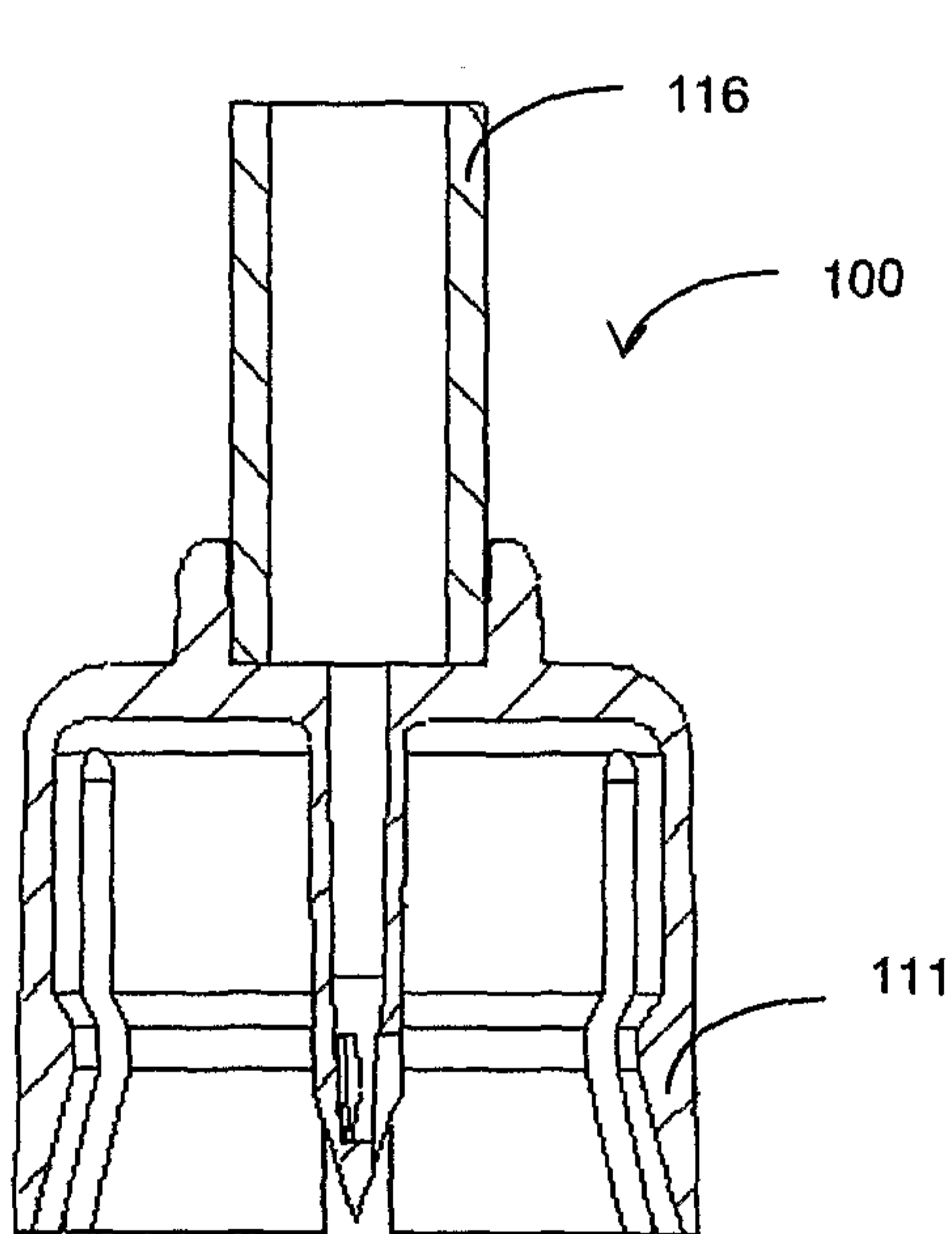


FIG. 10

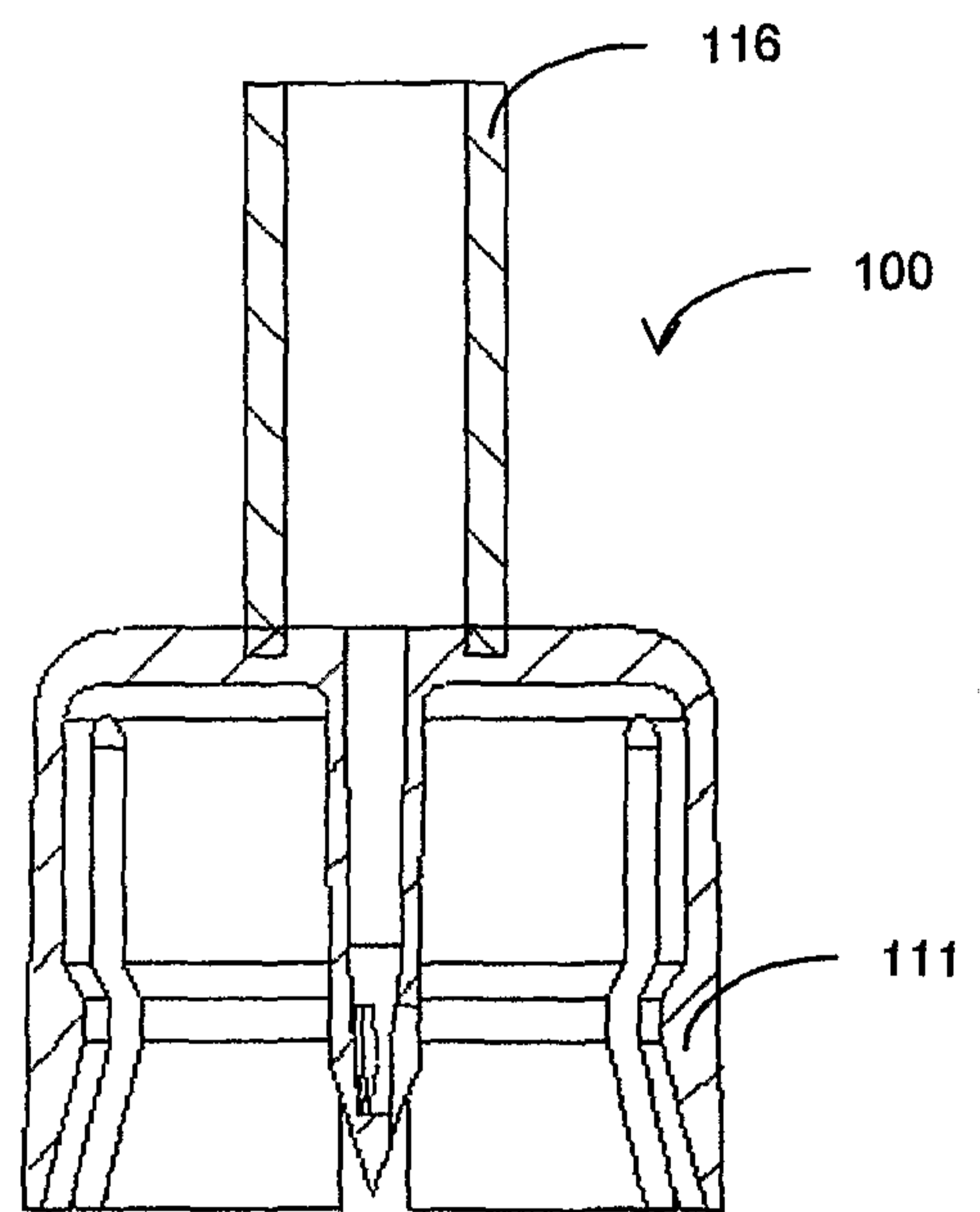


FIG. 11

10/12

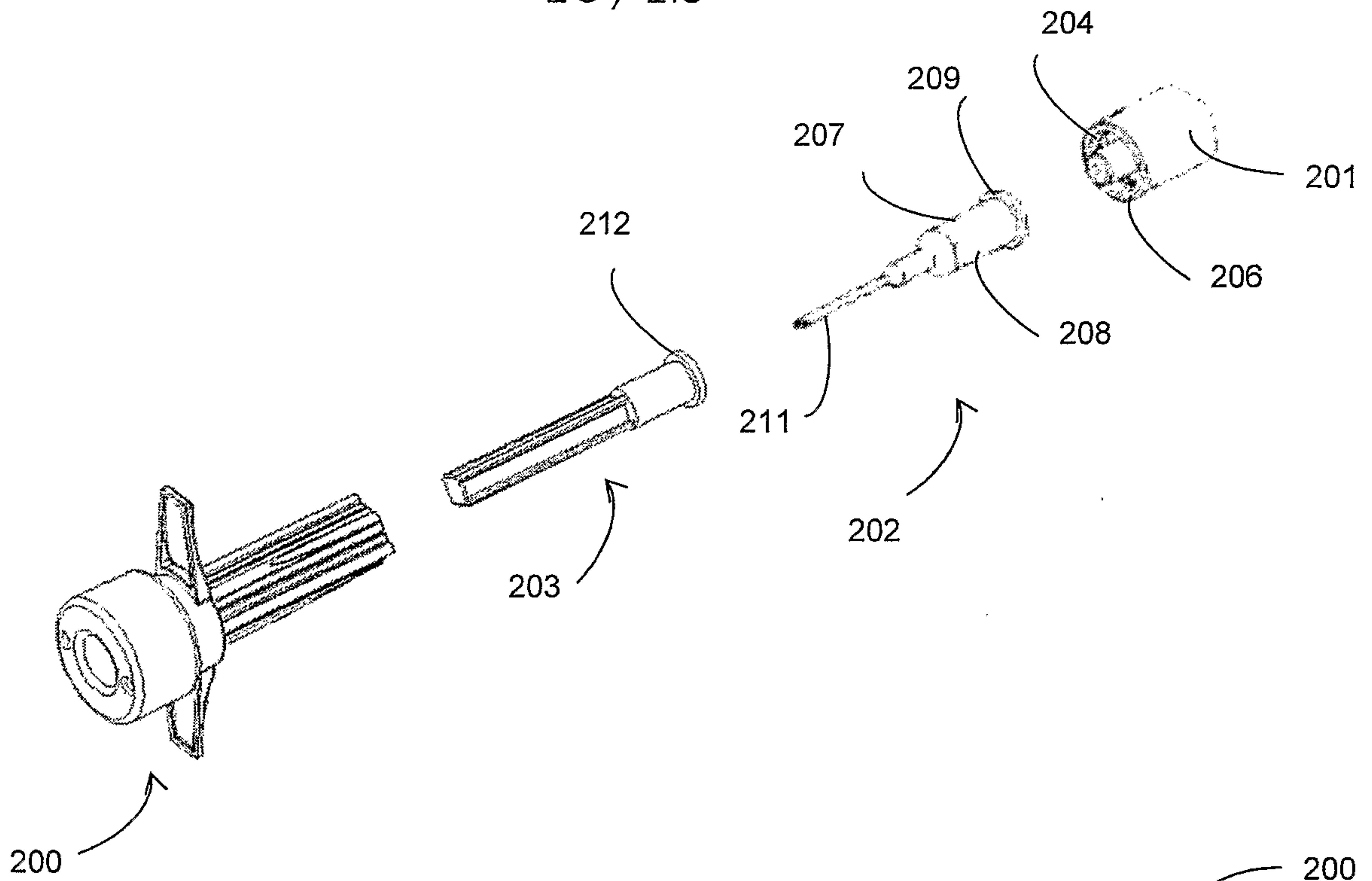


FIG. 12

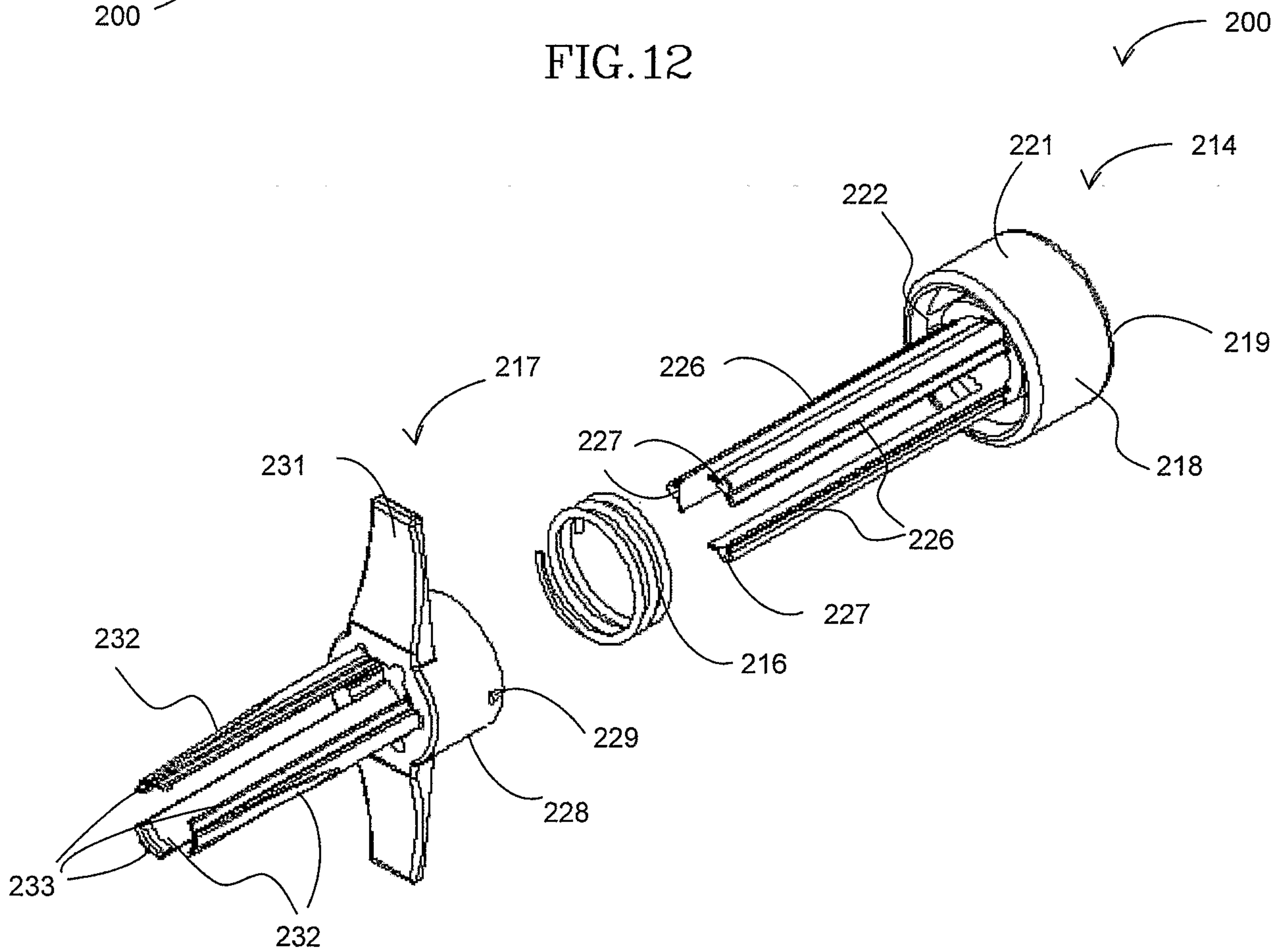


FIG. 13

11/12

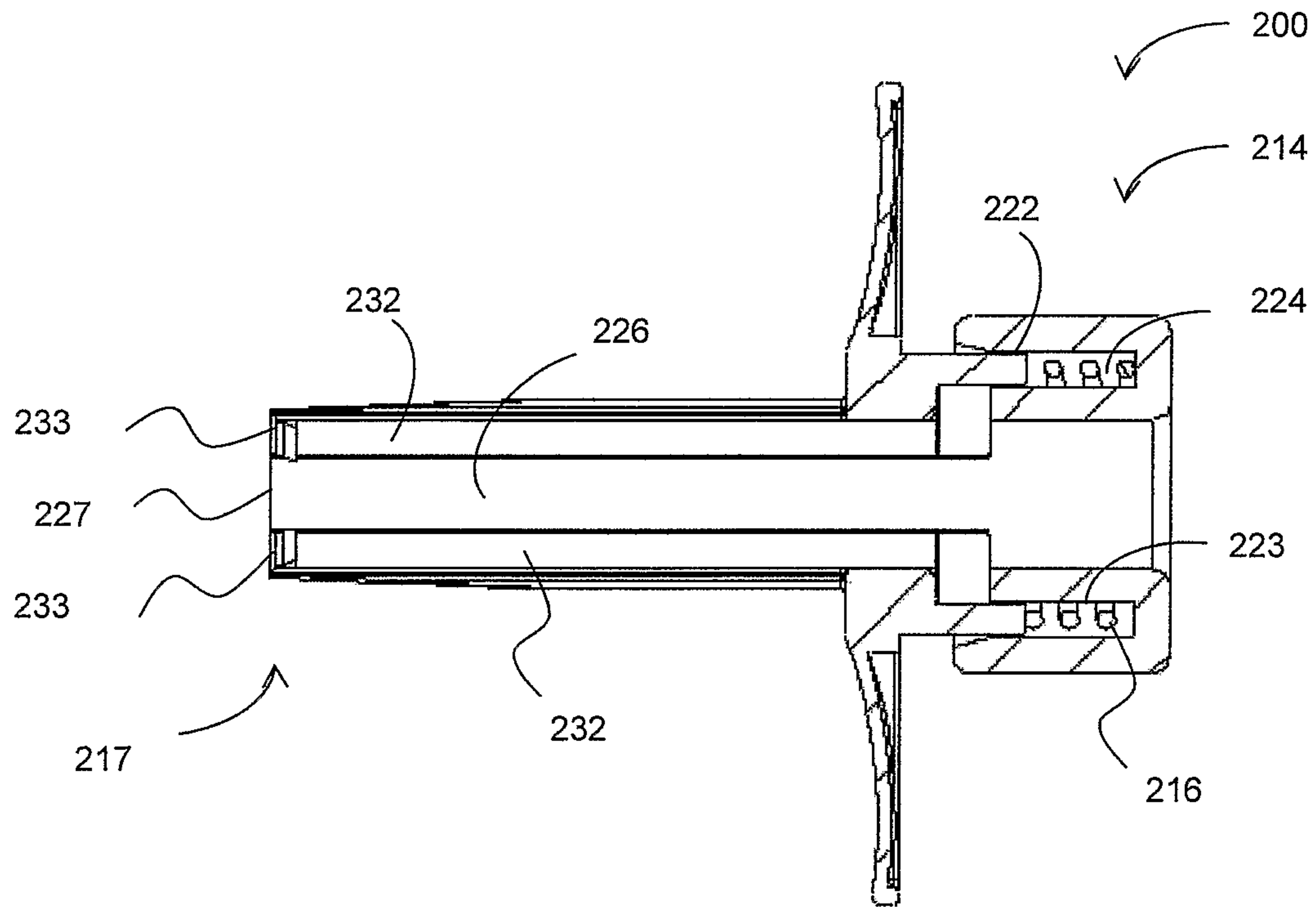


FIG. 14

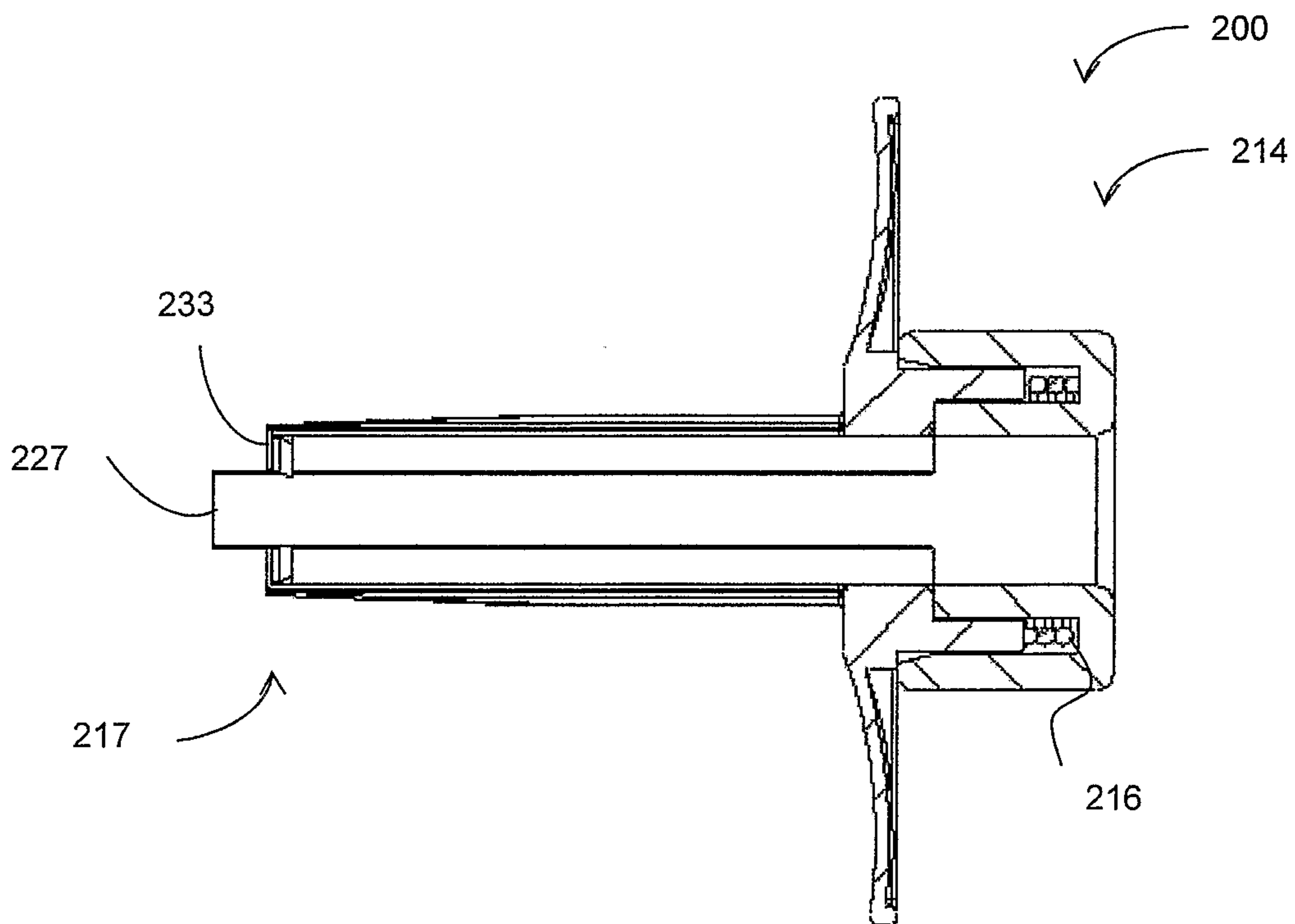


FIG. 15

12/12

