



US00D584635S

(12) **United States Design Patent**
Montgomery

(10) **Patent No.:** **US D584,635 S**

(45) **Date of Patent:** **** Jan. 13, 2009**

(54) **BOTTLE**

(75) Inventor: **Hugh Montgomery**, South Norwalk, CT (US)

(73) Assignee: **Bolthouse Juice Products, LLC**, Bakersfield, CA (US)

(**) Term: **14 Years**

(21) Appl. No.: **29/304,552**

(22) Filed: **Mar. 4, 2008**

(51) **LOC (9) Cl.** **09-01**

(52) **U.S. Cl.** **D9/571; D9/544; D9/545**

(58) **Field of Classification Search** D9/516,
D9/522, 529, 530, 537, 538, 539, 540, 541,
D9/542, 543, 544, 545, 546, 549, 558, 559,
D9/571, 574, 575; 215/381-385, 396, 398

See application file for complete search history.

(56) **References Cited**

U.S. PATENT DOCUMENTS

D10,716 S *	6/1878	Hood	D9/545
D97,720 S *	12/1935	Smith	D9/656
D192,452 S *	3/1962	Palazzo	D9/542
D205,798 S *	9/1966	Le Roy	D9/550
D212,590 S *	11/1968	Kastetin	D9/542
D236,801 S *	9/1975	Waring	D9/563
D287,933 S *	1/1987	Mills et al.	D9/500
D310,964 S *	10/1990	Weckman	D9/542
D333,986 S *	3/1993	Maginnis, Jr.	D9/569
D355,369 S *	2/1995	Lund et al.	D9/558
D365,752 S *	1/1996	Flanagan-Boos et al.	D9/658

D369,979 S *	5/1996	Krampe et al.	D9/542
D375,900 S *	11/1996	DeVore	D9/563
D384,890 S *	10/1997	Goldman	D9/520
D419,887 S *	2/2000	Dugan	D9/542
D450,596 S *	11/2001	Adee et al.	D9/563
D465,735 S *	11/2002	Woodall	D9/560
D505,624 S *	5/2005	Helps	D9/529
D555,500 S *	11/2007	Johnston et al.	D9/563

* cited by examiner

Primary Examiner—Stella M Reid

Assistant Examiner—Elizabeth J Oswecki

(74) *Attorney, Agent, or Firm*—Marc Karish; Sheldon Mak Rose & Anderson

(57) **CLAIM**

The ornamental design for a bottle, as shown and described.

DESCRIPTION

FIG. 1 is a perspective view of the bottle of the present invention;

FIG. 2 is a front elevational view of the bottle of FIG. 1, the rear having an identical image;

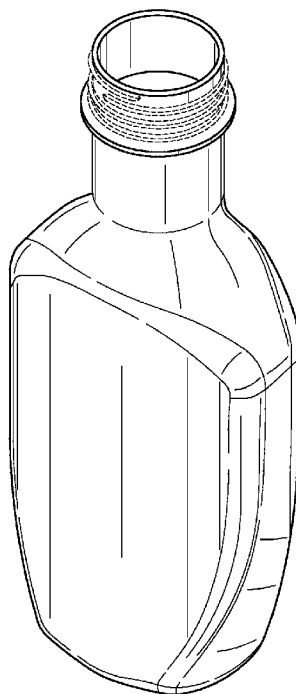
FIG. 3 is a top plan view of the bottle of FIG. 1;

FIG. 4 is a right side elevational view of the bottle of FIG. 1, the left side having an identical image; and,

FIG. 5 is a bottom plan view of the bottle of FIG. 1.

The broken line showing of a pour spout and bottom of the bottle are for illustrative purposes only and form no part of the claimed design.

1 Claim, 2 Drawing Sheets



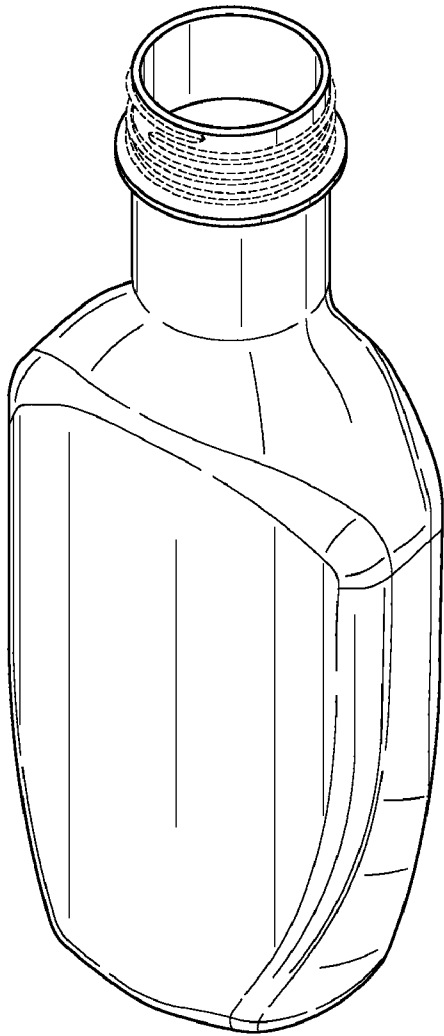


FIG. 1

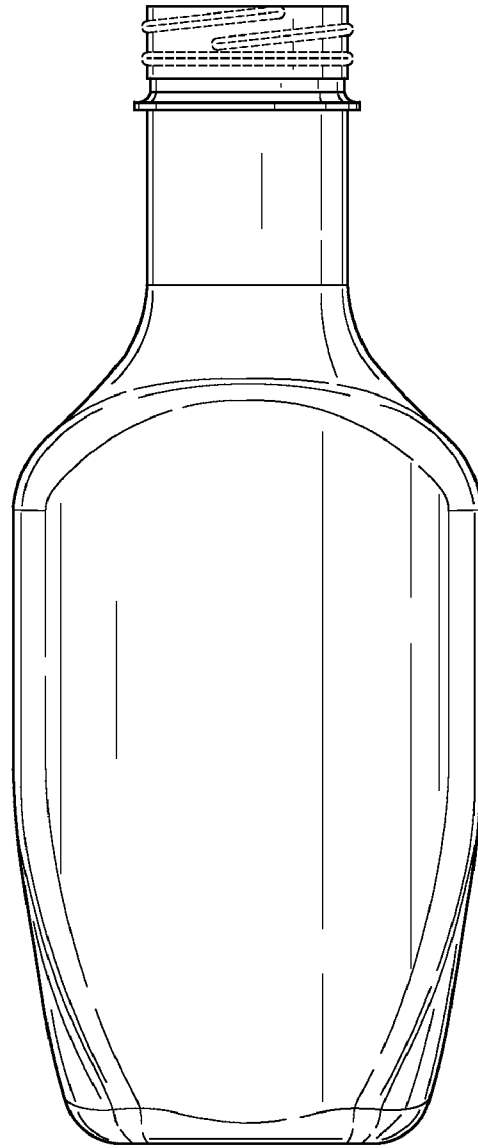


FIG. 2

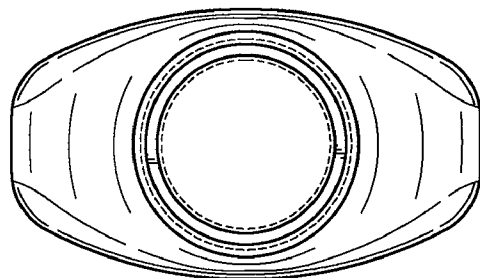


FIG. 3

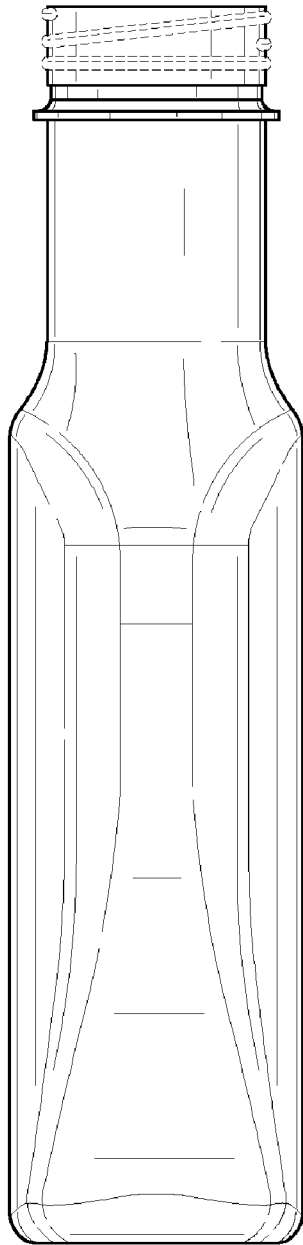


Fig. 4

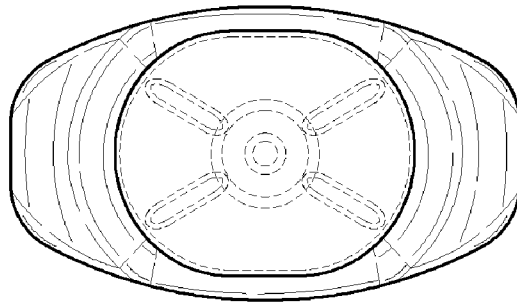


Fig. 5