



US00D596247S

(12) **United States Design Patent**
Wu

(10) **Patent No.:** **US D596,247 S**

(45) **Date of Patent:** **** Jul. 14, 2009**

(54) **COVER OF A VIBRATION TRAINER BASE**

(76) Inventor: **Mu-Chuan Wu**, No. 462-7, Chung-Shan Rd., Hsi-Kang Chun, Hsi-Kang Hsiang, Tainan Hsien (TW)

(**) Term: **14 Years**

(21) Appl. No.: **29/309,521**

(22) Filed: **Aug. 26, 2008**

(51) **LOC (9) Cl.** **21-02**

(52) **U.S. Cl.** **D21/694; D21/671**

(58) **Field of Classification Search** D21/662, D21/671, 686, 688, 689, 692; 601/23, 49, 601/51, 66, 70, 90; 482/27, 51, 145, 146, 482/91, 112, 113; D6/349

See application file for complete search history.

(56) **References Cited**

U.S. PATENT DOCUMENTS

D318,958 S *	8/1991	Ahlstrom et al.	D6/349
D330,235 S *	10/1992	Traetta et al.	D21/671
D342,298 S *	12/1993	Schnabel et al.	D21/671
D371,176 S *	6/1996	Furner	D21/671
D449,662 S *	10/2001	Monter Villar et al.	D21/686
D500,100 S *	12/2004	van der Meer	D21/662
D518,533 S *	4/2006	van der Meer	D21/662
D522,074 S *	5/2006	Dummel	D21/662
D538,358 S *	3/2007	Glier	D21/662
D548,291 S *	8/2007	Chiang	D21/662

D559,924 S *	1/2008	Wu	D21/661
D561,273 S *	2/2008	Wu	D21/662
D567,309 S *	4/2008	Schuurman et al.	D21/662
D571,416 S *	6/2008	Wu	D21/662
D574,900 S *	8/2008	Meile Marcel Tamminga ..	D21/662
D576,228 S *	9/2008	Hahn	D21/668
D586,867 S *	2/2009	Wu	D21/662
2005/0131319 A1 *	6/2005	der Meer	601/49

* cited by examiner

Primary Examiner—Philip S Hyder

(74) *Attorney, Agent, or Firm*—Hershkovitz & Associates, LLC; Abraham Hershkovitz

(57) **CLAIM**

The ornamental design for a cover of a vibration trainer base, as shown and described.

DESCRIPTION

FIG. 1 is a perspective view of a cover of a vibration trainer base, showing my new design;

FIG. 2 is a front view thereof;

FIG. 3 is a rear view thereof;

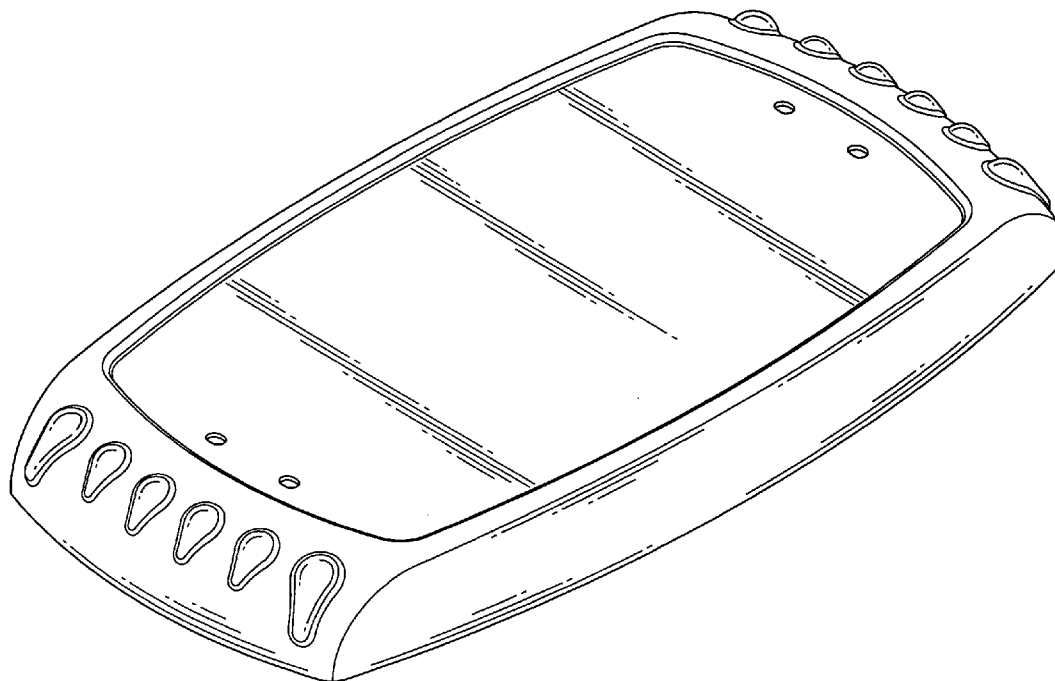
FIG. 4 is a left view thereof;

FIG. 5 is a right view thereof;

FIG. 6 is a top view thereof; and,

FIG. 7 is a bottom view thereof.

1 Claim, 5 Drawing Sheets



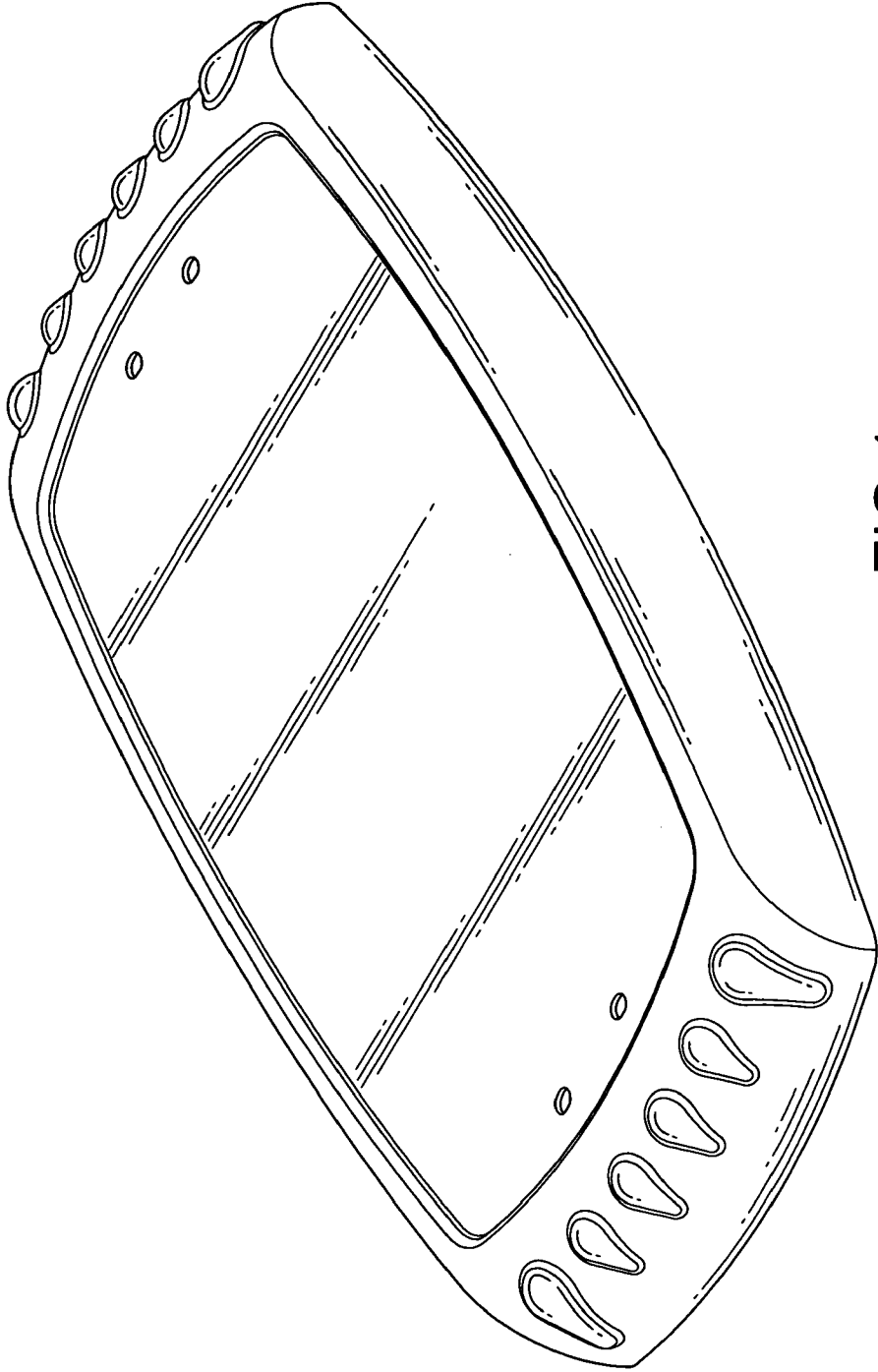


FIG.1

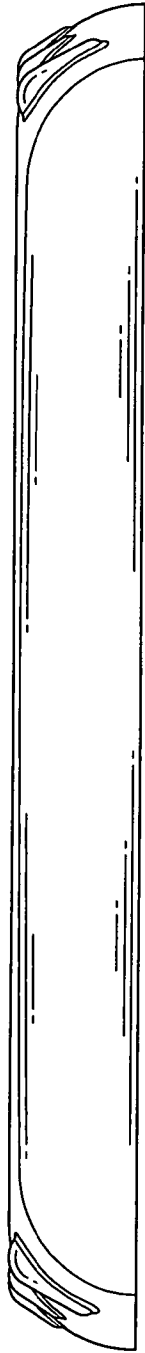


FIG. 2

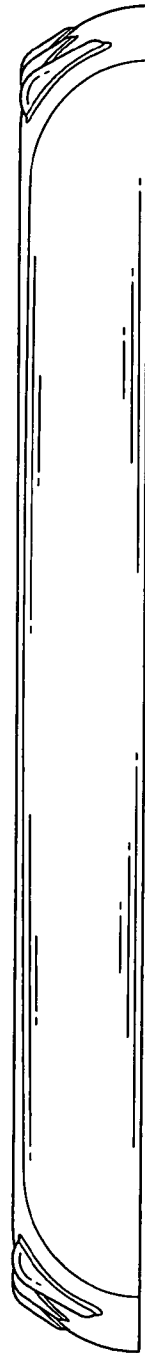


FIG. 3

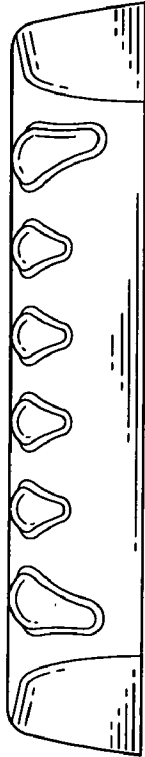


FIG. 4

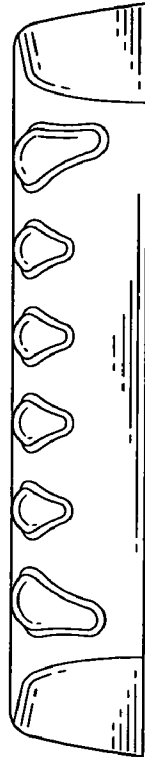


FIG. 5

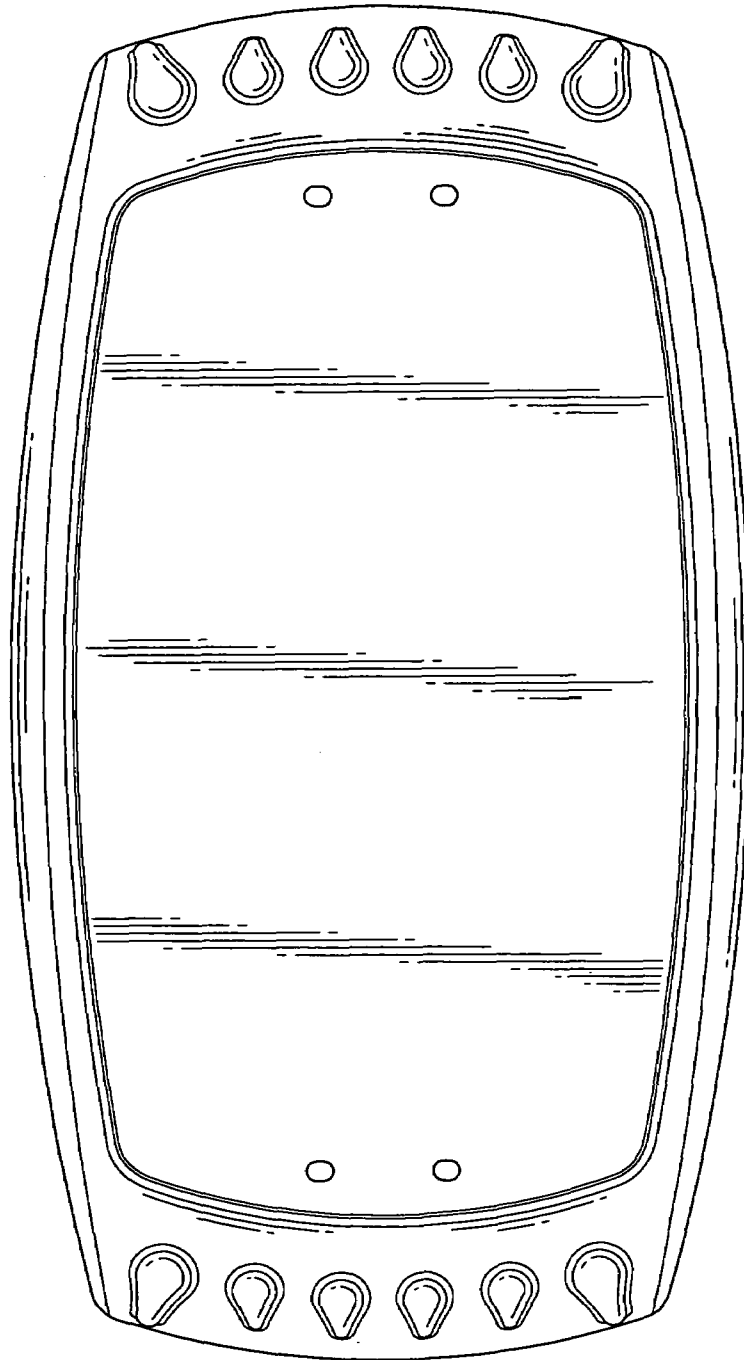


FIG.6

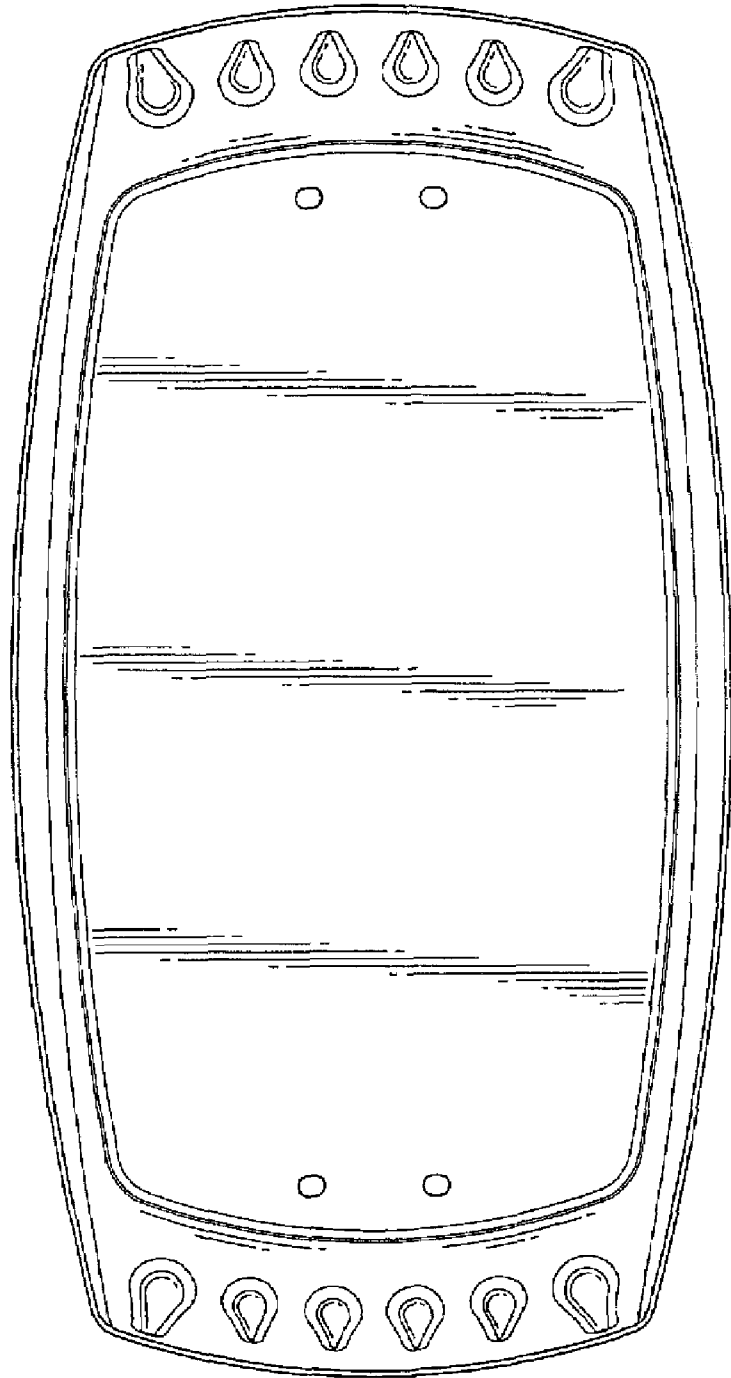


FIG.7