



US00D755650S

(12) **United States Design Patent**
King et al.

(10) **Patent No.:** **US D755,650 S**

(45) **Date of Patent:** **** May 10, 2016**

(54) **PARKING METER**

(71) Applicant: **IPS Group, Inc.**, San Diego, CA (US)

(72) Inventors: **David William King**, Rancho Santa Fe, CA (US); **Alexander Schwarz**, San Diego, CA (US); **Stephen John Hunter**, Randpark Extension (ZA)

(73) Assignee: **IPS GROUP INC.**, San Diego, CA (US)

(**) Term: **14 Years**

(21) Appl. No.: **29/489,838**

(22) Filed: **May 2, 2014**

| | | | |
|---------------|---------|--------------------|------------------------|
| D181,359 S | 11/1957 | Jones | |
| 2,822,682 A * | 2/1958 | Sollenberger | G07F 17/248 220/324 |
| D189,106 S | 10/1960 | Leiderman | |
| D199,270 S | 9/1964 | Michales | |
| D200,216 S | 2/1965 | Broussard | |
| 3,486,324 A | 12/1969 | Anderson | |
| 4,031,991 A | 6/1977 | Malott | |
| D319,077 S | 8/1991 | Arato et al. | |
| 5,155,614 A | 10/1992 | Carmen et al. | |
| 5,563,491 A | 10/1996 | Tseng | |
| 5,617,942 A | 4/1997 | Ward, II et al. | |
| D388,231 S | 12/1997 | Magee et al. | |
| 5,732,812 A | 3/1998 | Grainger et al. | |
| D393,212 S | 4/1998 | Lucas | |
| 5,805,083 A | 9/1998 | Sutton et al. | |
| 5,841,369 A | 11/1998 | Sutton et al. | |
| 5,852,411 A * | 12/1998 | Jacobs | G07F 17/248 194/200 |
| D412,289 S | 7/1999 | Winwood | |
| 5,966,345 A | 10/1999 | Dee et al. | |

Related U.S. Application Data

(63) Continuation-in-part of application No. 29/437,129, filed on Nov. 13, 2012, now Pat. No. Des. 707,141.

(51) **LOC (10) Cl.** **10-03**

(52) **U.S. Cl.**
USPC **D10/42**

(58) **Field of Classification Search**
USPC D10/42, 40, 41; D20/2, 6, 8, 9; D99/28, D99/29, 34, 43
CPC G07F 17/00; G07F 17/24; G07F 27/246; G07F 17/248; G01C 1/30; G07B 15/02; G06Q 20/127

See application file for complete search history.

References Cited

U.S. PATENT DOCUMENTS

| | | |
|-------------|---------|--------------|
| D98,810 S | 3/1936 | Magee |
| D107,577 S | 12/1937 | McGay et al. |
| D116,805 S | 9/1939 | Reznek |
| 2,229,183 A | 1/1941 | Mitchell |
| D162,698 S | 3/1951 | Teague |
| D166,059 S | 2/1952 | Yoss |
| D166,753 S | 5/1952 | Jones |
| 2,596,124 A | 5/1952 | Broussard |

(Continued)

Primary Examiner — Martie K Holtje

(74) *Attorney, Agent, or Firm* — Wilson Sonsini Goodrich & Rosati

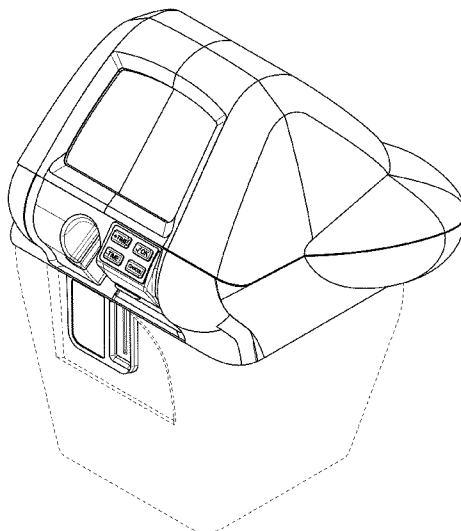
(57) **CLAIM**

The ornamental design for a parking meter, as shown and described.

DESCRIPTION

FIG. 1 is a perspective view of a parking meter, showing our new design;
FIG. 2 is a front elevational view thereof;
FIG. 3 is a rear elevational view thereof;
FIG. 4 is a left side elevational view thereof;
FIG. 5 is a right side elevational view thereof;
FIG. 6 is a top plan view thereof; and,
FIG. 7 is a bottom plan view thereof.
The structural features depicted by broken lines have been shown for the purpose of illustrating portions of the parking meter that form no part of the claimed design.

1 Claim, 6 Drawing Sheets



(56)

References Cited

U.S. PATENT DOCUMENTS

| | | | | | | | | |
|----------------|---------|-----------------|---------------------------------|-------------------|---------|---------------|-------|---------------------------|
| 6,109,418 A | 8/2000 | Yost | | 8,590,687 B2 * | 11/2013 | King | | G06Q 20/127 194/350 |
| 6,116,403 A * | 9/2000 | Kiehl | G07F 17/248 194/217 | 8,595,054 B2 * | 11/2013 | King | | G06Q 20/127 340/870.02 |
| 6,195,015 B1 * | 2/2001 | Jacobs | G07F 17/246 340/693.12 | D707,140 S | 6/2014 | King et al. | | |
| RE37,193 E | 5/2001 | Ward, II et al. | | D707,141 S | 6/2014 | King et al. | | |
| 6,243,028 B1 | 6/2001 | Krygler et al. | | D707,142 S | 6/2014 | King et al. | | |
| 6,312,152 B2 | 11/2001 | Dee et al. | | 8,862,494 B2 * | 10/2014 | King | | G06Q 20/127 705/13 |
| D461,728 S | 8/2002 | Tuxen et al. | | 2001/0012241 A1 * | 8/2001 | Dee | | G07F 17/248 368/90 |
| 6,747,575 B2 | 6/2004 | Chauvin et al. | | 2008/0245638 A1 | 10/2008 | King et al. | | |
| D498,795 S | 11/2004 | Nunn | | 2009/0026842 A1 | 1/2009 | Hunter et al. | | |
| 6,874,340 B1 | 4/2005 | Berman | | 2009/0095593 A1 | 4/2009 | King et al. | | |
| 6,889,899 B2 | 5/2005 | Silberberg | | 2009/0159674 A1 | 6/2009 | King et al. | | |
| D506,509 S | 6/2005 | Nunn | | 2009/0192950 A1 | 7/2009 | King et al. | | |
| D543,588 S | 5/2007 | Herbert et al. | | 2011/0057815 A1 | 3/2011 | King et al. | | |
| D575,168 S | 8/2008 | King et al. | | 2011/0060653 A1 | 3/2011 | King et al. | | |
| D587,141 S | 2/2009 | King et al. | | 2011/0203901 A1 | 8/2011 | King et al. | | |
| 7,854,310 B2 | 12/2010 | King et al. | | 2012/0222935 A1 * | 9/2012 | MacKay | | G07F 17/248 194/210 |
| D661,603 S * | 6/2012 | MacKay | D10/42 | 2013/0238406 A1 * | 9/2013 | King | | G06Q 20/127 705/13 |
| 8,395,532 B2 * | 3/2013 | Chauvin | G06Q 20/32 340/928 | 2014/0174881 A1 * | 6/2014 | King | | G06Q 20/127 194/350 |
| D683,794 S | 6/2013 | Randall | | | | | | |

* cited by examiner

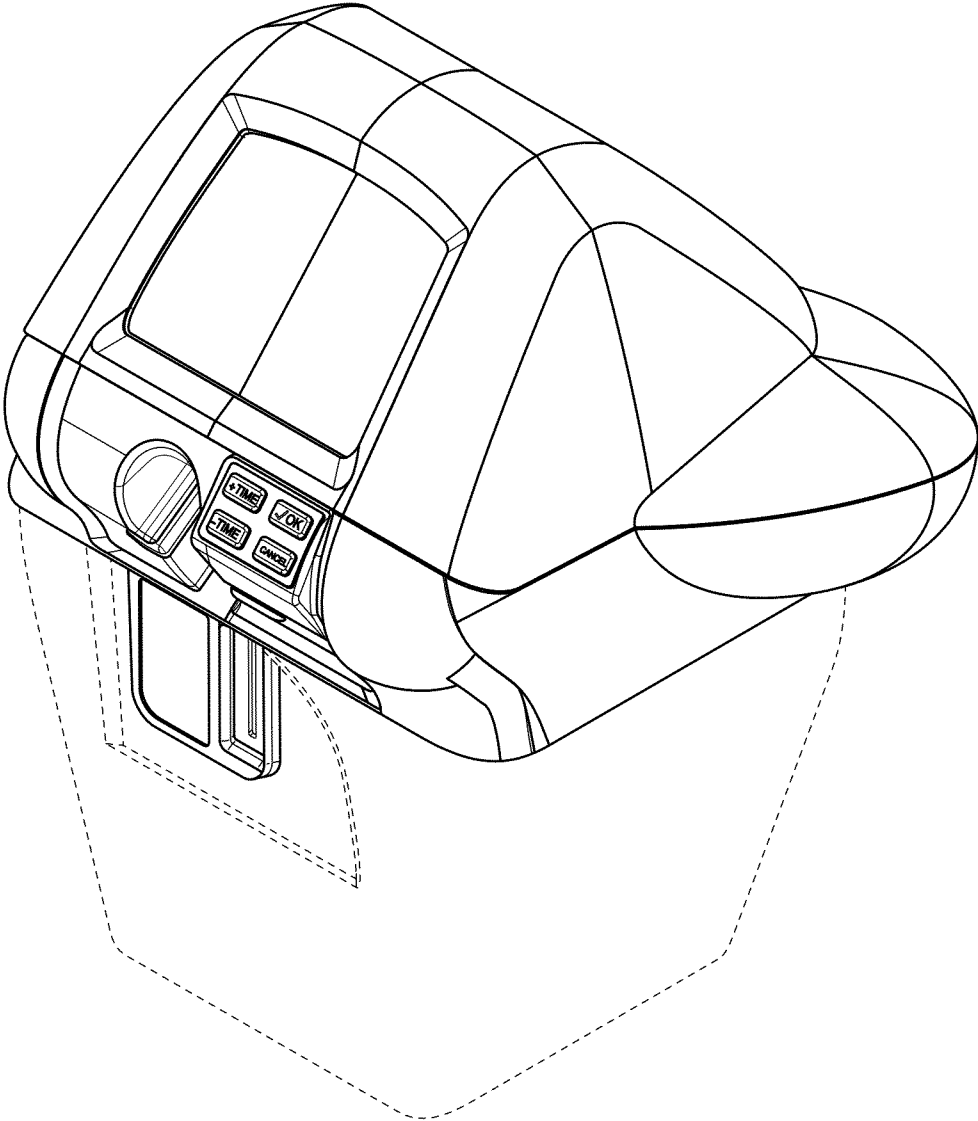


FIG. 1

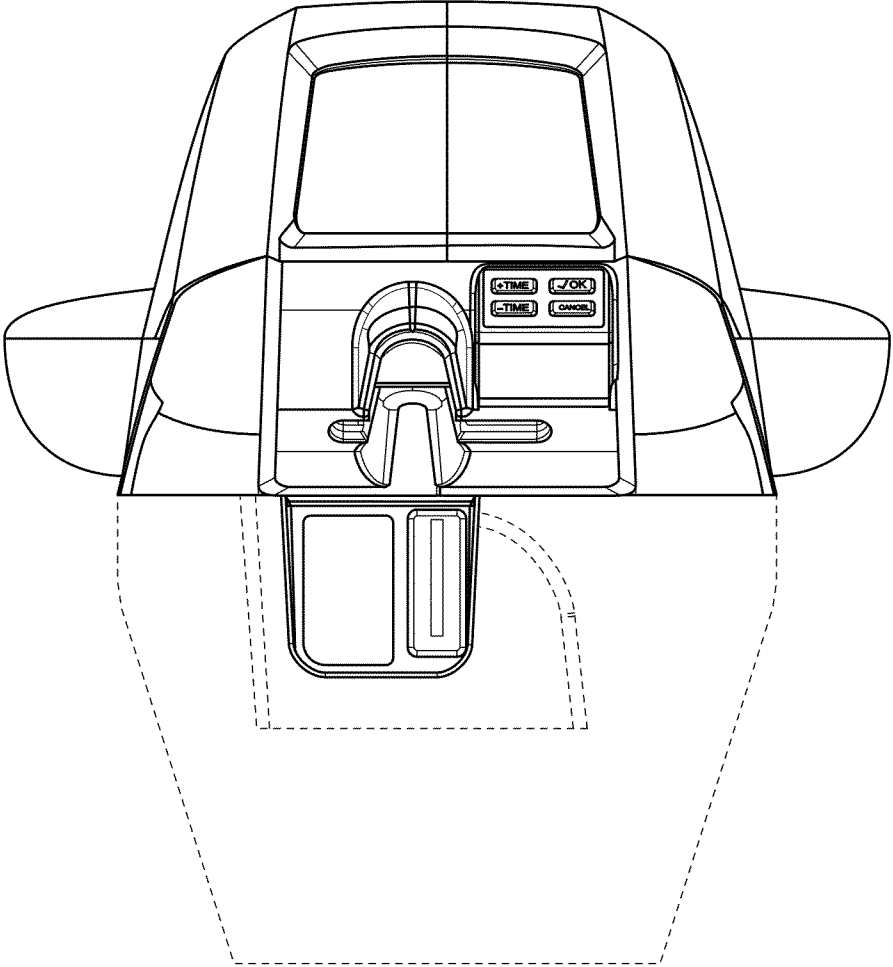


FIG. 2

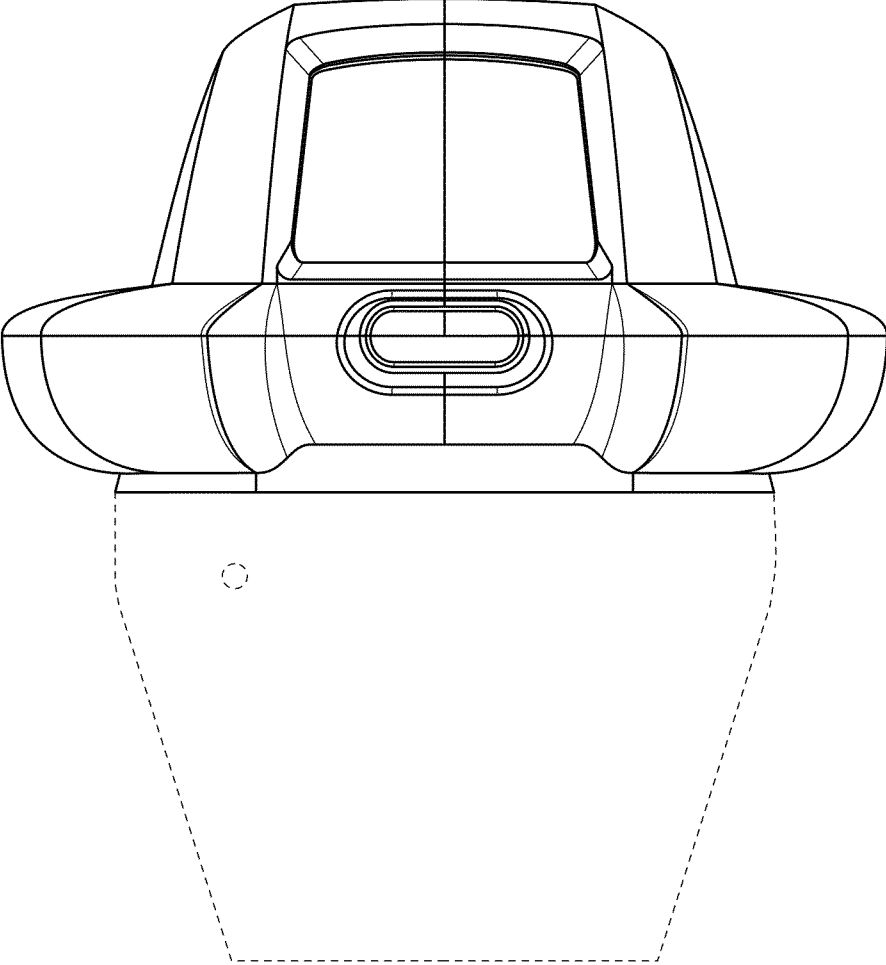


FIG. 3

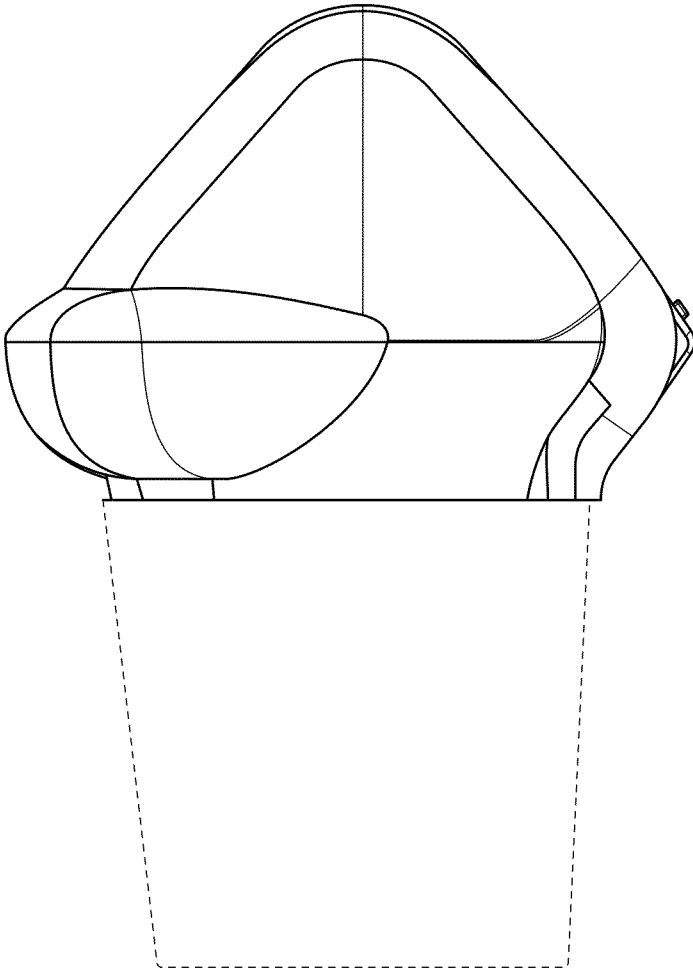


FIG. 4

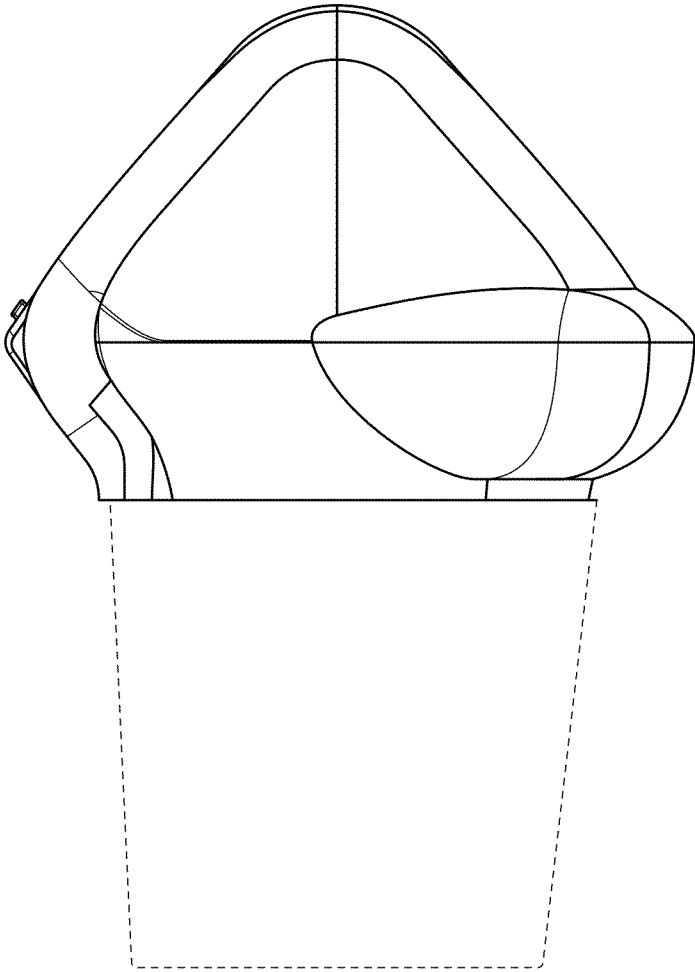


FIG. 5

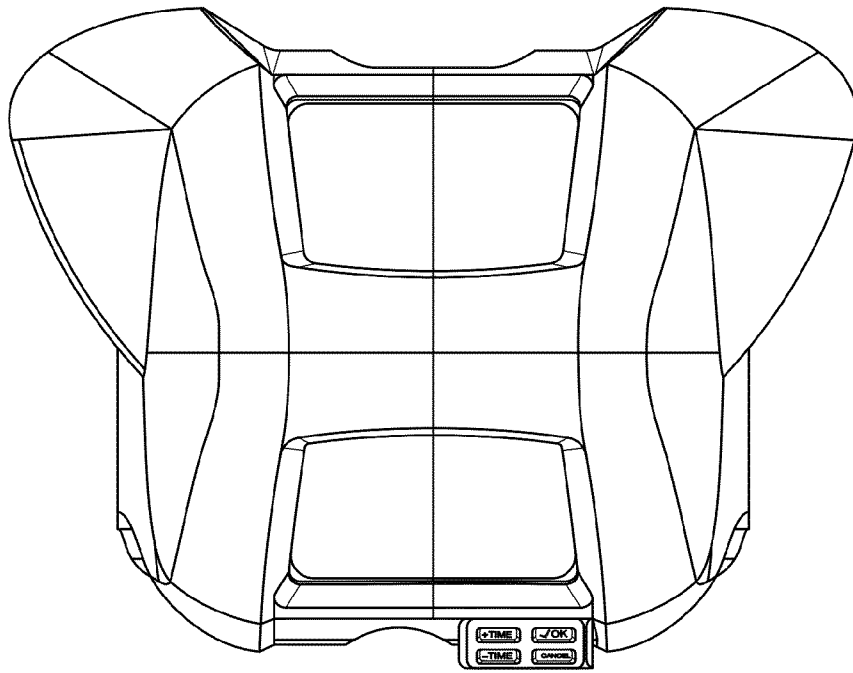


FIG. 6

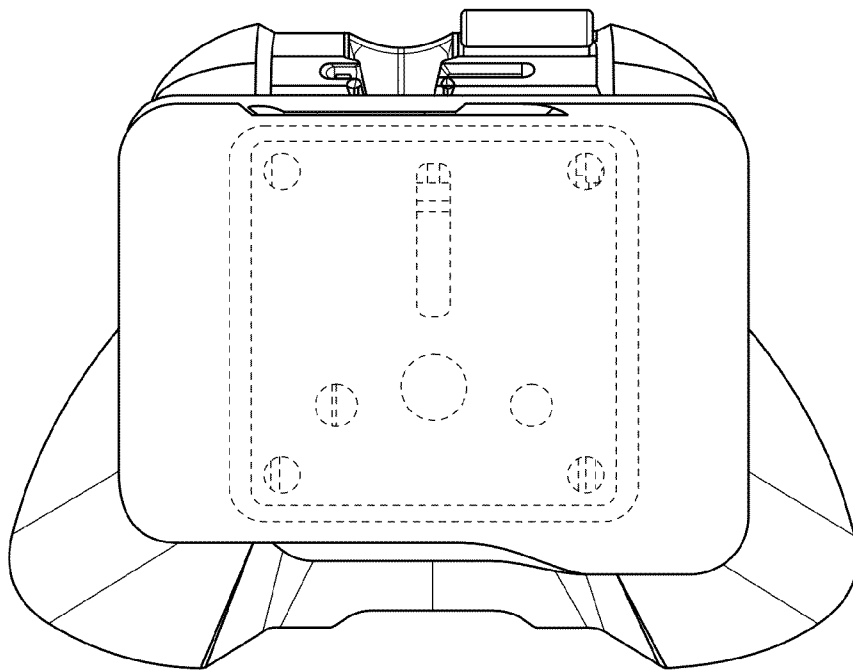


FIG. 7