



US00D735684S

(12) **United States Design Patent**
Zealer

(10) **Patent No.:** **US D735,684 S**

(45) **Date of Patent:** **** Aug. 4, 2015**

(54) **VIDEO DEVICE**

(71) Applicant: **Carl Zealer**, Canal Winchester, OH (US)

(72) Inventor: **Carl Zealer**, Canal Winchester, OH (US)

(**) Term: **14 Years**

(21) Appl. No.: **29/465,609**

(22) Filed: **Aug. 29, 2013**

(51) **LOC (10) Cl.** **14-03**

(52) **U.S. Cl.**
USPC **D14/125**

(58) **Field of Classification Search**
USPC D14/433, 434, 447, 356; D21/324, 328,
D21/333; 273/148 B, 148 R; 463/46, 47;
379/454, 455; 361/679, 686;
345/156-161

CPC H04N 5/50; H04N 5/64; H04N 5/02;
H04N 5/03; G06F 1/16

See application file for complete search history.

(56) **References Cited**

U.S. PATENT DOCUMENTS

D577,008 S * 9/2008 Andre et al. D14/217
7,542,072 B2 * 6/2009 DeMenthon 348/207.99

D614,610 S * 4/2010 Sala et al. D14/230
D656,555 S * 3/2012 Zenri et al. D21/333
D714,268 S * 9/2014 Zealer D14/239

* cited by examiner

Primary Examiner — Randall Gholson

(74) *Attorney, Agent, or Firm* — Kegler Brown Hill & Ritter;
James J. Pingor

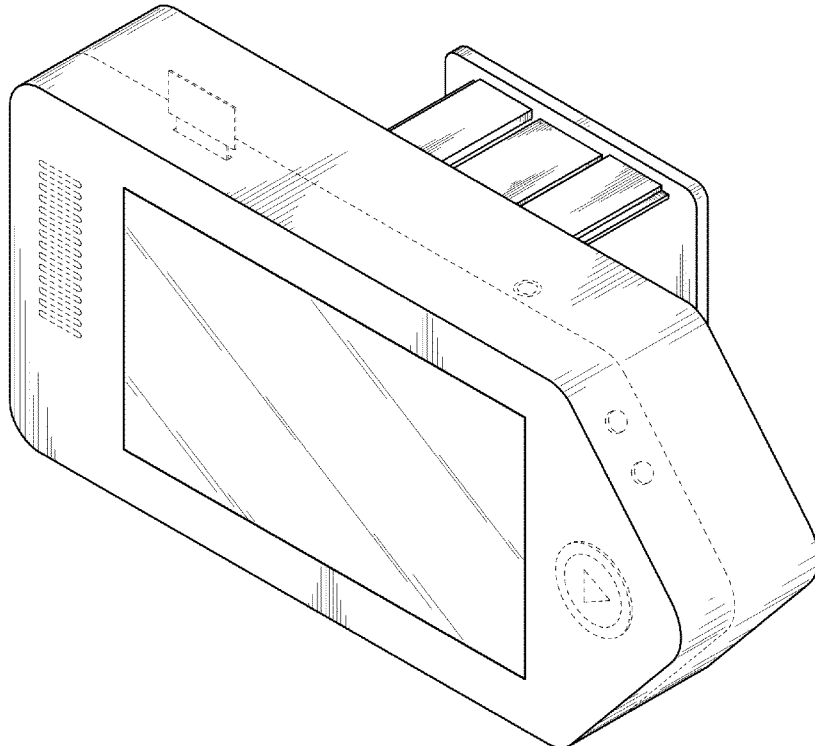
(57) **CLAIM**

The ornamental design for a video device, as shown and described.

DESCRIPTION

FIG. 1 is a right front perspective view of a video device;
FIG. 2 is a front view thereof;
FIG. 3 is a rear view thereof;
FIG. 4 is a top view thereof;
FIG. 5 is a bottom side view thereof;
FIG. 6 is a left side view thereof; and,
FIG. 7 is a right view thereof.

1 Claim, 4 Drawing Sheets



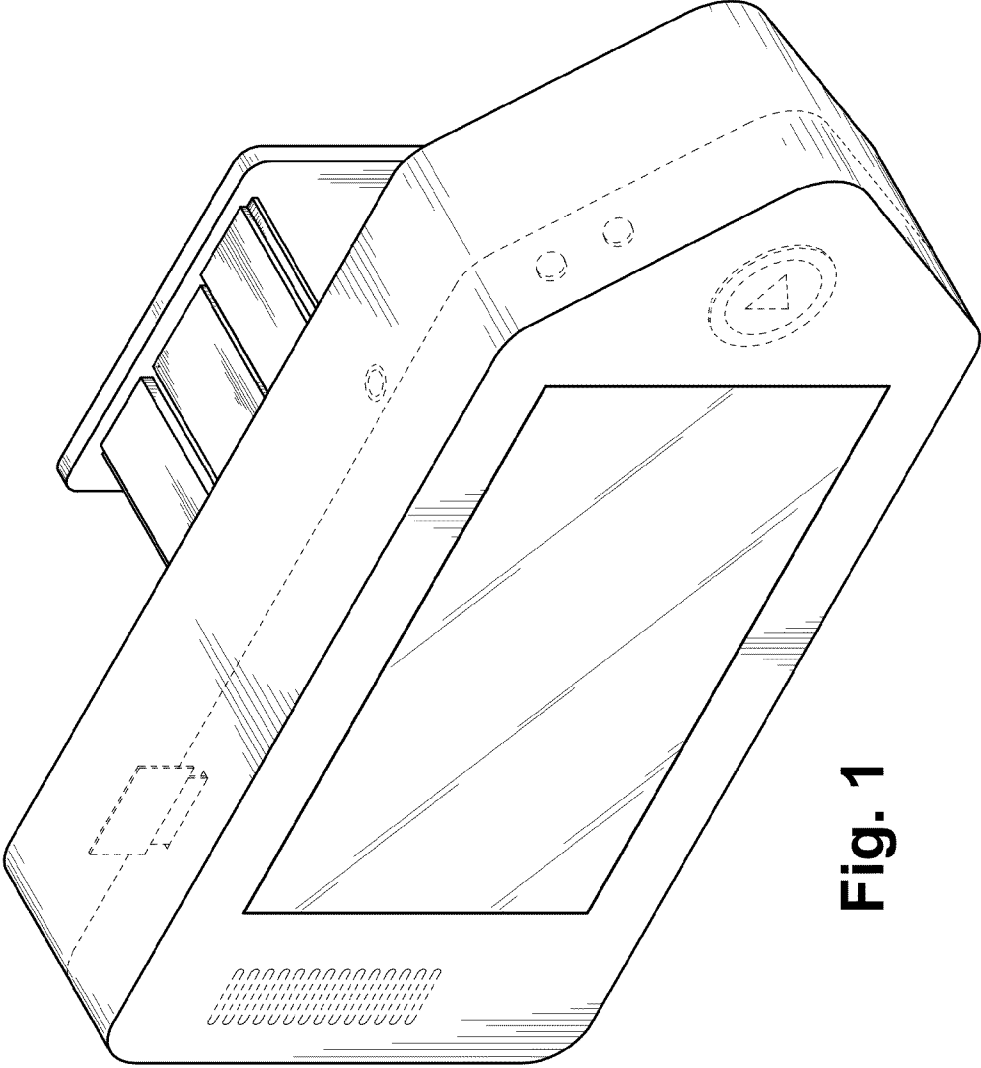


Fig. 1

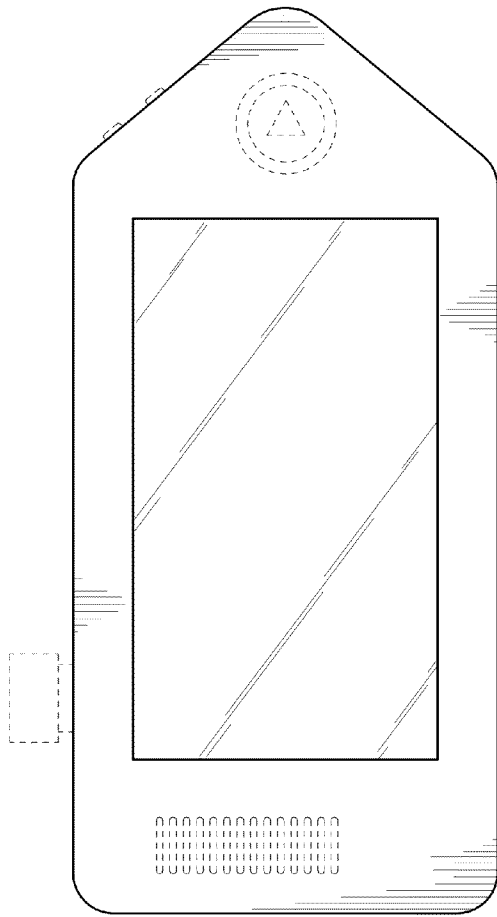


Fig. 2

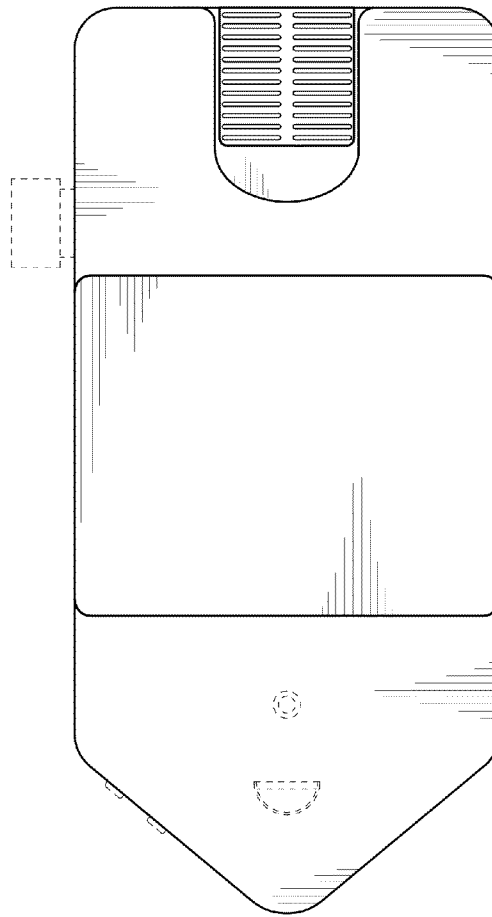


Fig. 3

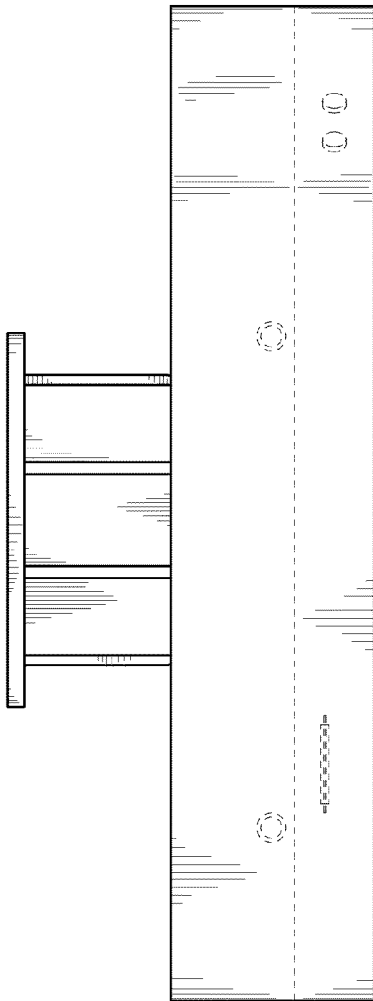


Fig. 4

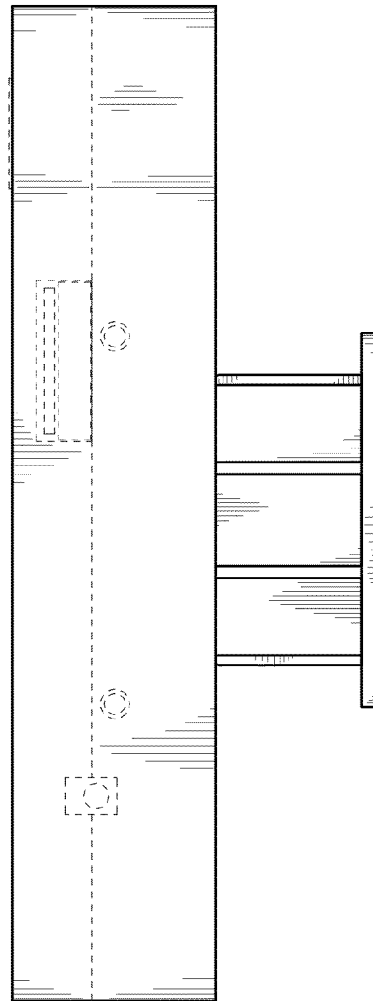


Fig. 5

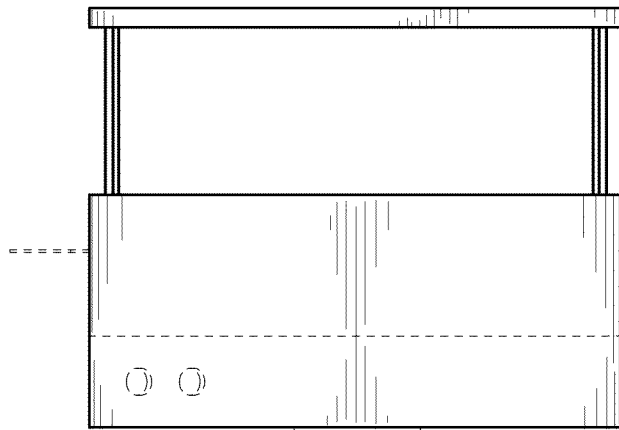


Fig. 7

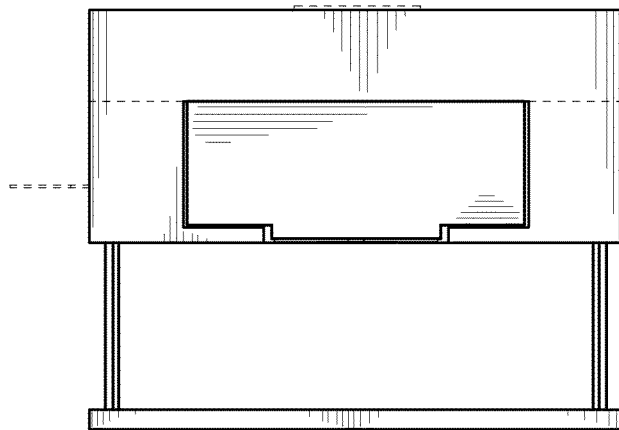


Fig. 6