



US00D884929S

(12) **United States Design Patent**  
**Prado**

(10) **Patent No.:** **US D884,929 S**

(45) **Date of Patent:** **\*\* May 19, 2020**

- (54) **WALL SYSTEM CONNECTOR**
- (71) Applicant: **Cesar Prado**, Miramar, FL (US)
- (72) Inventor: **Cesar Prado**, Miramar, FL (US)

(\*\*) Term: **15 Years**

(21) Appl. No.: **29/655,117**

(22) Filed: **Jun. 29, 2018**

(51) **LOC (12) Cl.** ..... **25-02**

(52) **U.S. Cl.**  
USPC ..... **D25/199**; D8/384

(58) **Field of Classification Search**  
USPC ..... D8/349, 354, 382, 384, 394, 395;  
D25/199  
CPC .. H01R 13/426; H01R 13/74; H01R 2101/00;  
E04B 2/721; E04B 2002/0243; E04B  
2002/7461; E04B 1/40; E04B 2001/405;  
E04F 13/25

See application file for complete search history.

(56) **References Cited**

**U.S. PATENT DOCUMENTS**

D270,572 S *	9/1983	Black	.....	D25/68
D286,743 S *	11/1986	Cohen	.....	D8/394
D406,230 S *	3/1999	Brorsson	.....	D13/154
D406,231 S *	3/1999	Brorsson	.....	D13/154
D416,194 S *	11/1999	Brorsson	.....	D13/154
D444,699 S *	7/2001	Bentrim	.....	D8/382
D452,135 S *	12/2001	Wyatt	.....	D8/354
D643,708 S *	8/2011	Hecht	.....	D8/394
9,169,653 B2 *	10/2015	Porter	.....	E04F 13/08
D758,835 S *	6/2016	Glancy	.....	D8/382
D795,049 S *	8/2017	Brigham	.....	D8/382
D808,784 S *	1/2018	Suzuki	.....	D8/384
D826,704 S *	8/2018	Wilson	.....	D8/382
D848,249 S *	5/2019	Suzuki	.....	D8/384

D867,118 S *	11/2019	Gooden	.....	D8/394
10,494,820 B1 *	12/2019	Chen	.....	E04F 13/0826
2016/0233604 A1 *	8/2016	Borkar	.....	H01R 13/426
2017/0314261 A1 *	11/2017	Kopish	.....	E04B 2/7427
2019/0352901 A1 *	11/2019	Yin	.....	E04B 1/483

**FOREIGN PATENT DOCUMENTS**

CN	305129583	*	4/2019
JP	D1639022	*	8/2019

\* cited by examiner

*Primary Examiner* — Leanne Was-Englehart  
(74) *Attorney, Agent, or Firm* — Dunlap Bennett & Ludwig PLLC

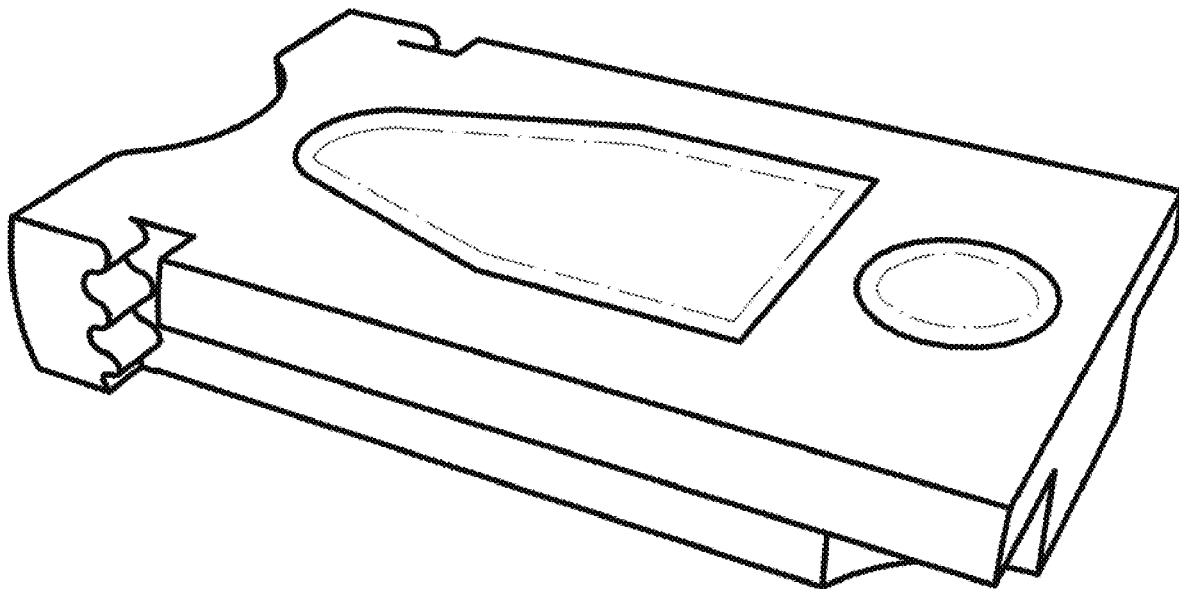
(57) **CLAIM**

The ornamental design for a wall system connector, as shown and described.

**DESCRIPTION**

FIG. 1 is a bottom plan view of a wall system connector, showing my new design;  
FIG. 2 is a rear elevation view thereof;  
FIG. 3 is a front elevation view thereof;  
FIG. 4 is a left side elevation view thereof, the right side elevation being a mirror image thereof;  
FIG. 5 is a top plan view thereof;  
FIG. 6 is a top left perspective view thereof; and,  
FIG. 7 is a top right perspective view thereof, shown in use. The equally-sized broken lines showing a wall system element in FIG. 7 depicts environmental subject matter that forms no part of the claimed design. The broken lines consisting of unequally-sized dash-dot-dash lines in the drawings depict the boundary of the claimed invention and it is understood that the claim extends to the boundary that forms no part of the claimed design.

**1 Claim, 4 Drawing Sheets**



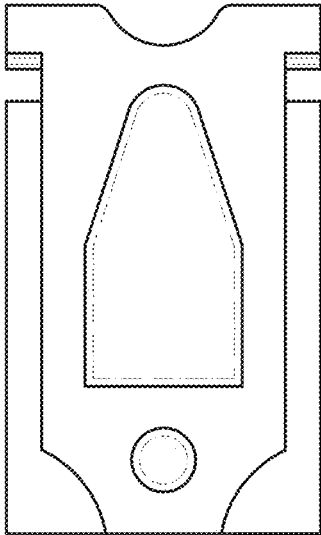


FIG.1



FIG.2



FIG.3



FIG.4

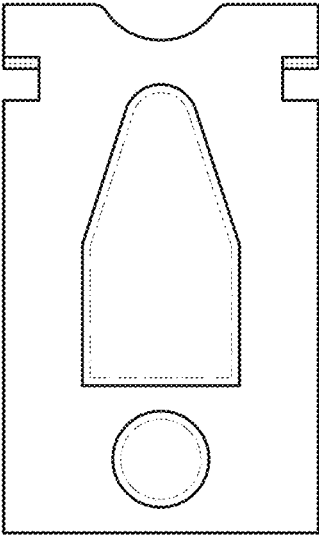


FIG.5

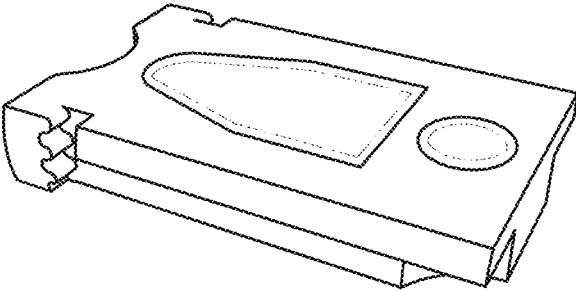


FIG.6

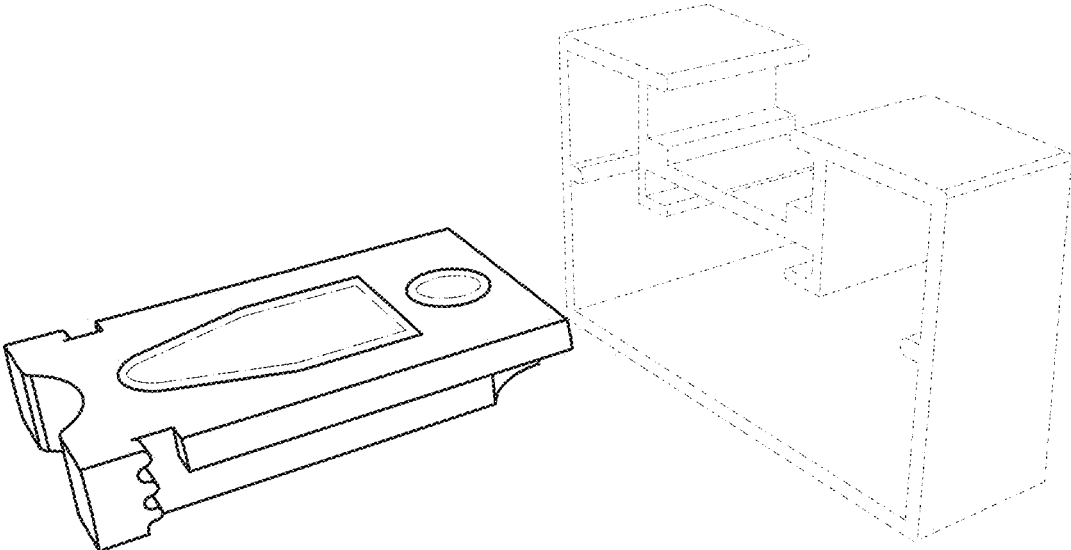


FIG.7