



US00D722967S

(12) **United States Design Patent**
Yeh

(10) **Patent No.:** **US D722,967 S**

(45) **Date of Patent:** **** Feb. 24, 2015**

(54) **TONGUE OF RECEPTACLE CONNECTOR**

(71) Applicant: **HTC Corporation**, Taoyuan County (TW)

(72) Inventor: **Chia-Jung Yeh**, Taoyuan County (TW)

(73) Assignee: **HTC Corporation**, Taoyuan County (TW)

(**) Term: **14 Years**

(21) Appl. No.: **29/434,349**

(22) Filed: **Oct. 12, 2012**

(51) **LOC (10) Cl.** **13-03**

(52) **U.S. Cl.**

USPC **D13/147**

(58) **Field of Classification Search**

USPC D13/147, 154, 184, 199; 439/79, 108, 439/135, 180, 246, 278, 374, 378, 379, 381, 439/527, 529, 530, 533, 607.01, 607.04, 439/607.05, 607.17, 607.25, 607.34, 439/607.41, 607.53, 626, 629, 637, 656, 439/660, 668, 676, 680, 892, 894

See application file for complete search history.

(56) **References Cited**

U.S. PATENT DOCUMENTS

D593,495	S	*	6/2009	Zhu et al.	D13/147
D614,578	S	*	4/2010	Wang et al.	D13/147
D624,022	S	*	9/2010	Liu et al.	D13/147
D626,077	S	*	10/2010	Huang	D13/147
D640,985	S	*	7/2011	Wang et al.	D13/154
D642,130	S	*	7/2011	Wang et al.	D13/147
D681,556	S	*	5/2013	Tu et al.	D13/147
8,747,165	B2	*	6/2014	Kim	439/660

FOREIGN PATENT DOCUMENTS

TW D147533 6/2012

OTHER PUBLICATIONS

“Notice of Allowance of Taiwan counterpart application” issued on May 29, 2013, p1-p5, in which the listed reference was cited.

* cited by examiner

Primary Examiner — Daniel Bui

(74) *Attorney, Agent, or Firm* — Jianq Chyun IP Office

(57) **CLAIM**

The ornamental design for a tongue of receptacle connector, as shown and described.

DESCRIPTION

FIG. 1 is a perspective view of a tongue of receptacle connector showing my new design.

FIG. 2 is a front view thereof.

FIG. 3 is a rear view thereof.

FIG. 4 is a left side view thereof.

FIG. 5 is a right side view thereof.

FIG. 6 is a top view thereof.

FIG. 7 is a bottom view thereof.

FIG. 8 is a perspective view of a tongue of receptacle connector thereof, shown with unclaimed environment, and in an exploded condition.

FIG. 9 is another perspective view thereof, shown with unclaimed environment, and in an exploded condition.

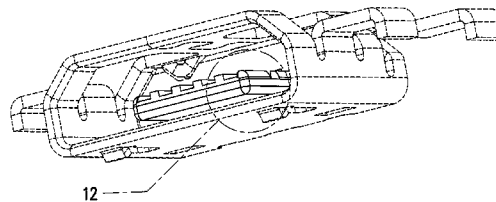
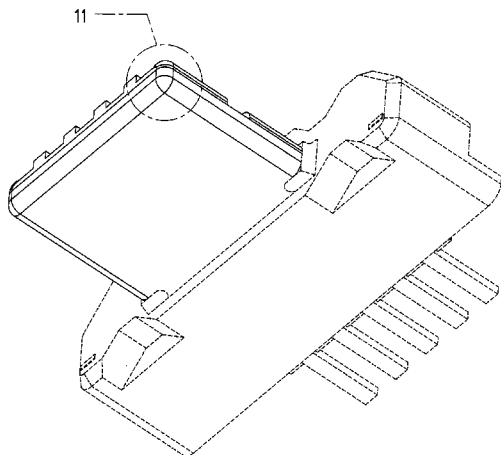
FIG. 10 is another perspective view thereof, shown with unclaimed environment, and in an assembled condition.

FIG. 11 is an enlarged view of portion 11 of FIG. 1; and,

FIG. 12 is an enlarged view of portion 12 of FIG. 10.

The broken line shown in the drawing represents unclaimed environment and forms no parts of the claimed design. The dash-dot line represents the boundaries of the claimed design. The hatched portions of the tongue of receptacle connector in FIGS. 11 and 12 represent metal.

1 Claim, 10 Drawing Sheets



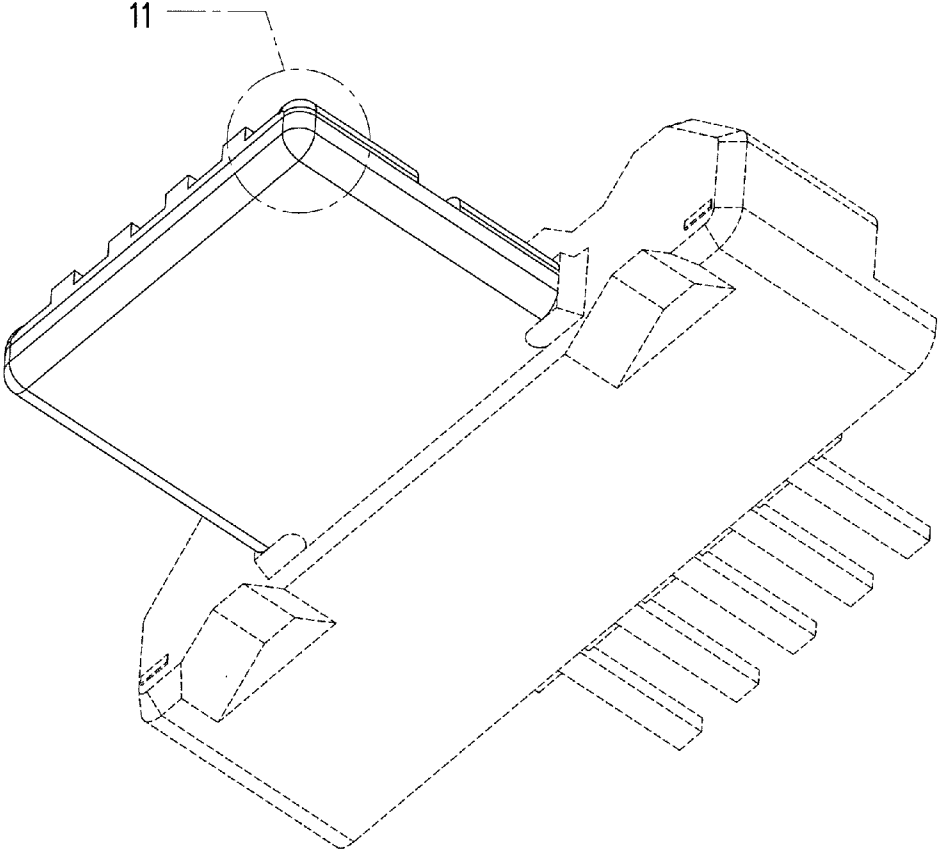


FIG. 1

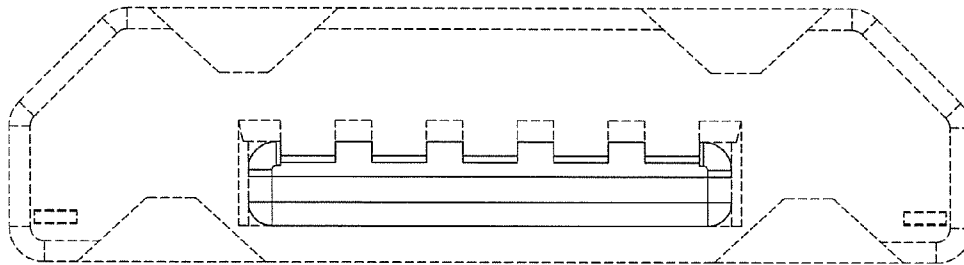


FIG. 2

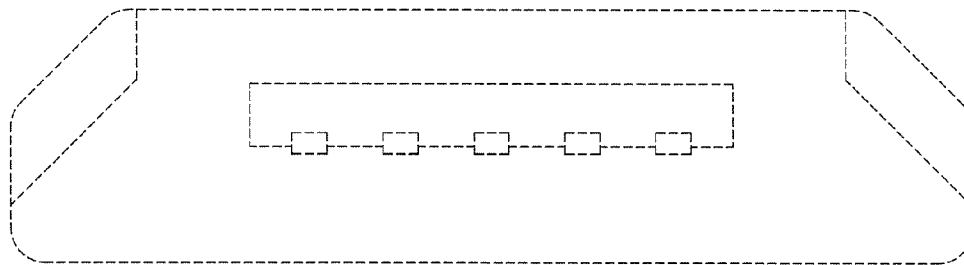


FIG. 3

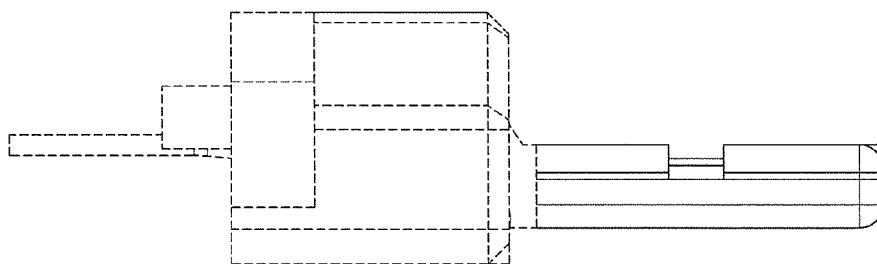


FIG. 4

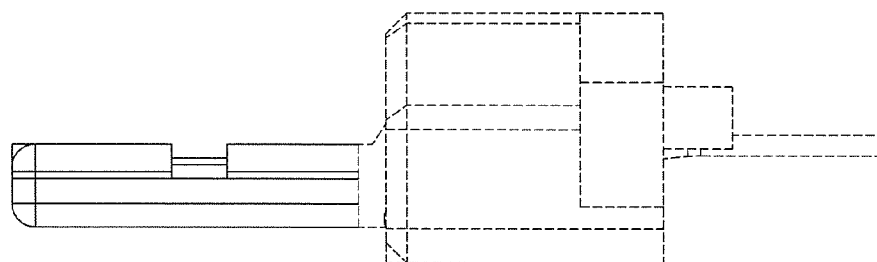


FIG. 5

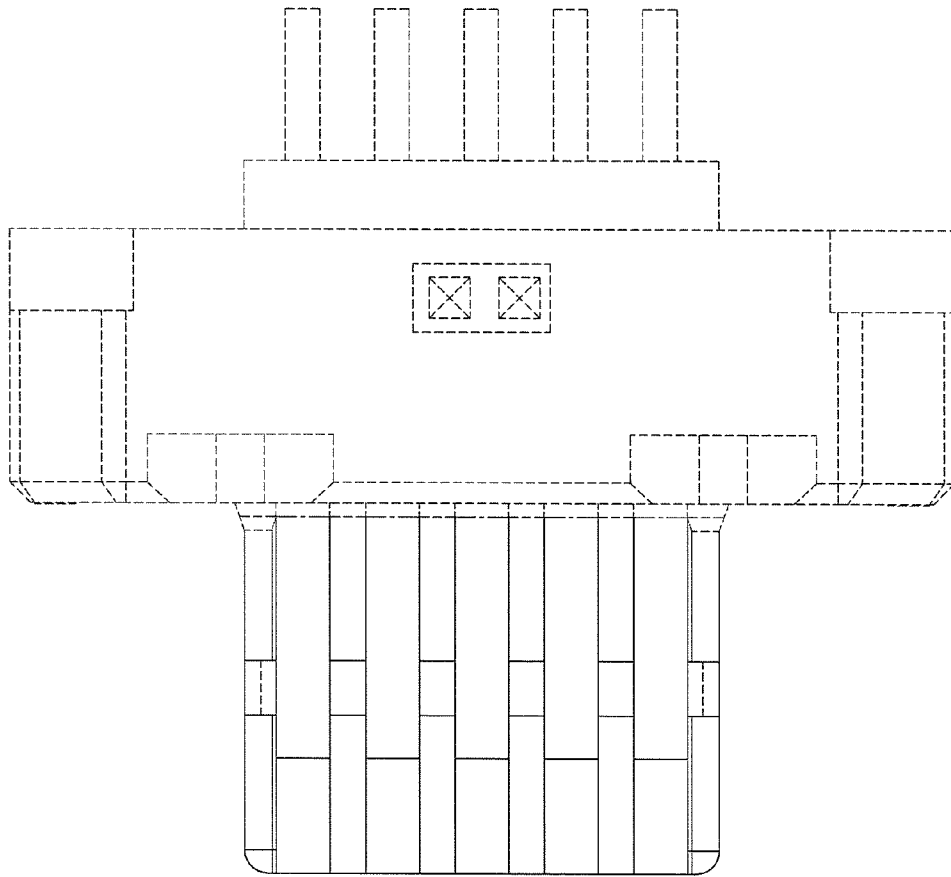


FIG. 6

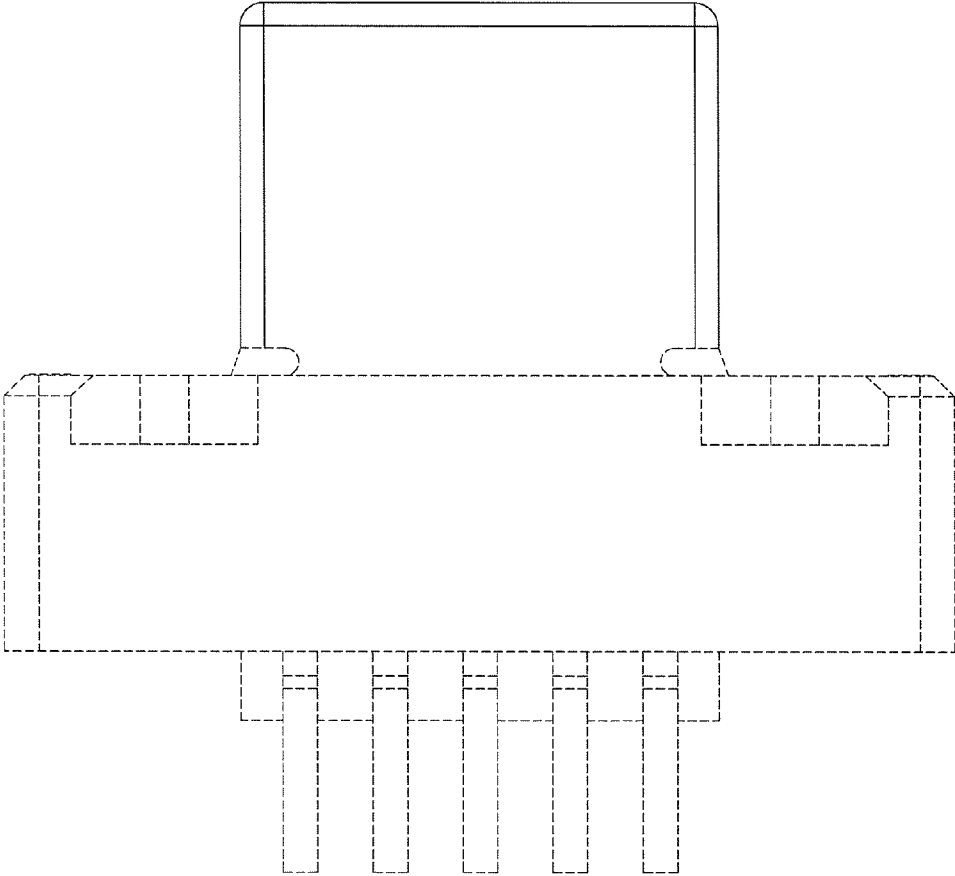


FIG. 7

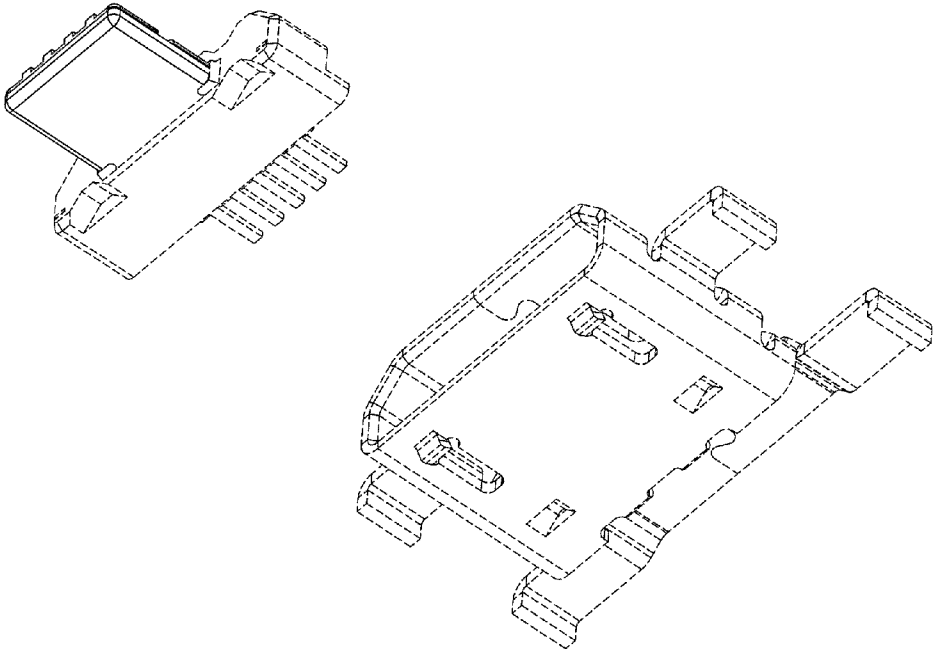


FIG. 8

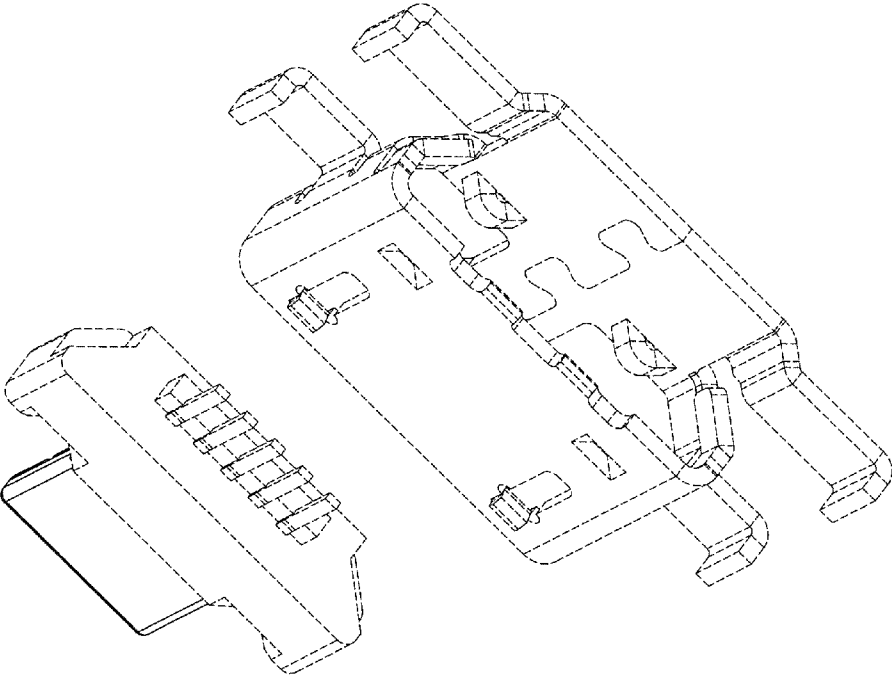


FIG. 9

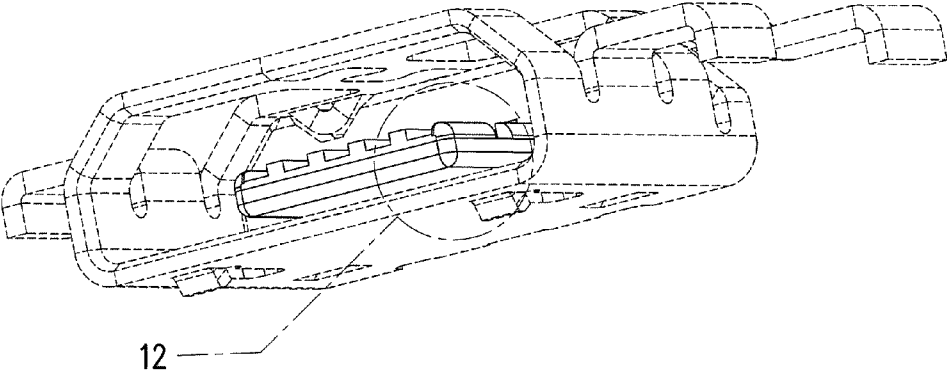


FIG. 10

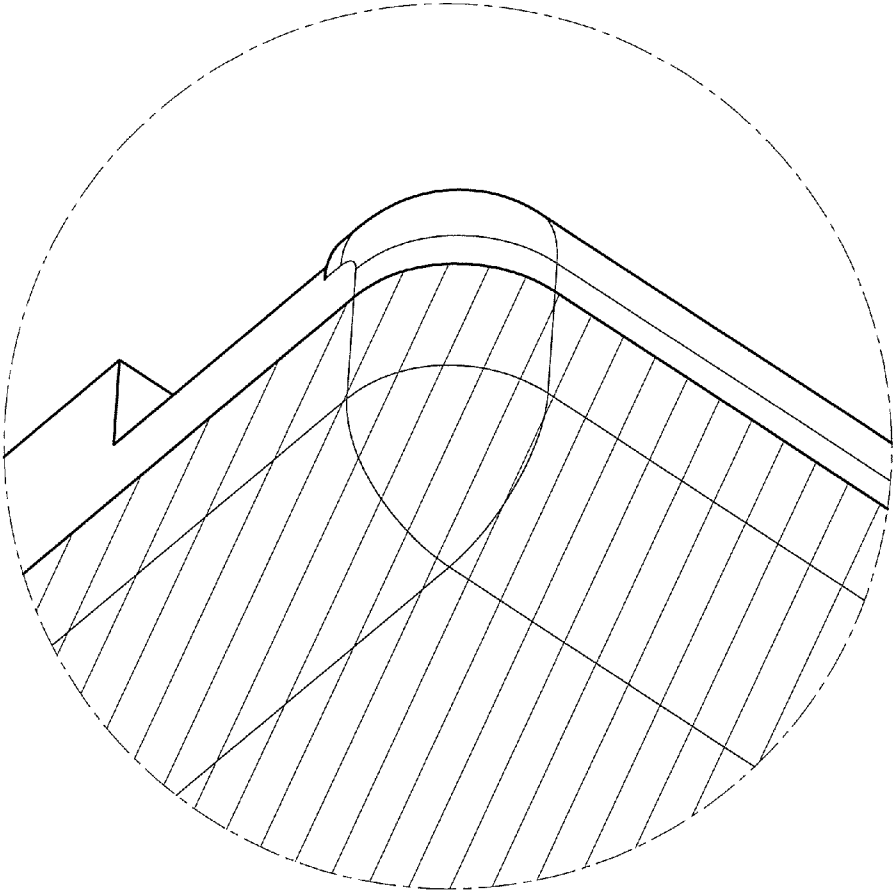


FIG. 11

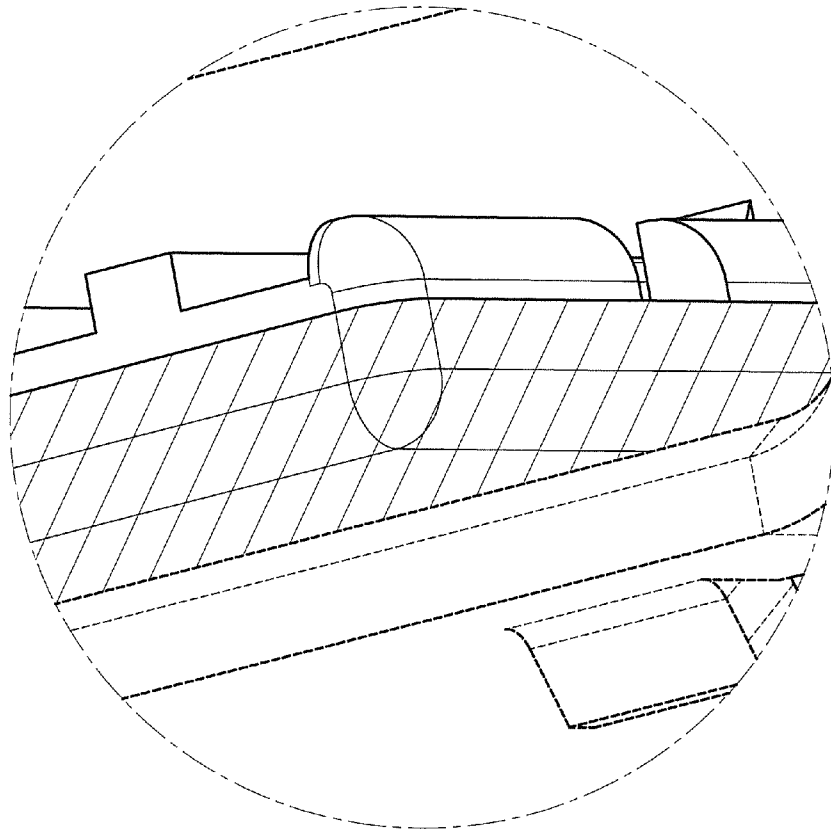


FIG. 12