

(19) World Intellectual Property Organization
International Bureau



(43) International Publication Date
29 January 2009 (29.01.2009)

PCT

(10) International Publication Number
WO 2009/012780 A3

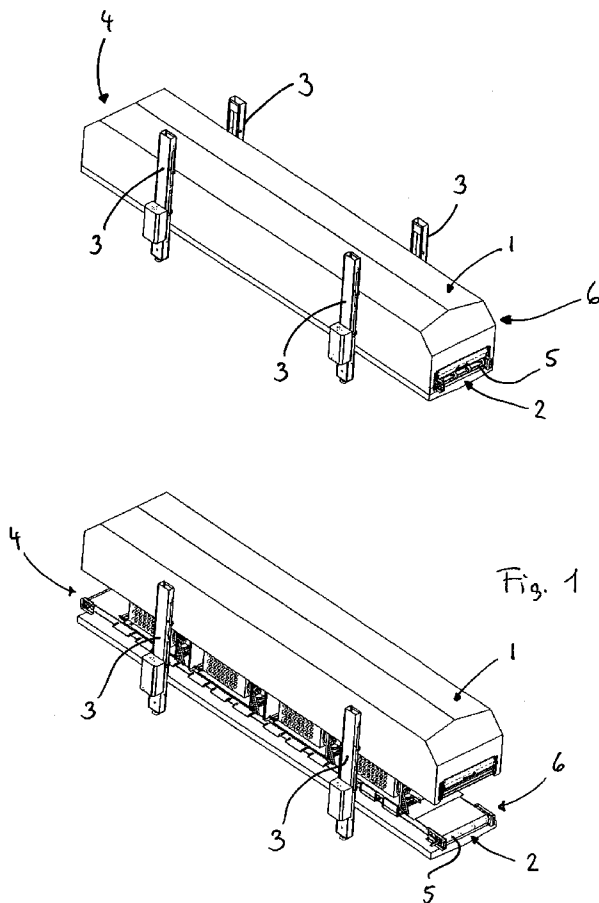
- (51) International Patent Classification:
F25D 13/06 (2006.01) F25D 23/02 (2006.01)
- (21) International Application Number:
PCT/DK2008/000277
- (22) International Filing Date: 24 July 2008 (24.07.2008)
- (25) Filing Language: English
- (26) Publication Language: English
- (30) Priority Data:
PA 2007 01084 25 July 2007 (25.07.2007) DK
PA 2007 01394 27 September 2007 (27.09.2007) DK
- (71) Applicant (for all designated States except US): DAN-TECH FOOD SYSTEMS PTE LTD. [SG/SG]; 31 Loyang Crescent, 509013 Singapore (SG).
- (72) Inventor; and
- (75) Inventor/Applicant (for US only): ZIEGLER, Henrik [DK/SG]; 8 Wilby Road, 276297 Singapore (SG).
- (74) Agent: PATRADE A/S; Fredens Torv 3A, DK-8000 Aarhus C (DK).

- (81) Designated States (unless otherwise indicated, for every kind of national protection available): AE, AG, AL, AM, AO, AT, AU, AZ, BA, BB, BG, BH, BR, BW, BY, BZ, CA, CH, CN, CO, CR, CU, CZ, DE, DK, DM, DO, DZ, EC, EE, EG, ES, FI, GB, GD, GE, GH, GM, GT, HN, HR, HU, ID, IL, IN, IS, JP, KE, KG, KM, KN, KP, KR, KZ, LA, LC, LK, LR, LS, LT, LU, LY, MA, MD, ME, MG, MK, MN, MW, MX, MY, MZ, NA, NG, NI, NO, NZ, OM, PG, PH, PL, PT, RO, RS, RU, SC, SD, SE, SG, SK, SL, SM, ST, SV, SY, TJ, TM, TN, TR, TT, TZ, UA, UG, US, UZ, VC, VN, ZA, ZM, ZW.
- (84) Designated States (unless otherwise indicated, for every kind of regional protection available): ARIPO (BW, GH, GM, KE, LS, MW, MZ, NA, SD, SL, SZ, TZ, UG, ZM, ZW), Eurasian (AM, AZ, BY, KG, KZ, MD, RU, TJ, TM), European (AT, BE, BG, CH, CY, CZ, DE, DK, EE, ES, FI, FR, GB, GR, HR, HU, IE, IS, IT, LT, LU, LV, MC, MT, NL, NO, PL, PT, RO, SE, SI, SK, TR), OAPI (BF, BJ, CF, CG, CI, CM, GA, GN, GQ, GW, ML, MR, NE, SN, TD, TG).

Published:
— with international search report

[Continued on next page]

(54) Title: APPARATUS FOR THERMAL GAS TREATMENT



(57) Abstract: Apparatus for thermal gas treatment of objects carried on an endless conveyor, in particular food items, where said apparatus comprises: - a housing separated in two or more sections (1,2), where a first section comprises means (3) for moving said first section in relation to a second section; an endless conveyor (5) belt arranged inside said housing and projecting outside said housing in a first and second end, where said endless conveyor has an upper run suitable to carry the objects and a lower return run; - two or more gas conditioning units (7, 12, 13) arranged inside said housing, where the units are arranged one downstream of another along the conveyor, for directing a treated gas towards the endless conveyor; substantially gas tight partitions (8) separating the gas conditioning units from each other, creating separate treatment zones, where said treatment zones are only connected adjacent the endless conveyor; where said housing substantially completely encloses said gas conditioning units, partitions treatment zones and the endless conveyor except for the first and second end sections.



WO 2009/012780 A3



— *before the expiration of the time limit for amending the claims and to be republished in the event of receipt of amendments*

(88) Date of publication of the international search report:
9 April 2009

INTERNATIONAL SEARCH REPORT

International application No

PCT/DK2008/000277

A. CLASSIFICATION OF SUBJECT MATTER
 INV. F25D13/06 F25D23/02

According to International Patent Classification (IPC) or to both national classification and IPC

B. FIELDS SEARCHED

Minimum documentation searched (classification system followed by classification symbols)
 F25D

Documentation searched other than minimum documentation to the extent that such documents are included in the fields searched

Electronic data base consulted during the international search (name of data base and, where practical, search terms used)

EPO-Internal, WPI Data

C. DOCUMENTS CONSIDERED TO BE RELEVANT

Category*	Citation of document, with indication, where appropriate, of the relevant passages	Relevant to claim No.
X	JP 11 037625 A (OORAND KK) 12 February 1999 (1999-02-12)	1, 4, 8, 9
Y	abstract; figures 1-3,5	2, 3, 5-7, 10, 11
Y	----- US 4 479 776 A (SMITH DONALD P [US]) 30 October 1984 (1984-10-30)	2, 3
	abstract; figures 4,5a	
X	----- US 3 393 532 A (KHOYLIAN ROUZAS R) 23 July 1968 (1968-07-23)	1, 4
Y	figures 1-3,6	5, 6
Y	----- US 4 523 391 A (SMITH DONALD P [US] ET AL) 18 June 1985 (1985-06-18)	7
	abstract; figures 1,4	
	----- -/--	

Further documents are listed in the continuation of Box C.

See patent family annex.

* Special categories of cited documents :

- *A* document defining the general state of the art which is not considered to be of particular relevance
- *E* earlier document but published on or after the international filing date
- *L* document which may throw doubts on priority claim(s) or which is cited to establish the publication date of another citation or other special reason (as specified)
- *O* document referring to an oral disclosure, use, exhibition or other means
- *P* document published prior to the international filing date but later than the priority date claimed

- *T* later document published after the international filing date or priority date and not in conflict with the application but cited to understand the principle or theory underlying the invention
- *X* document of particular relevance; the claimed invention cannot be considered novel or cannot be considered to involve an inventive step when the document is taken alone
- *Y* document of particular relevance; the claimed invention cannot be considered to involve an inventive step when the document is combined with one or more other such documents, such combination being obvious to a person skilled in the art.
- * & * document member of the same patent family

Date of the actual completion of the international search

18 February 2009

Date of mailing of the international search report

24/02/2009

Name and mailing address of the ISA/

European Patent Office, P.B. 5818 Patentlaan 2
 NL - 2280 HV Rijswijk
 Tel. (+31-70) 340-2040,
 Fax: (+31-70) 340-3016

Authorized officer

Yousufi, Stefanie

INTERNATIONAL SEARCH REPORT

International application No

PCT/DK2008/000277

C(Continuation). DOCUMENTS CONSIDERED TO BE RELEVANT		
Category*	Citation of document, with indication, where appropriate, of the relevant passages	Relevant to claim No.
Y	US 5 551 251 A (OCHS GREGORY L [US] ET AL) 3 September 1996 (1996-09-03) abstract; figures 1-3 -----	10
Y	EP 1 806 551 A (MAEKAWA SEISAKUSHO KK [JP]) 11 July 2007 (2007-07-11) abstract; figures 1-6 -----	11
X	US 5 478 584 A (DONOHUE STEPHEN F [US] ET AL) 26 December 1995 (1995-12-26) abstract; figures 1-6 -----	1,8,9
A	DE 199 20 069 A1 (SOLLICH KG [DE]) 16 November 2000 (2000-11-16) abstract; figures 1,2 -----	1,4,8,9
A	DE 41 36 570 A1 (GELAVI SA [FR]) 14 May 1992 (1992-05-14) abstract; figures 1,2 -----	1,2,5

INTERNATIONAL SEARCH REPORT

Information on patent family members

International application No

PCT/DK2008/000277

Patent document cited in search report	Publication date	Patent family member(s)	Publication date
JP 11037625	A	12-02-1999	NONE
US 4479776	A	30-10-1984	NONE
US 3393532	A	23-07-1968	NONE
US 4523391	A	18-06-1985	AU 576992 B2 08-09-1988 AU 2120783 A 24-04-1984 CA 1199543 A1 21-01-1986 DE 3380312 D1 07-09-1989 EP 0120075 A1 03-10-1984 JP 5024769 B 08-04-1993 JP 59501735 T 18-10-1984 WO 8401424 A1 12-04-1984
US 5551251	A	03-09-1996	WO 9743588 A1 20-11-1997
EP 1806551	A	11-07-2007	BR PI0413047 A 17-10-2006 CA 2540443 A1 29-04-2006 WO 2006046317 A1 04-05-2006 US 2006090497 A1 04-05-2006
US 5478584	A	26-12-1995	NONE
DE 19920069	A1	16-11-2000	NONE
DE 4136570	A1	14-05-1992	FR 2669103 A1 15-05-1992