



US00D768438S

(12) **United States Design Patent**
Szymanski

(10) **Patent No.:** **US D768,438 S**

(45) **Date of Patent:** **** Oct. 11, 2016**

(54) **CONTAINER**

(71) Applicant: **Aaron Szymanski**, Thomaston, CT (US)

(72) Inventor: **Aaron Szymanski**, Thomaston, CT (US)

(73) Assignee: **IdeaVillage Products Corp.**, Wayne, NJ (US)

(**) Term: **15 Years**

(21) Appl. No.: **29/505,073**

(22) Filed: **May 18, 2015**

(51) **LOC (10) Cl.** **07-01**

(52) **U.S. Cl.**
USPC **D7/510**; D7/511; D7/396.2; D7/392.1; D9/447

(58) **Field of Classification Search**
USPC D7/507-512, 523, 528-532, 543, 312, D7/316, 317, 589, 607, 608, 387, 392.1, D7/396.2, 400; D9/555, 556, 569, 453, D9/499, 447, 449, 428, 425, 417; D8/499, D8/391, 393, 373; 220/669, 737, 675, 220/592.17; 206/520
CPC A47G 19/2272; A47G 19/2216; A47G 19/22; B65D 1/265; B65D 3/06; B65D 41/62; B65D 2543/00351; B65D 2543/00046

See application file for complete search history.

(56) **References Cited**

U.S. PATENT DOCUMENTS

D402,556 S * 12/1998 Frye D9/447
D480,968 S * 10/2003 Atkins D9/435

D551,503 S * 9/2007 Bouie D7/509
D572,531 S * 7/2008 Romandy D7/510
D577,959 S * 10/2008 Sandberg D7/509
D614,954 S * 5/2010 Crowell D9/447
D622,105 S * 8/2010 Koennecke D7/509
D692,756 S * 11/2013 McClellan D9/447
D700,512 S * 3/2014 Daniel D9/447
2009/0283535 A1 * 11/2009 Mesalic B65D 43/0212
220/709
2013/0037558 A1 * 2/2013 Selina B65D 21/0219
220/715
2013/0056463 A1 * 3/2013 Buck A47G 19/065
220/23.83

* cited by examiner

Primary Examiner — Marianne Pandozzi

Assistant Examiner — Jae Liang

(74) *Attorney, Agent, or Firm* — Dan DeLaRosa

(57) **CLAIM**

The ornamental design for a container, as shown and described.

DESCRIPTION

FIG. 1 is a front perspective view of a container showing our new design;

FIG. 2 is a front elevational view thereof;

FIG. 3 is a rear elevational view thereof;

FIG. 4 is a first side elevational view thereof;

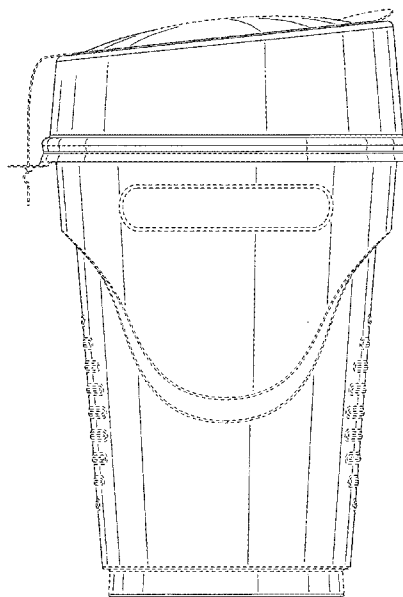
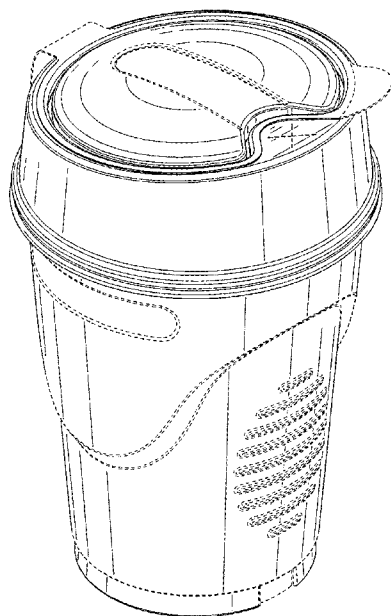
FIG. 5 is a second side elevational view thereof;

FIG. 6 is a top plan view thereof; and,

FIG. 7 is a bottom plan view thereof.

The broken lines in the drawing depict portions of the container that form no part of the claimed design.

1 Claim, 7 Drawing Sheets



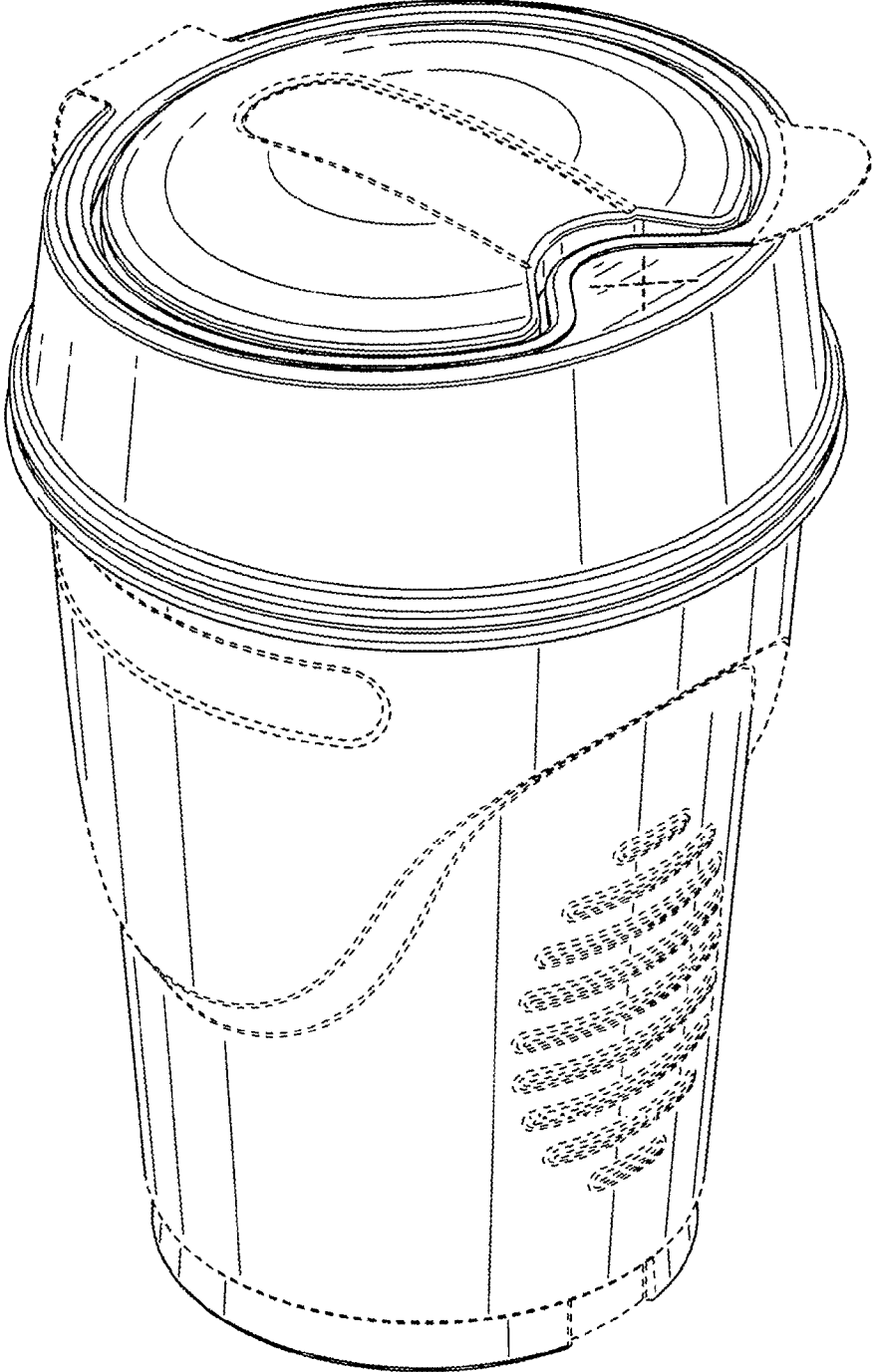


FIG. 1

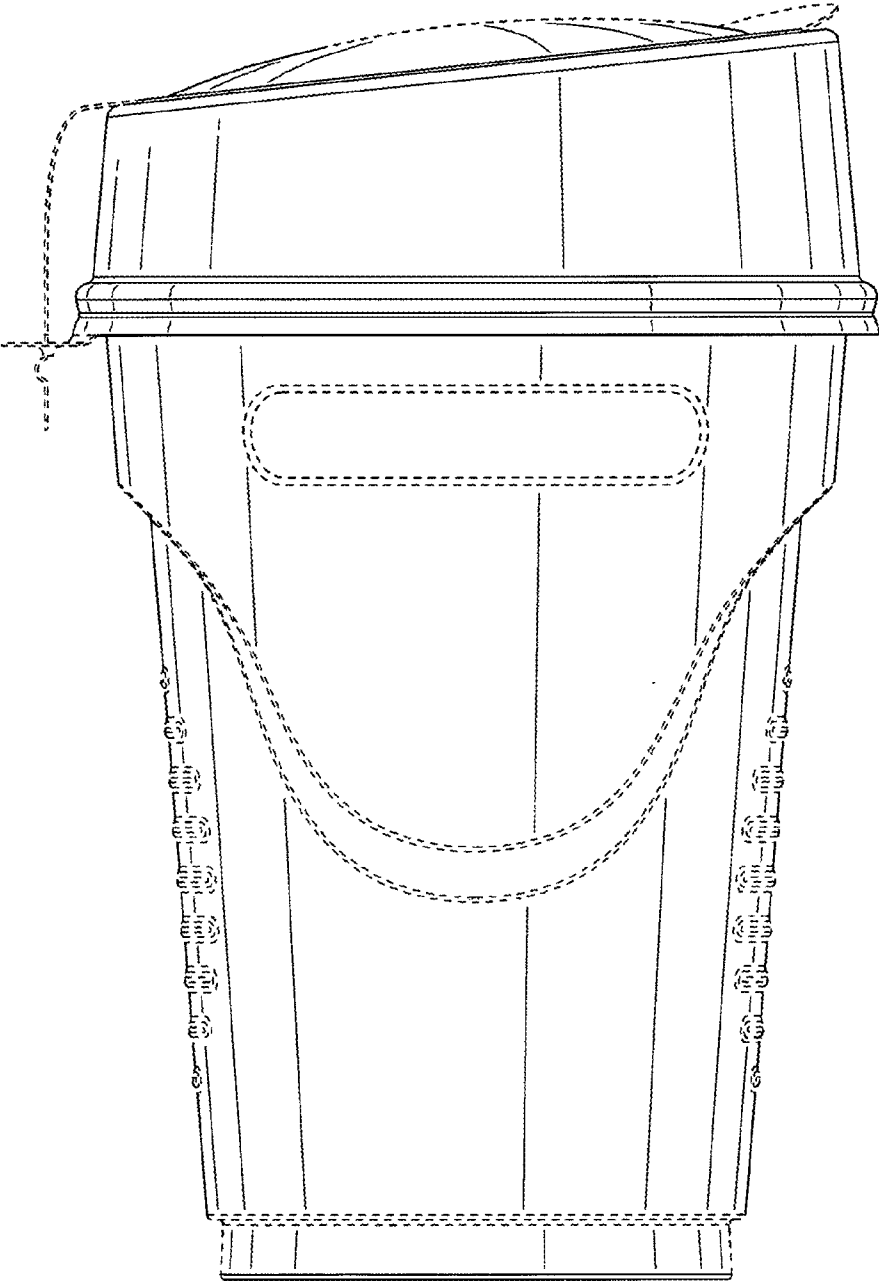


FIG. 2

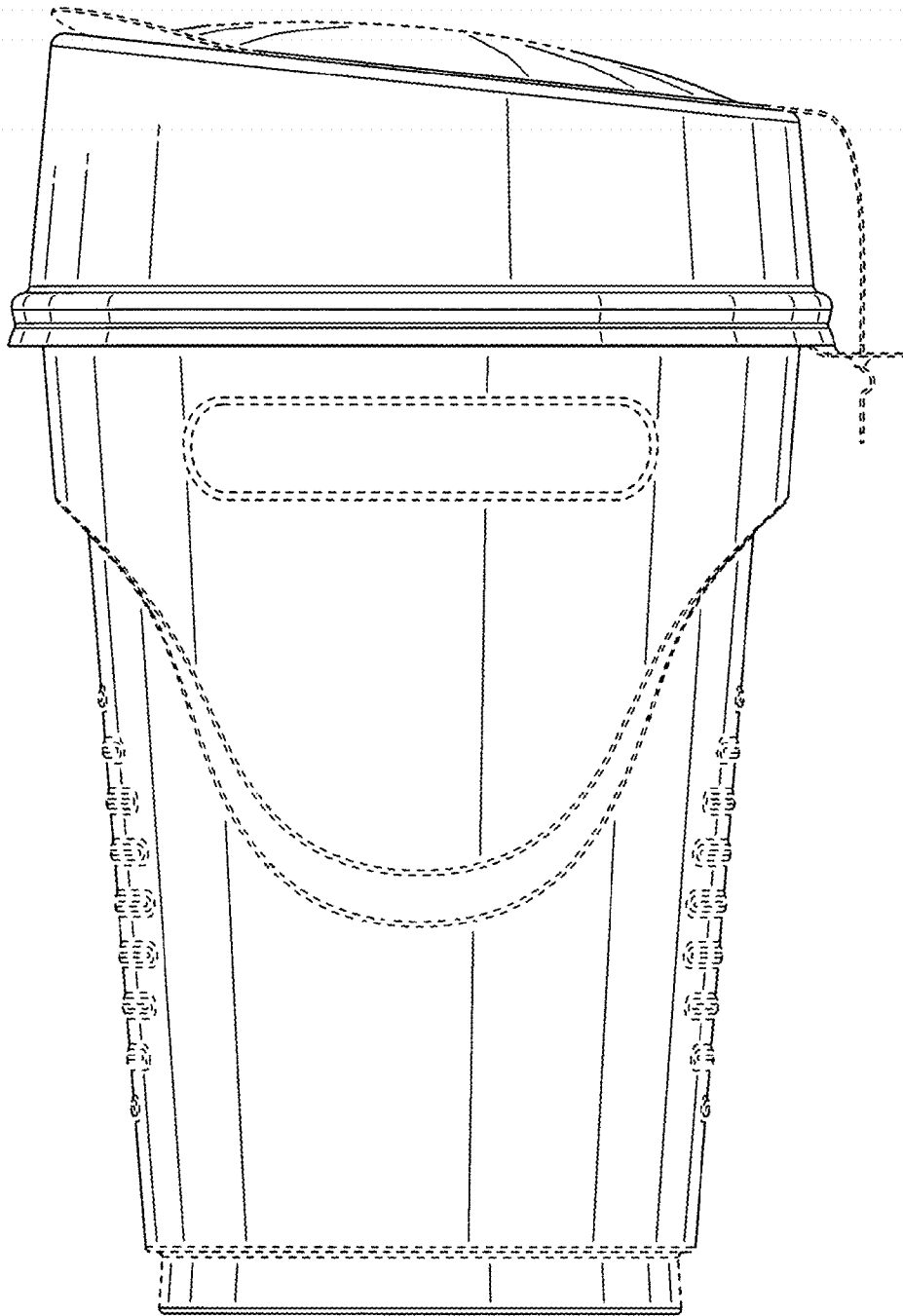


FIG. 3

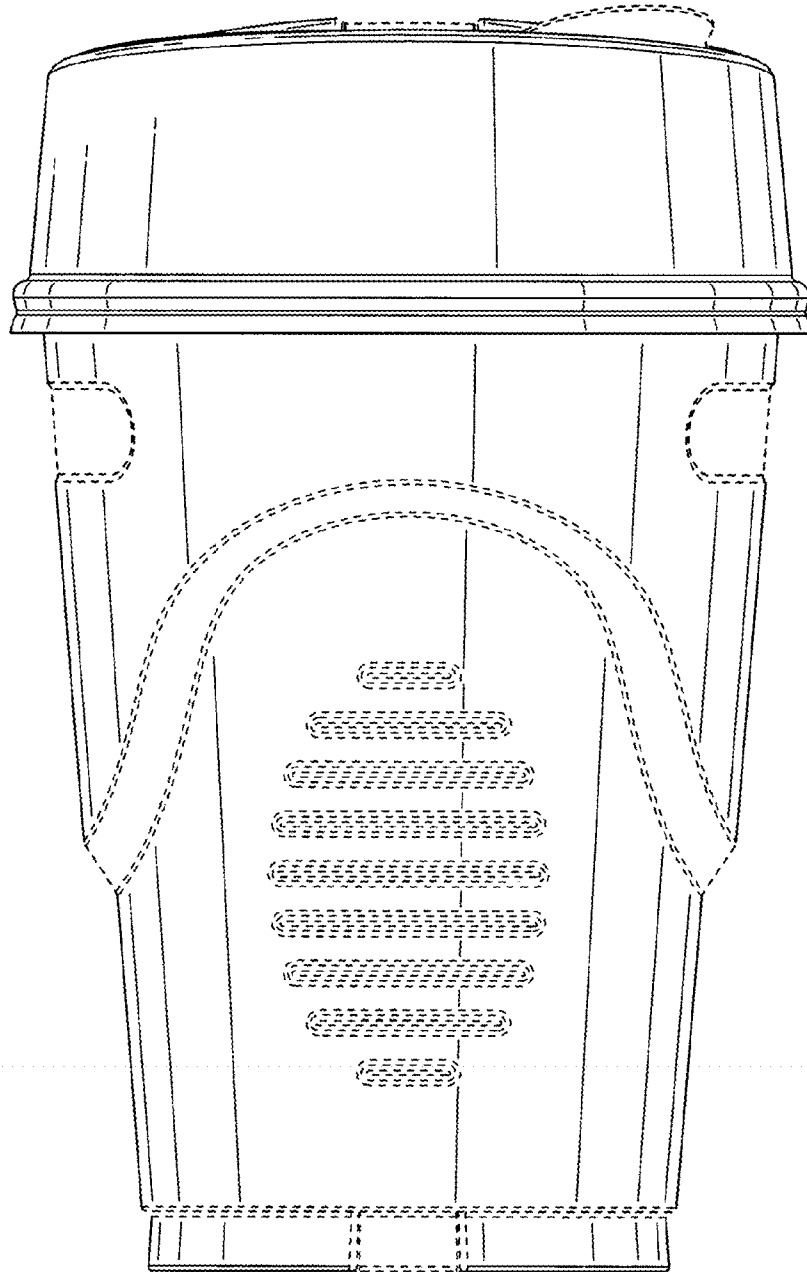


FIG. 4

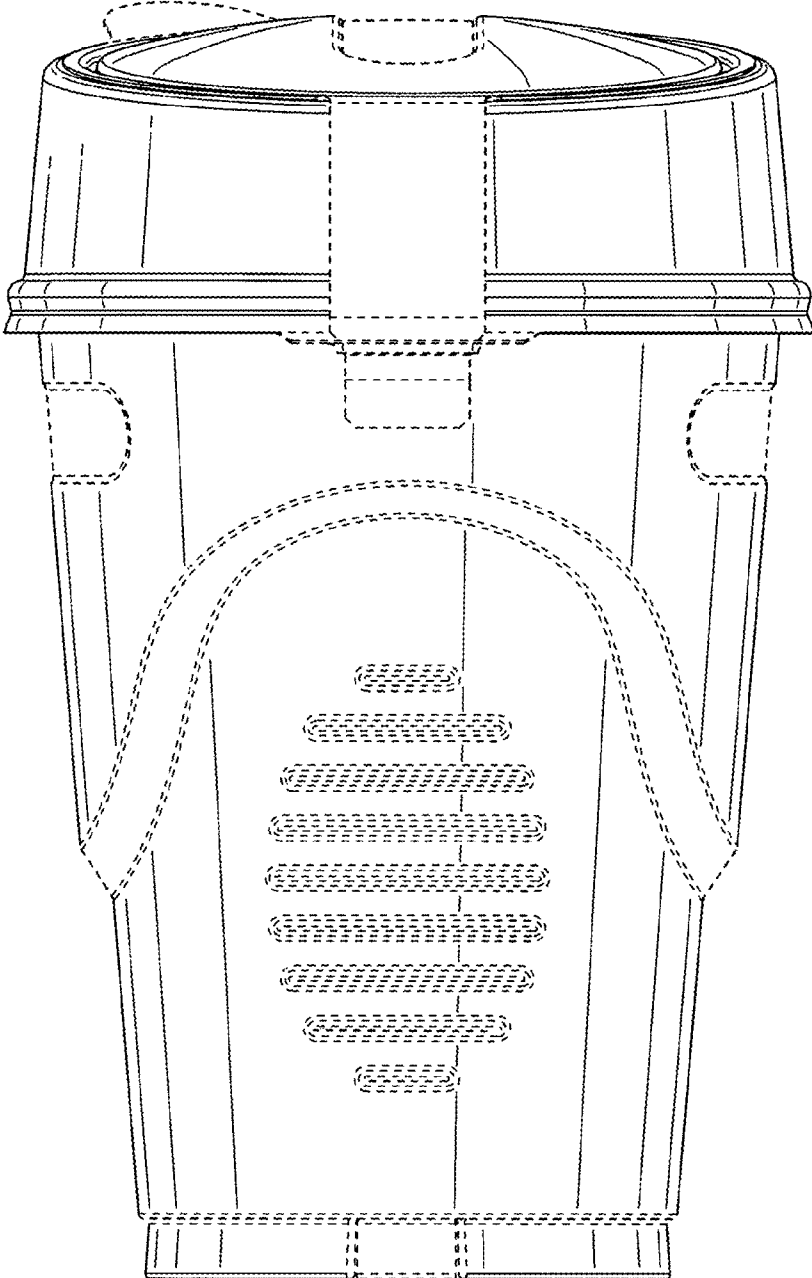


FIG. 5

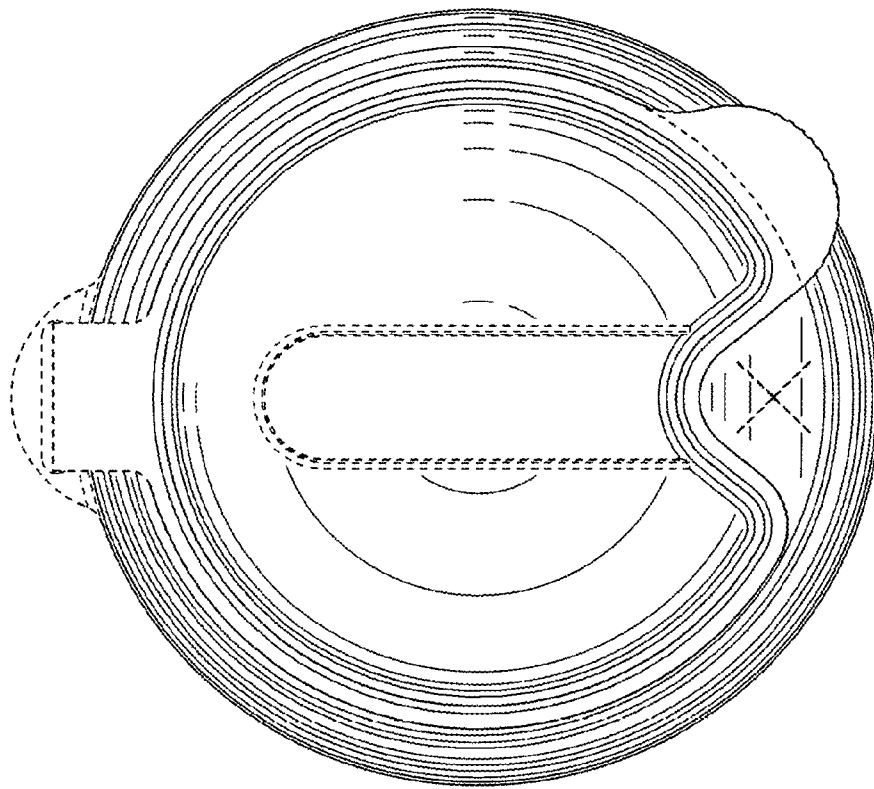


FIG. 6

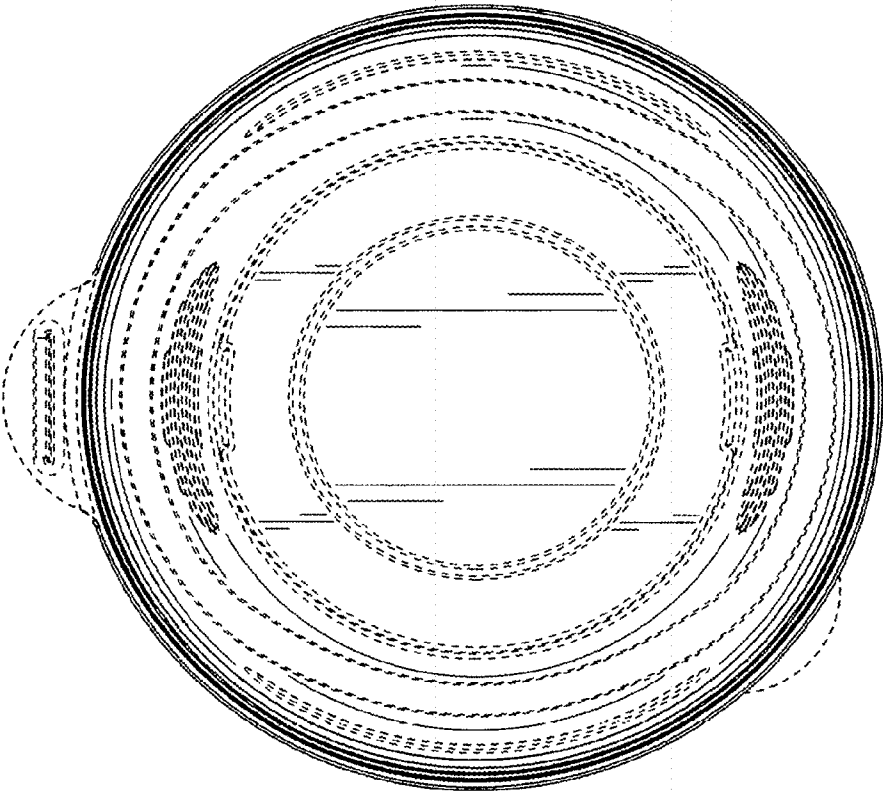


FIG. 7