



US0D1000293S

(12) **United States Design Patent**
Kauffmann

(10) **Patent No.:** **US D1,000,293 S**

(45) **Date of Patent:** **** Oct. 3, 2023**

(54) **WATCH CASE**

D896,104 S * 9/2020 Herrmann D10/38
D897,229 S * 9/2020 Valzan D10/129
D905,578 S * 12/2020 Parmigiani D10/39
D920,812 S * 6/2021 Spilimbergo D10/39

(71) Applicant: **Richemont International SA,**
Villars-sur-Glâne (CH)

(72) Inventor: **Vincent Kauffmann,** Lancy (CH)

(**) Term: **15 Years**

(21) Appl. No.: **35/515,005**

(22) Filed: **Mar. 29, 2022**

(80) **Hague Agreement Data**

Int. Filing Date: **Mar. 29, 2022**
Int. Reg. No.: **DM/222742**
Int. Reg. Date: **Mar. 29, 2022**
Int. Reg. Pub. Date: **Aug. 26, 2022**

(51) **LOC (14) CL.** **10-02**

(52) **U.S. CL.**
USPC **D10/39**

(58) **Field of Classification Search**

USPC D10/30-39, 122-132
CPC G04B 19/04; G04B 19/042; G04B 19/06;
G04B 19/065; G04B 19/08; G04B
19/085; G04B 19/087; G04B 19/10;
G04B 19/103; G04B 19/106; G04B 19/12

See application file for complete search history.

(56) **References Cited**

U.S. PATENT DOCUMENTS

D423,953 S * 5/2000 Kauffmann D10/126
D460,002 S * 7/2002 Wunderman D10/32
D533,090 S * 12/2006 Bajulaz D10/39
D617,213 S * 6/2010 Dolce D10/38
D688,141 S * 8/2013 Jamin D10/39
D748,501 S * 2/2016 Cerrato D10/30
D769,741 S * 10/2016 Buonamassa D10/38
D882,421 S * 4/2020 Herrmann D10/38

OTHER PUBLICATIONS

Sihh 2013 The Vacheron Constantin Patrimony Collection | watchuseek.com; posted Jan. 25, 2013 [online]. [retrieved Jun. 21, 2023] from Internet: <https://www.watchuseek.com/threads/sihh-2013-the-vacheron-constantin-patrimony-collection.808006/> (Year: 2013).*
Vacheron Constantin Patrimony perpetual calendar ultra-thin | escapementmagazine.com; posted Dec. 30, 2019 [online]. © 2023 Escapement Magazines [retrieved Jun. 21, 2023] from Internet: <https://escapementmagazine.com/articles/vacheron-constantin-patrimony-perpetual-calendar-ultra-thin/> (Year: 2019).*
Introducing The Vacheron Constantin Patrimony Self-Winding | timeandtidewatches.com; posted Apr. 4, 2022 [online]. © 2023 Time +Tide [retrieved Jun. 21, 2023] from Internet: <https://timeandtidewatches.com/introducing-the-vacheron-constantin-patrimony-self-winding/> (Year: 2022).*

* cited by examiner

Primary Examiner — Katherine Glennon

(57) **CLAIM**

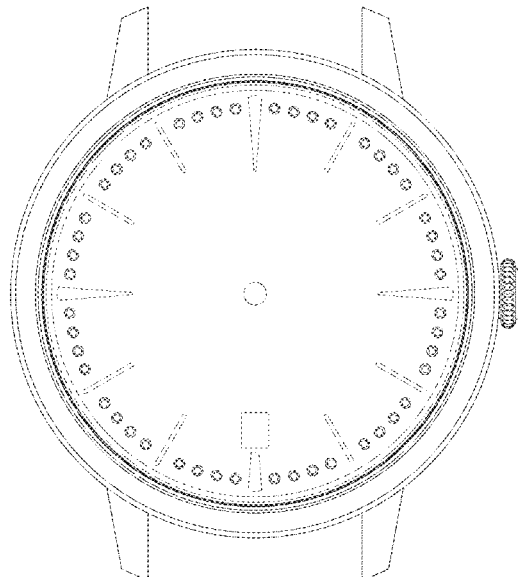
The ornamental design for a watch case, as shown and described.

DESCRIPTION

- 1. Watch case
- 1.1 is a front view.
- 1.2 is a back view.
- 1.3 is a top view.
- 1.4 is a bottom view.
- 1.5 is a right side view.
- 1.6 is a left side view.
- 1.7 is a front perspective view.
- 1.8 is a back perspective view.

A self-winding watch case as shown in the reproductions.

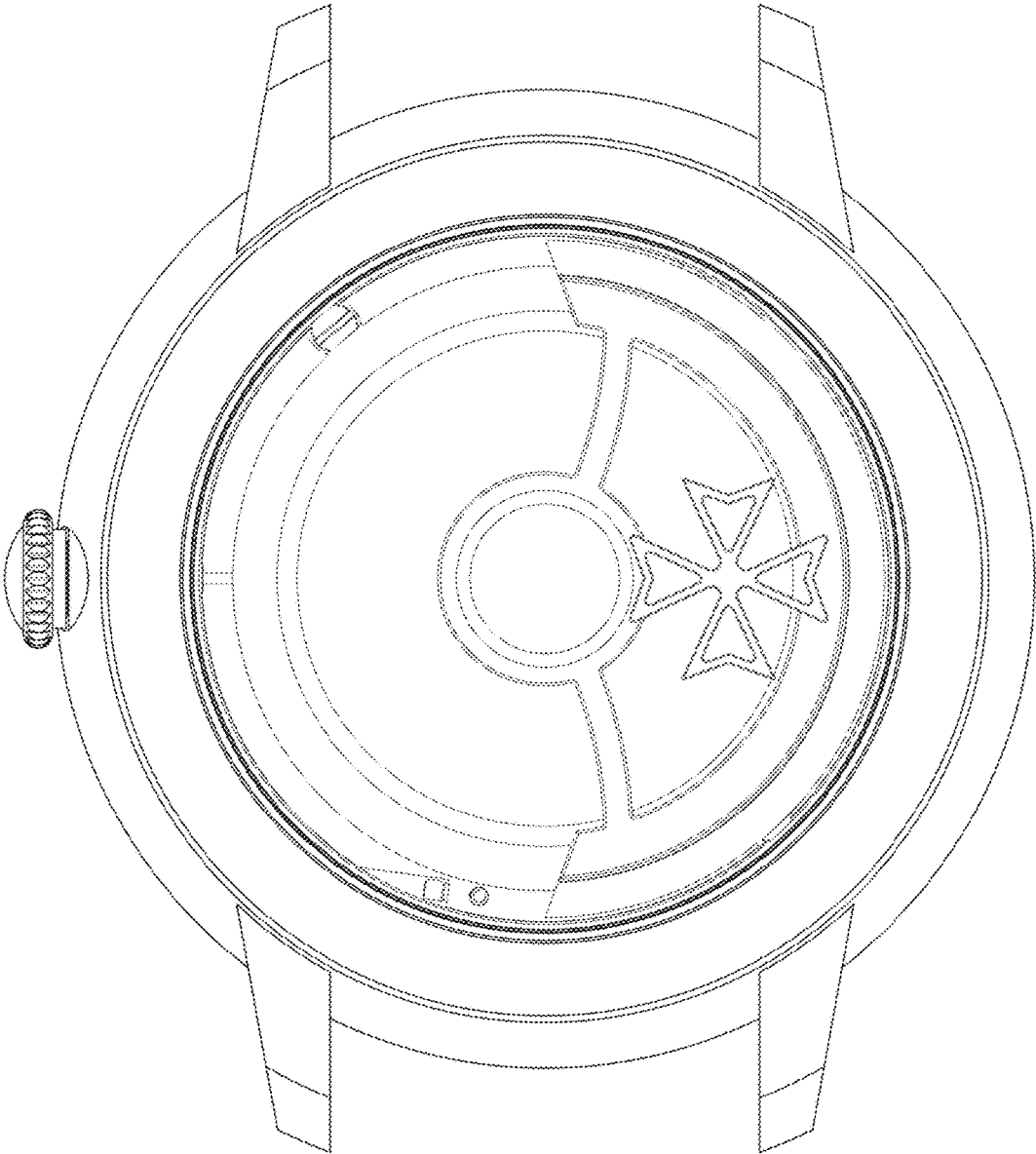
1 Claim, 8 Drawing Sheets



1.1



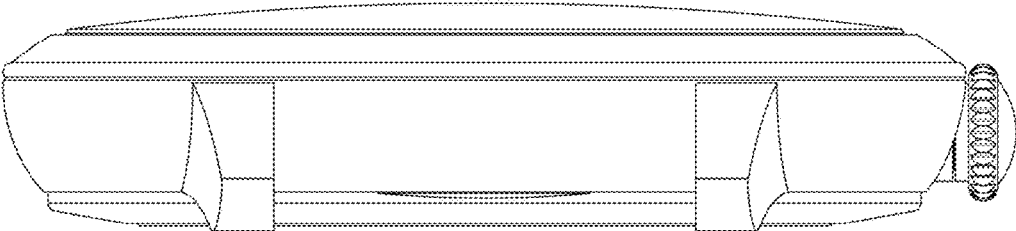
1.2



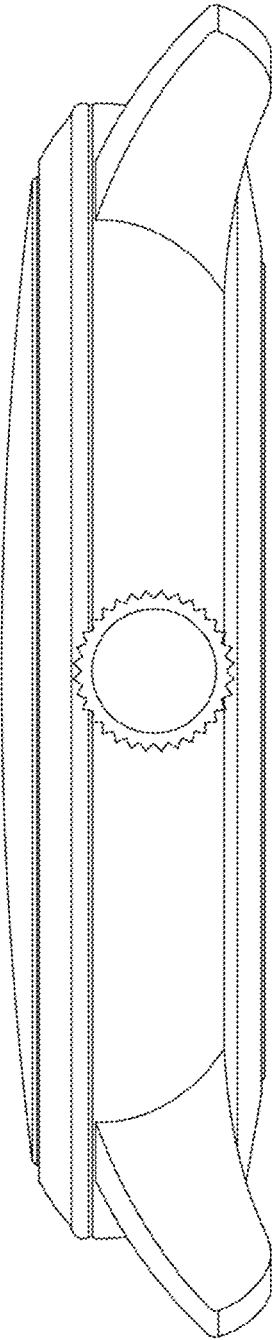
1.3



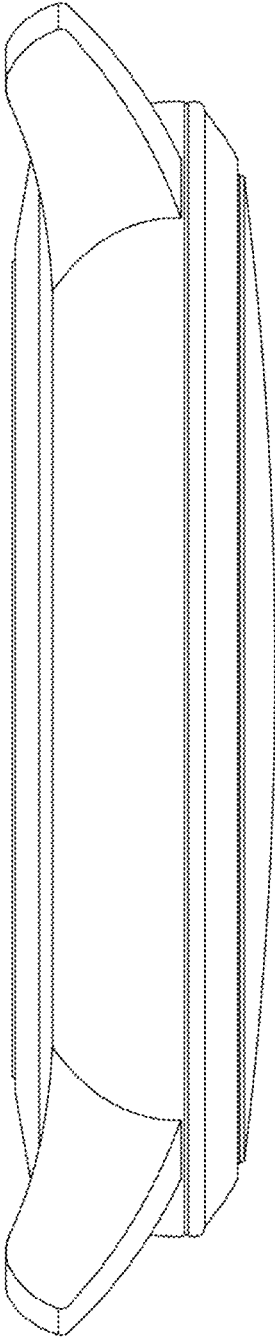
1.4



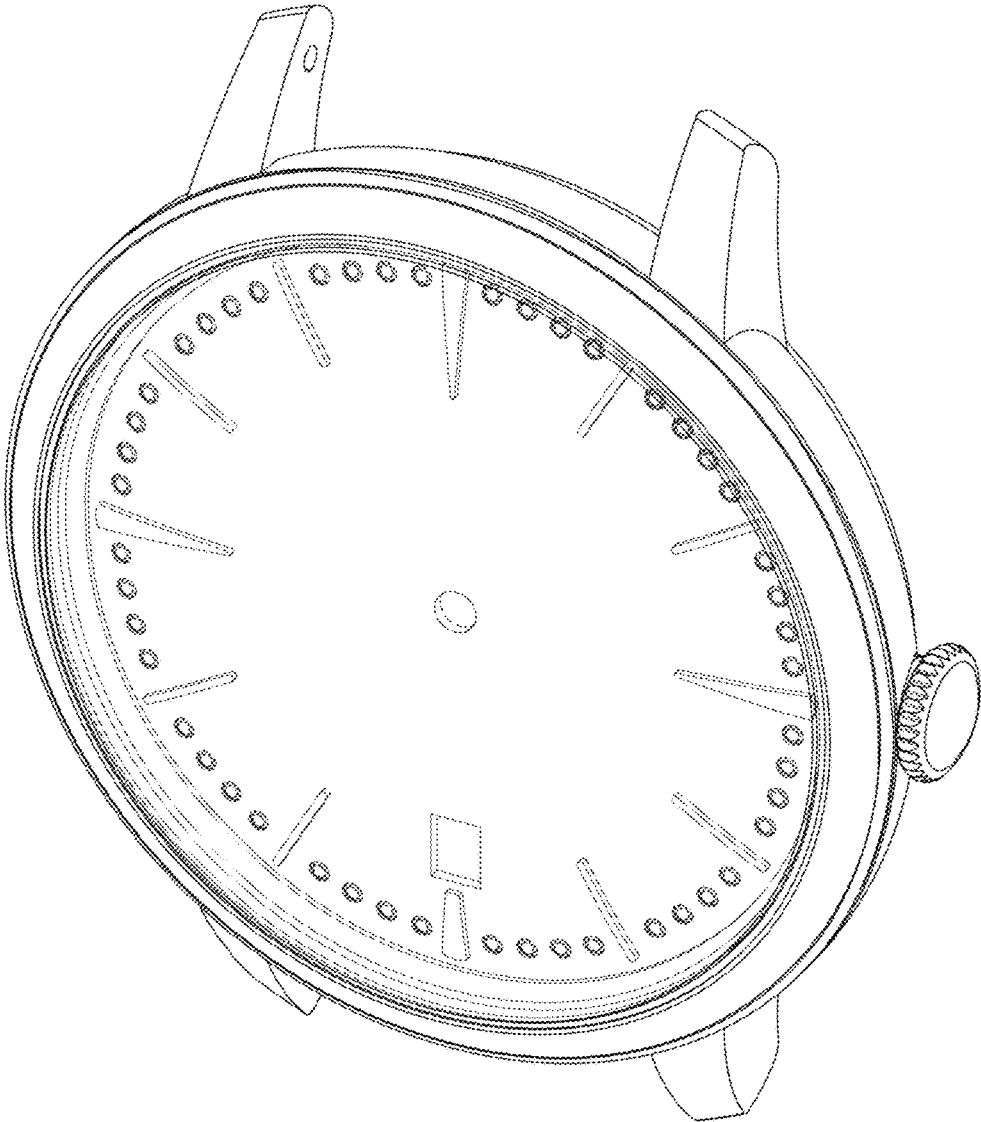
1.5



1.6



1.7



1.8

