



US00D786159S

(12) **United States Design Patent**  
**Boyd**

(10) **Patent No.:** **US D786,159 S**

(45) **Date of Patent:** **\*\* May 9, 2017**

- (54) **WHEEL**
- (71) Applicant: **Lawrence Boyd**, Springfield, MO (US)
- (72) Inventor: **Lawrence Boyd**, Springfield, MO (US)
- (\*\*) Term: **14 Years**
- (21) Appl. No.: **29/506,108**
- (22) Filed: **Oct. 13, 2014**
- (51) **LOC (10) Cl.** ..... **12-16**
- (52) **U.S. Cl.**  
USPC ..... **D12/211**
- (58) **Field of Classification Search**  
USPC ..... D12/204–213  
CPC .... B60B 7/00; B60B 7/02; B60B 7/04; B60B 7/01; B60B 7/06; B60B 3/02; B60B 3/04; B60B 3/06; B60B 3/10; B60B 1/00; B60B 1/08; B60B 1/10; B60B 1/12  
See application file for complete search history.

D663,668	S	*	7/2012	Pollmann	.....	D12/209
D689,809	S	*	9/2013	Kim	.....	D12/209
D697,008	S	*	1/2014	Juergens	.....	D12/209
D718,206	S	*	11/2014	Song	.....	D12/211
D726,626	S	*	4/2015	Mays	.....	D12/211
D747,248	S	*	1/2016	Amezketta	.....	D12/209
D748,034	S	*	1/2016	Hall	.....	D12/211
D748,558	S	*	2/2016	Hans	.....	D12/211
D749,029	S	*	2/2016	Wheel	.....	D12/211
D753,574	S	*	4/2016	Mielke	.....	D12/211
D755,690	S	*	5/2016	von Tardy-Tuch	.....	D12/209
D759,559	S	*	6/2016	Mielke	.....	D12/209
D762,155	S	*	7/2016	Juergens	.....	D12/211
D763,765	S	*	8/2016	Boyd	.....	D12/211

\* cited by examiner

Primary Examiner — Stacia Cadmus

(74) Attorney, Agent, or Firm — Donn K. Harms

(57) **CLAIM**

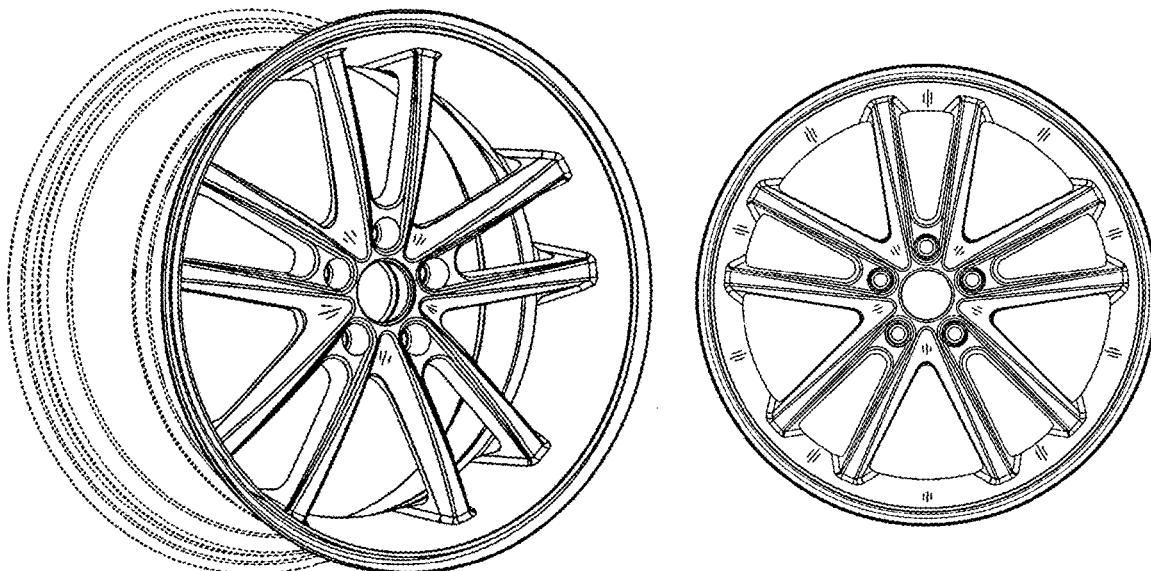
The ornamental design for a wheel, as shown and described.

**DESCRIPTION**

FIG. 1 is a front perspective view of the wheel; and, FIG. 2 is a front view of the wheel, it being understood that the ornamental design of FIGS. 1 and 2 are not expressed in top, bottom and side views and thus they are omitted. The broken line showing of the rear portion of the wheel is included for the purpose of illustrating environment and forms no part of the claimed design.

**1 Claim, 2 Drawing Sheets**

- (56) **References Cited**  
**U.S. PATENT DOCUMENTS**  
D432,974 S \* 10/2000 Jablonski ..... D12/211  
D542,728 S \* 5/2007 Ichinose ..... D12/211  
D552,525 S \* 10/2007 Celik ..... D12/211  
D598,834 S \* 8/2009 Juergens ..... D12/209  
D626,053 S \* 10/2010 Groom ..... D12/211



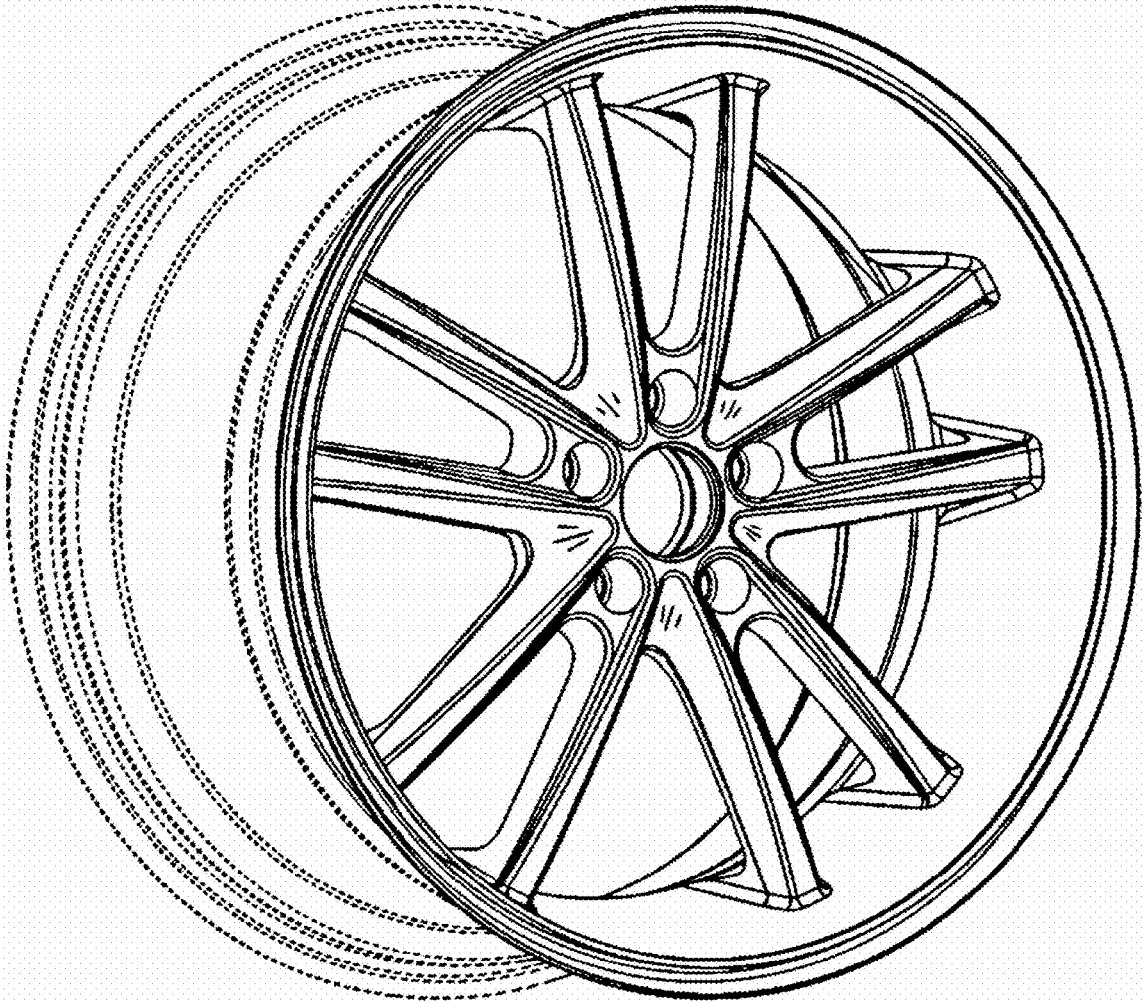


Fig. 1

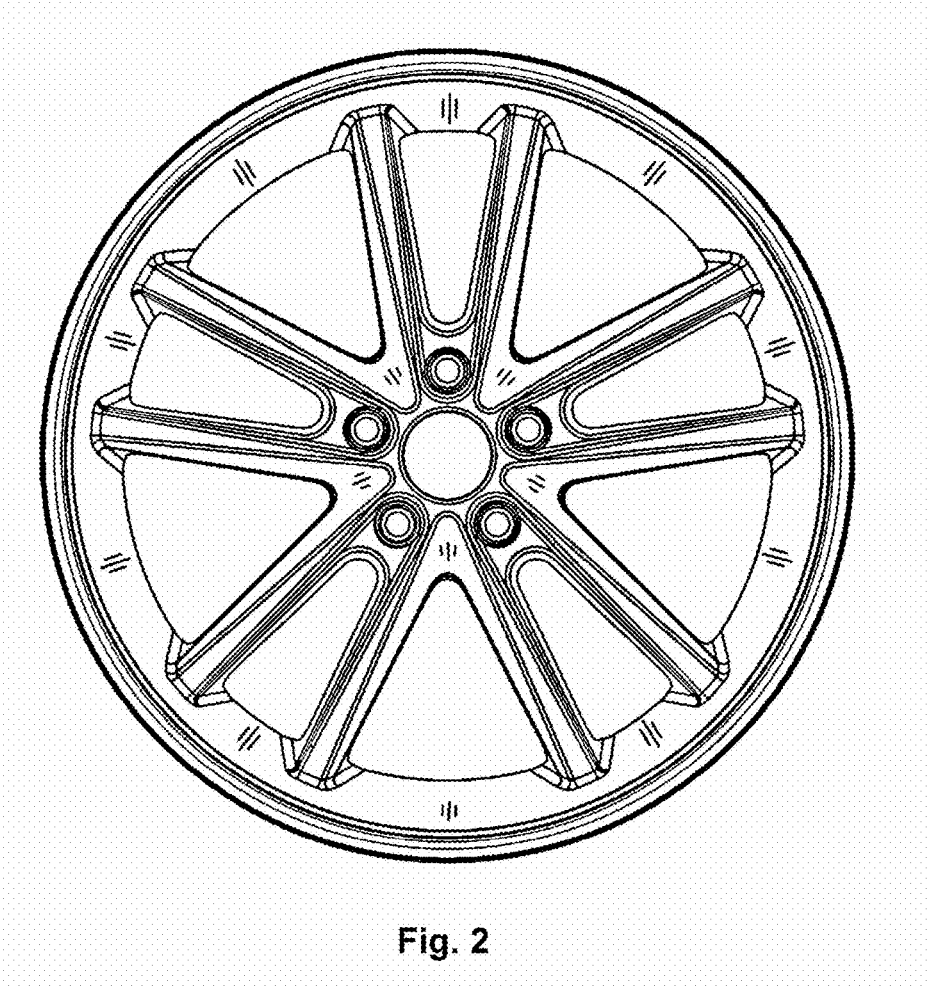


Fig. 2