



US00D751682S

(12) **United States Design Patent**  
Nechita et al.

(10) **Patent No.:** US D751,682 S

(45) **Date of Patent:** \*\* Mar. 15, 2016

(54) **DIFFUSER**

(71) Applicants: **Viorica Nechita**, Beverly Hills, CA  
(US); **Niki Miluta Nechita**, Beverly  
Hills, CA (US)

(72) Inventors: **Viorica Nechita**, Beverly Hills, CA  
(US); **Niki Miluta Nechita**, Beverly  
Hills, CA (US)

(\*\*) Term: **14 Years**

(21) Appl. No.: **29/501,202**

(22) Filed: **Sep. 2, 2014**

(51) **LOC (10) Cl.** ..... **28-99**

(52) **U.S. Cl.**  
USPC ..... **D23/366**

(58) **Field of Classification Search**  
USPC ..... D23/355-369; D28/5, 6; 261/DIG. 17,  
261/DIG. 42, DIG. 47, DIG. 55, DIG. 65,  
261/DIG. 70, DIG. 88, DIG. 89; 392/386,  
392/394, 395; 239/34, 44, 53; D7/615, 630  
CPC ..... A61L 9/02; A61L 9/037; A61L 9/03;  
A61L 9/04; A61L 9/12; A61L 9/127; A61L  
9/22

See application file for complete search history.

(56) **References Cited**

U.S. PATENT DOCUMENTS

D288,842 S *	3/1987	Kwiatkowski .....	D23/366
D392,032 S *	3/1998	Zaragoza .....	D23/366
D454,190 S *	3/2002	Trocola .....	D23/366
6,419,122 B1 *	7/2002	Chown .....	A01M 1/2044 222/162
D509,893 S *	9/2005	Sevy .....	D23/366
D544,084 S *	6/2007	Michaels .....	D23/366
D599,899 S *	9/2009	Thompson .....	D23/366
D622,835 S *	8/2010	Mendheim .....	D23/364
D663,399 S *	7/2012	Browder .....	D23/366
2014/0158790 A1 *	6/2014	Gordon .....	A01M 1/2044 239/44

\* cited by examiner

*Primary Examiner* — Sandra Snapp

(74) *Attorney, Agent, or Firm* — One LLP

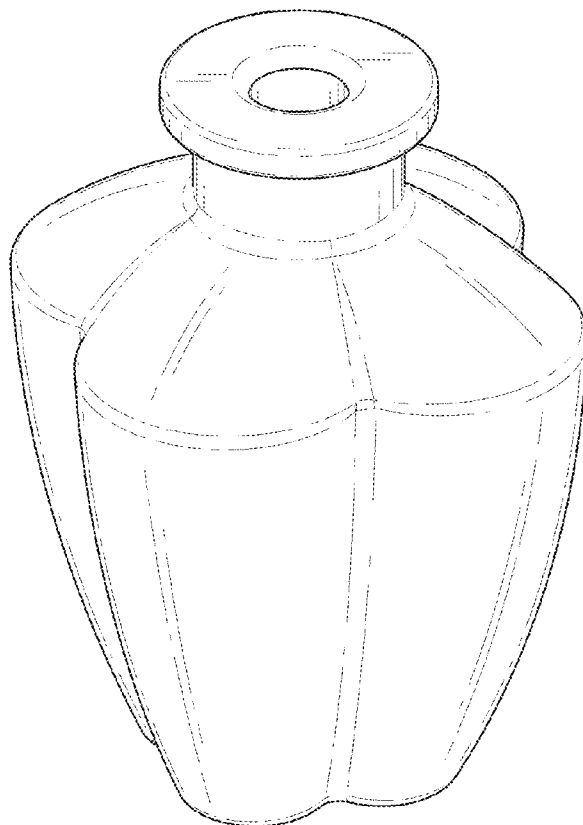
(57) **CLAIM**

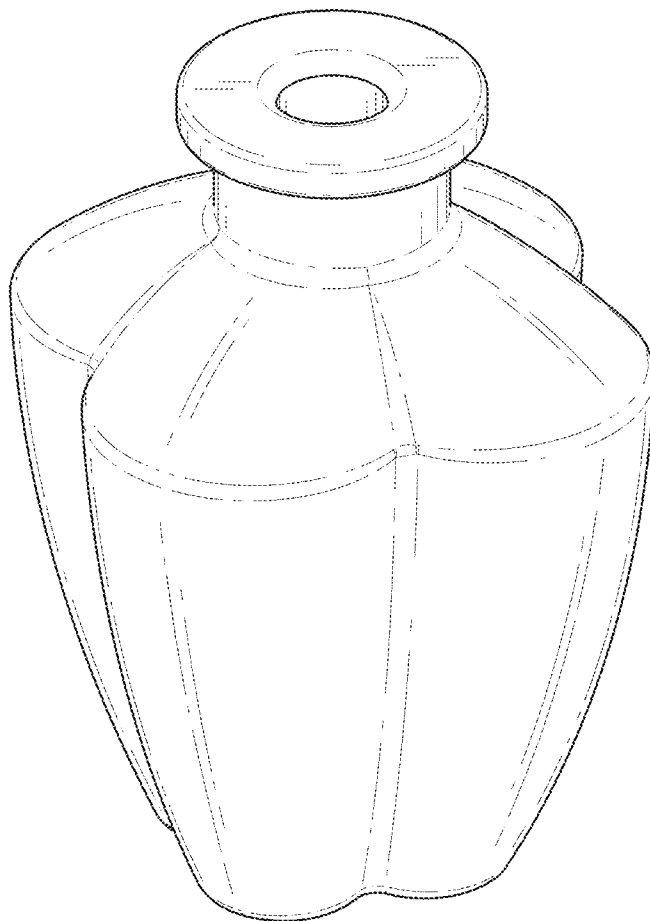
The ornamental design for a diffuser, as shown and described.

**DESCRIPTION**

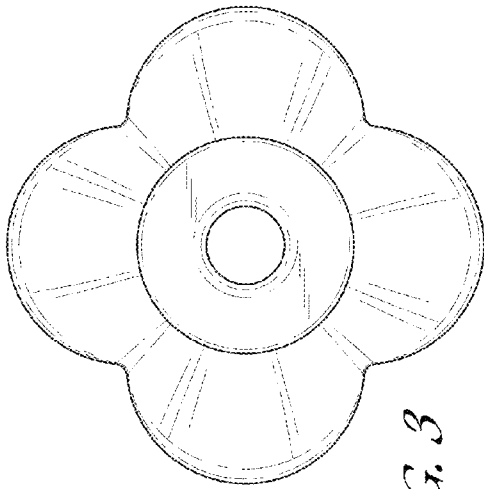
FIG. 1 is a perspective view of the diffuser;  
FIG. 2 is a front elevation view thereof;  
FIG. 3 is a top plan view thereof; and,  
FIG. 4 is a bottom plan view thereof.

**1 Claim, 2 Drawing Sheets**

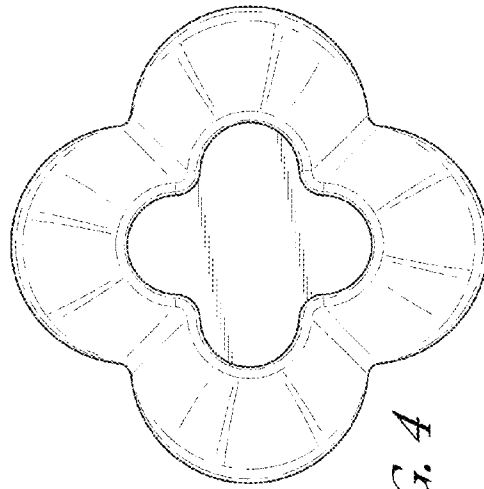




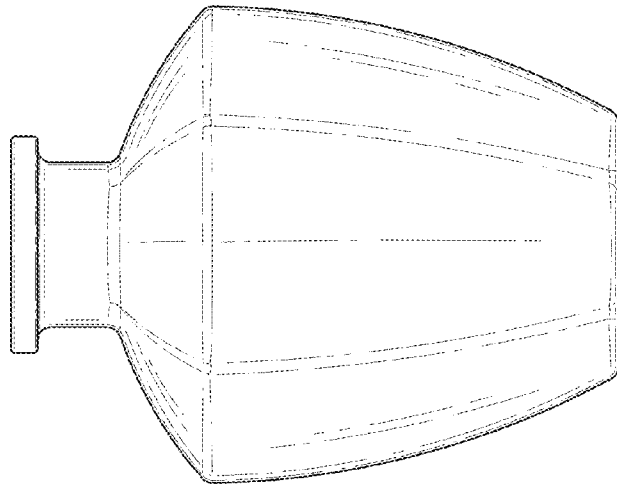
*FIG. 1*



*FIG. 3*



*FIG. 4*



*FIG. 2*