



US00D408947S

United States Patent [19] Mandell

[11] **Patent Number:** **Des. 408,947**
[45] **Date of Patent:** ****Apr. 27, 1999**

[54] **BUTTERFLY FEEDER**

[75] Inventor: **Jonathan N. Mandell**, North Canton, Ohio

[73] Assignee: **Rubbermaid Incorporated**, Wooster, Ohio

[**] Term: **14 Years**

[21] Appl. No.: **29/088,324**

[22] Filed: **May 20, 1998**

[51] **LOC (6) Cl.** **30-07**

[52] **U.S. Cl.** **D30/121; D30/124**

[58] **Field of Search** **D30/124, 125, D30/110-111, 121; 119/329, 428-435, 464, 467, 475, 478, 484, 51.01, 51.03, 51.5, 52.1-52.3, 57.8-57.9, 72, 74**

[56] **References Cited**

U.S. PATENT DOCUMENTS

| | | | | |
|------------|---------|------------------|-------|---------|
| D. 194,683 | 2/1963 | Clegg | | D30/125 |
| D. 194,846 | 3/1963 | Parry | | D30/125 |
| D. 252,288 | 7/1979 | Killham | . | |
| D. 368,336 | 3/1996 | Brown | | D30/124 |
| D. 372,563 | 8/1996 | Brown | | D30/125 |
| D. 380,878 | 7/1997 | Brown | | D30/124 |
| 5,062,390 | 11/1991 | Bescherer et al. | . | |
| 5,269,258 | 12/1993 | Brown | . | |
| 5,493,999 | 2/1996 | Schenck | | 119/72 |
| 5,682,835 | 11/1997 | Walter et al. | . | |

OTHER PUBLICATIONS

Sell sheet, Feeder; ACB Nature Products Inc., Yawgoo Pond Road, P. O. Box 277, West Kingston, Rhode Island 02892. Published at least as early as May, 1996.

Sell sheet, Feeder; Angine Products, 9931 East Eugenia Drive, Tucson, Arizona 85730. Published at least as early as 1995.

Sell sheet, Feeder; Perky Pet Brand, 2201 South Wabash Street, Denver, Colorado 80231. Published at least as early as 1995.

Sell sheet, Feeder; Hyde Bird Feeder Co., 56 Felton Street, P. O. Box 168, Waltham, Massachusetts 02254. Publication date Fall-Winter 1992-93.

P. 7; Feeder; Duncraft, Inc., Penacook, New Hampshire 03303. Publication date 1980.

Primary Examiner—Cathy Anne MacCormac
Attorney, Agent, or Firm—Richard B. O’Planick; Timothy A. Nathan

[57] **CLAIM**

The ornamental design for a butterfly feeder, as shown and described.

DESCRIPTION

FIG. 1 is a top front perspective view of a butterfly feeder showing my new design;

FIG. 2 is a top plan view thereof;

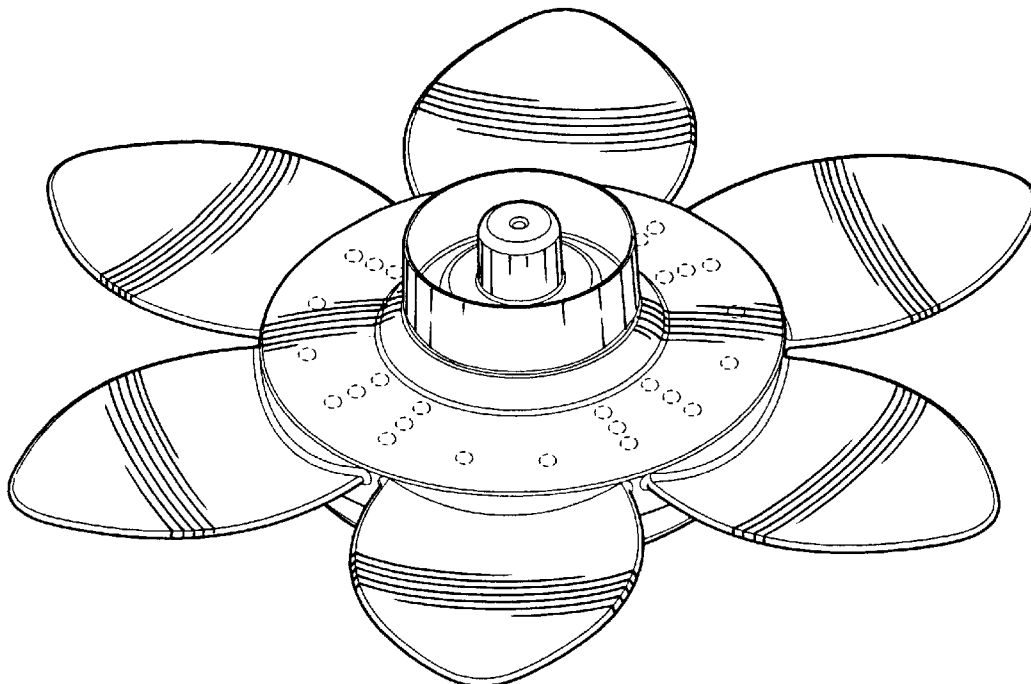
FIG. 3 is a right side elevational view thereof; the left side elevational view being a mirror image;

FIG. 4 is a front elevational view thereof; the rear elevational view being a mirror image; and,

FIG. 5 is a bottom plan view thereof.

The broken line drawings of holes in FIG. 1 are for illustrative purposes only and form no part of the claimed design.

1 Claim, 2 Drawing Sheets



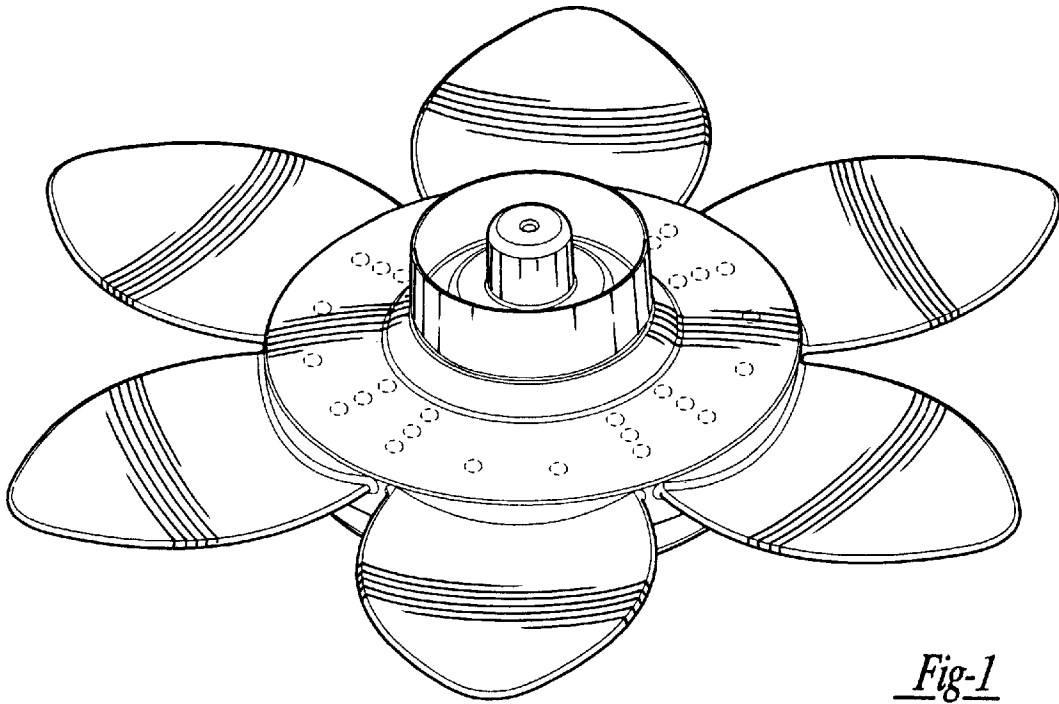


Fig-1

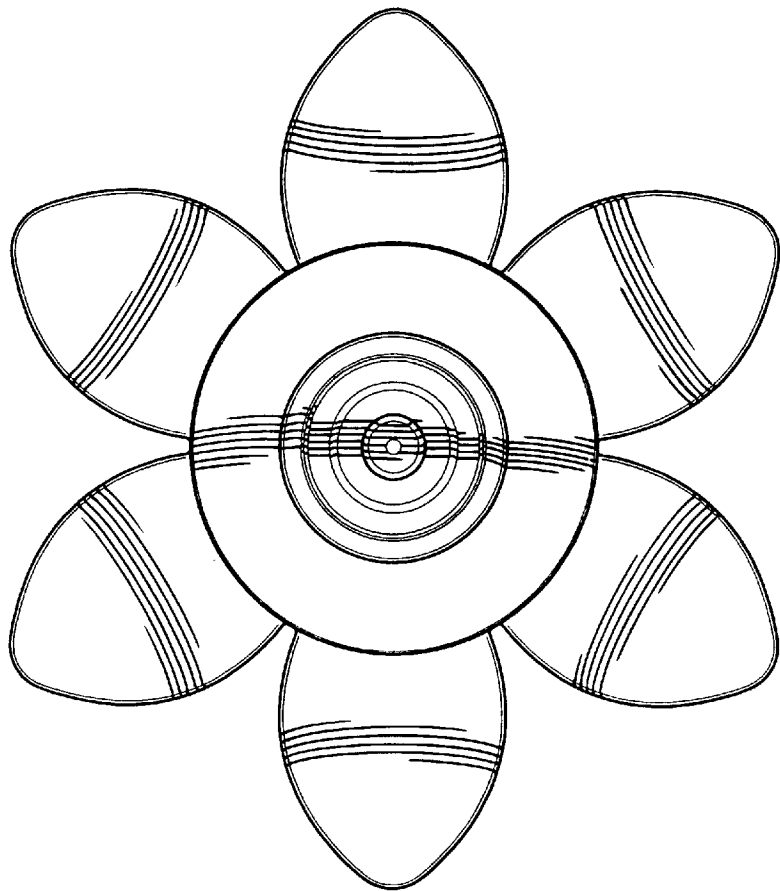


Fig-2

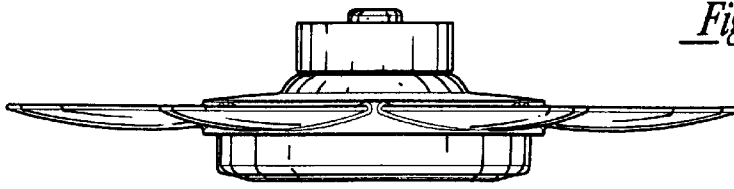


Fig-3

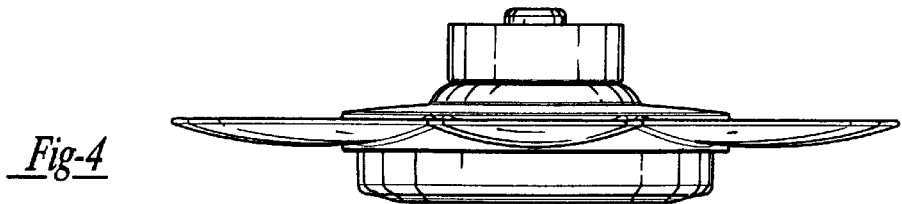


Fig-4

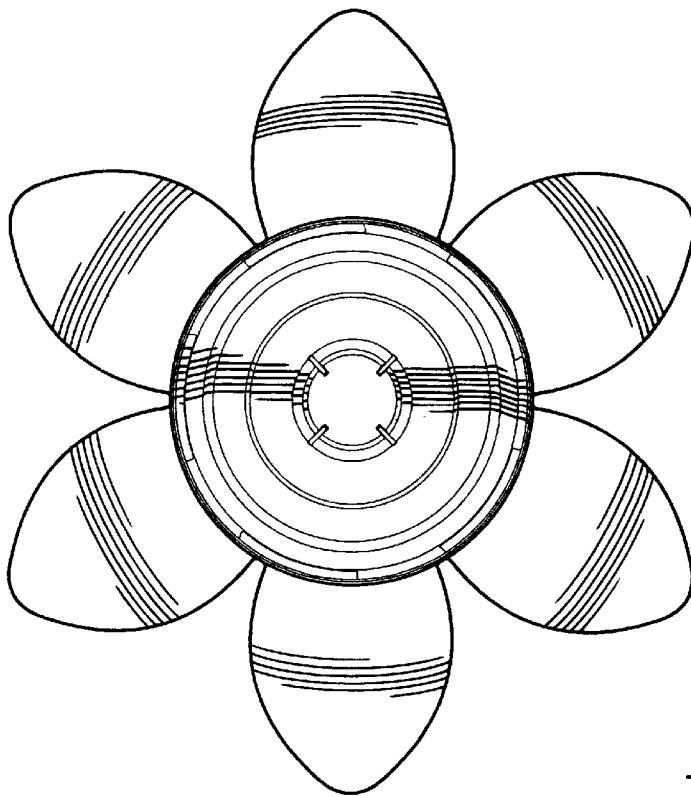


Fig-5