



US00D765925S

(12) **United States Design Patent** (10) **Patent No.:** **US D765,925 S**
Roberson et al. (45) **Date of Patent:** **** Sep. 6, 2016**

- (54) **DISHWASHER DOOR HANDLE**
- (71) Applicant: **BSH Home Appliances Corporation**, Irvine, CA (US)
- (72) Inventors: **Lindsay Roberson**, Durham, NC (US); **Thomas Ott**, Neubiberg (DE)
- (73) Assignee: **BSH Home Appliances Corporation**, Irvine, CA (US)
- (**) Term: **15 Years**
- (21) Appl. No.: **29/550,902**
- (22) Filed: **Jan. 8, 2016**

Related U.S. Application Data

- (62) Division of application No. 29/540,175, filed on Sep. 22, 2015, now Pat. No. Des. 753,887, which is a division of application No. 29/534,268, filed on Jul. 28, 2015, now Pat. No. Des. 745,751, which is a division of application No. 29/524,472, filed on Apr. 21, 2015, now Pat. No. Des. 741,031, which is a division of application No. 29/483,268, filed on Feb. 27, 2014, now Pat. No. Des. 732,761, which is a division of application No. 29/468,763, filed on Oct. 3, 2013, now Pat. No. Des. 706,997, which is a division of application No. 29/460,929, filed on Jul. 17, 2013, now Pat. No. Des. 698,506, which is a division of application No. 29/451,489, filed on Apr. 3, 2013, now Pat. No. Des. 692,628, which is a division of application No. 29/424,165, filed on Jun. 8, 2012, now Pat. No. Des. 684,734, which is a division of application No. 29/397,798, filed on Jul. 21, 2011, now Pat. No. Des. 665,956.

- (51) **LOC (10) Cl.** **15-05**
- (52) **U.S. Cl.**
- USPC **D32/3**

- (58) **Field of Classification Search**
USPC D32/1-3, 25, 28; D7/340, 348-350, D7/405; 312/31, 109, 228; 134/56 D, 57 D, 134/58 D, 58 DL, 201
CPC A47L 15/4265; A47L 15/4259; A47L 15/4257; A47L 15/4293; F25D 23/02; F25D 23/021
See application file for complete search history.

(56) **References Cited**

U.S. PATENT DOCUMENTS

D191,224 S *	8/1961	Fay	D32/2
5,365,959 A *	11/1994	Favaro	A47L 15/4293
				134/113
D493,582 S *	7/2004	Ott	D32/3
D493,583 S *	7/2004	Kaczmarek	D32/3
D501,963 S *	2/2005	Kaczmarek	D32/3
D519,689 S *	4/2006	Ott	D32/3
D544,657 S *	6/2007	Jung	D32/2
D627,938 S *	11/2010	Kim	D32/2
D658,828 S *	5/2012	Kim	D32/2

(Continued)

Primary Examiner — Robert Delehanty
(74) *Attorney, Agent, or Firm* — Michael Tschupp; Andre Pallapies

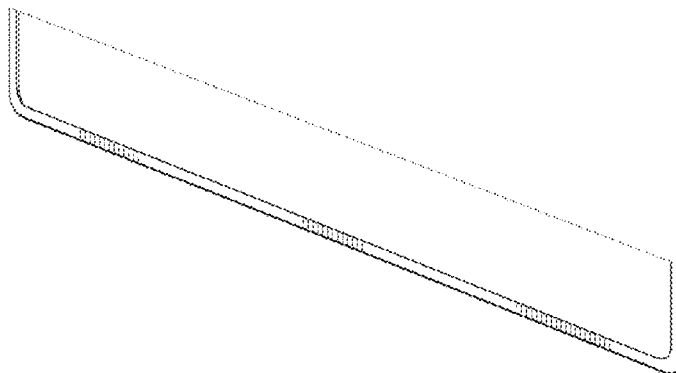
CLAIM

(57) The ornamental design for a dishwasher door handle, as shown and described.

DESCRIPTION

FIG. 1 is a perspective view of a dishwasher door handle as according to our new ornamental design;
FIG. 2 is a front view thereof;
FIG. 3 is a side view thereof; and,
FIG. 4 is another perspective view thereof.
The broken lines of the dishwasher, dishwasher compartment and/or components thereof show surrounding structure or environment and do not form part of the claimed design. The bottom, front and rear parts of the dishwasher door, and the bottom, front, rear and top of the dishwasher compartment are unornamented and form no part of the claimed design.

1 Claim, 1 Drawing Sheet



(56)

References Cited

U.S. PATENT DOCUMENTS

D665,956 S *	8/2012	Eng	D32/2	D673,742 S *	1/2013	Eng	D32/2
D665,957 S *	8/2012	Eng	D32/2	D684,734 S *	6/2013	Eng	D32/3
D668,402 S *	10/2012	Eng	D32/3	D684,735 S *	6/2013	Eng	D32/3
D668,403 S *	10/2012	Eng	D32/3	D684,736 S *	6/2013	Eng	D32/3
D668,404 S *	10/2012	Eng	D32/3	D685,149 S *	6/2013	Eng	D32/3
D670,457 S *	11/2012	Eng	D32/3	D689,248 S *	9/2013	Eng	D32/3
D672,101 S *	12/2012	Eng	D32/3	D692,628 S *	10/2013	Eng	D32/2
					D692,629 S *	10/2013	Eng	D32/3
					D693,069 S *	11/2013	Gobleben	D32/3
					D693,070 S *	11/2013	Eng	D32/3

* cited by examiner

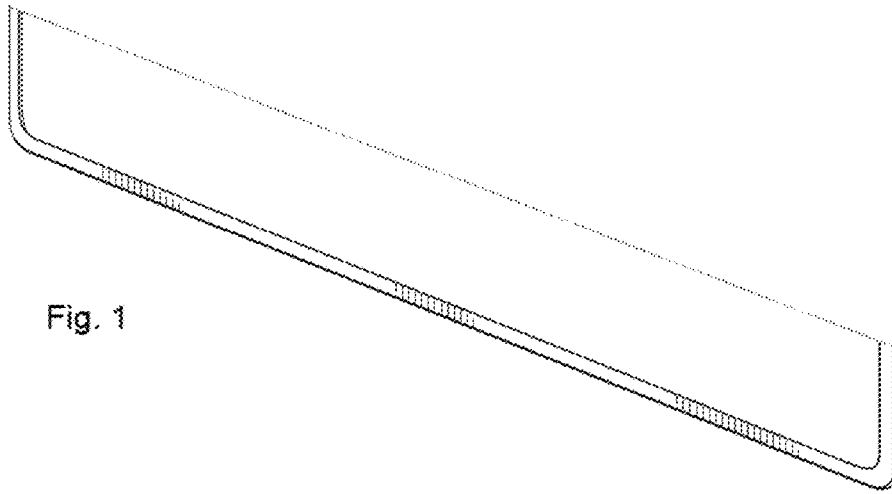


Fig. 1

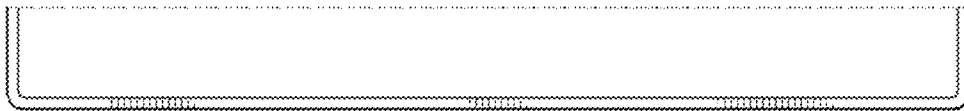


Fig. 2

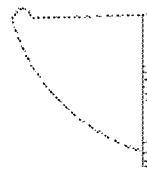


Fig. 3

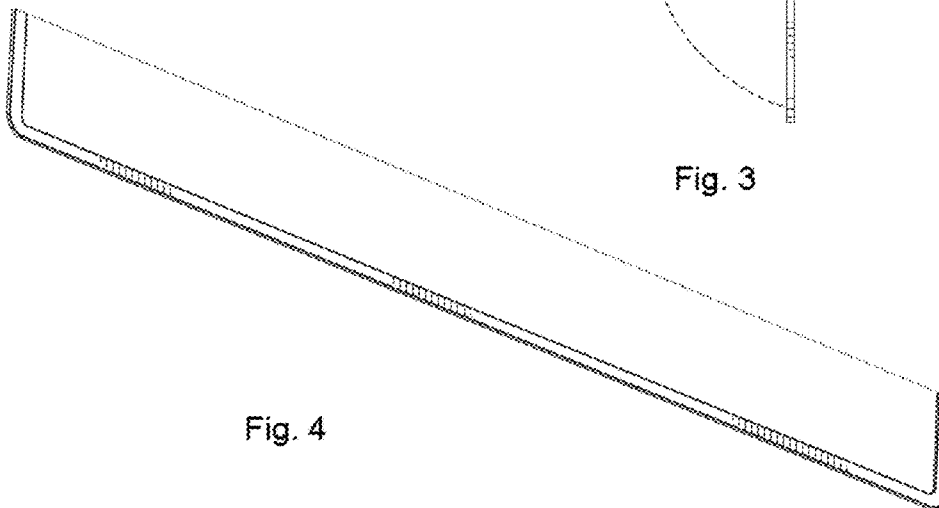


Fig. 4