



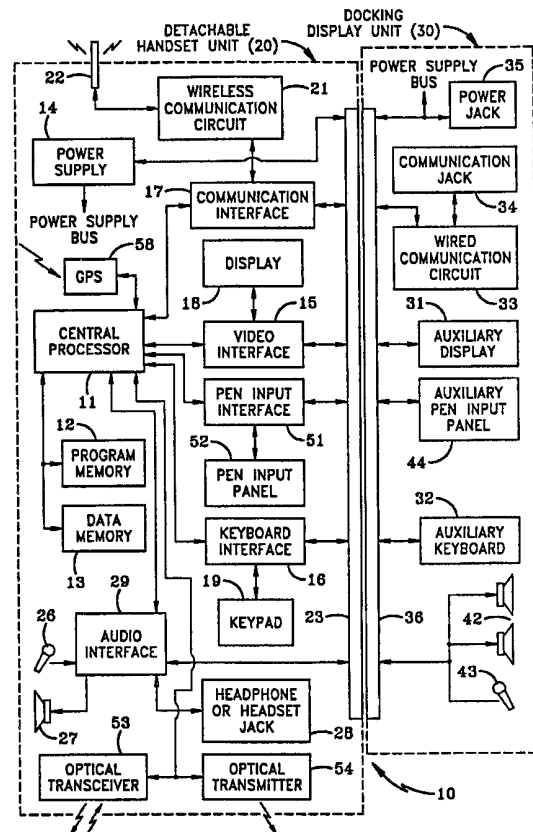
INTERNATIONAL APPLICATION PUBLISHED UNDER THE PATENT COOPERATION TREATY (PCT)

<p>(51) International Patent Classification ⁷ : G06F 7/50</p>	<p>A1</p>	<p>(11) International Publication Number: WO 00/60450</p> <p>(43) International Publication Date: 12 October 2000 (12.10.00)</p>
<p>(21) International Application Number: PCT/US00/09188</p> <p>(22) International Filing Date: 7 April 2000 (07.04.00)</p> <p>(30) Priority Data: 60/128,138 7 April 1999 (07.04.99) US</p> <p>(71) Applicant (for all designated States except US): KHYBER TECHNOLOGIES CORPORATION [US/US]; Suite 600, 3009 Smith Road, Fairlawn, OH 44333-3771 (US).</p> <p>(72) Inventor; and (75) Inventor/Applicant (for US only): KUMAR, Rajendra [US/US]; 712 Stonecliff Drive, Akron, OH 44313 (US).</p> <p>(74) Agent: ROBBINS, Howard, S.; Khyber Technologies Corporation, Suite 600, 3009 Smith Road, Fairlawn, OH 44333-3771 (US).</p>		<p>(81) Designated States: AZ, CA, CN, JP, SG, US, European patent (AT, BE, CH, CY, DE, DK, ES, FI, FR, GB, GR, IE, IT, LU, MC, NL, PT, SE).</p> <p>Published <i>With international search report.</i></p>

(54) Title: PORTABLE COMPUTING, COMMUNICATION AND ENTERTAINMENT DEVICE WITH CENTRAL PROCESSOR CARRIED IN A DETACHABLE HANDSET

(57) Abstract

A handheld device (10) for mobile computing, communication and entertainment includes a detachable handset unit (20) and a portable docking display unit (30). Detachable handset unit (20) is sized for handheld grasping and includes a processor (11) and a plurality of first circuits (12 - 19). Processor (11) controls the operation of the first circuits (12 - 19). Portable docking display unit (30) is dimensioned to receive docking of detachable handset unit (20) and includes a first display (31) and a plurality of second circuits (32, 33). Processor (11) controls the operation of at least one of the second circuits (32, 33) and the first display (31) when detachable handset unit (20) is docked with the docking display unit (30).



FOR THE PURPOSES OF INFORMATION ONLY

Codes used to identify States party to the PCT on the front pages of pamphlets publishing international applications under the PCT.

AL	Albania	ES	Spain	LS	Lesotho	SI	Slovenia
AM	Armenia	FI	Finland	LT	Lithuania	SK	Slovakia
AT	Austria	FR	France	LU	Luxembourg	SN	Senegal
AU	Australia	GA	Gabon	LV	Latvia	SZ	Swaziland
AZ	Azerbaijan	GB	United Kingdom	MC	Monaco	TD	Chad
BA	Bosnia and Herzegovina	GE	Georgia	MD	Republic of Moldova	TG	Togo
BB	Barbados	GH	Ghana	MG	Madagascar	TJ	Tajikistan
BE	Belgium	GN	Guinea	MK	The former Yugoslav Republic of Macedonia	TM	Turkmenistan
BF	Burkina Faso	GR	Greece			TR	Turkey
BG	Bulgaria	HU	Hungary	ML	Mali	TT	Trinidad and Tobago
BJ	Benin	IE	Ireland	MN	Mongolia	UA	Ukraine
BR	Brazil	IL	Israel	MR	Mauritania	UG	Uganda
BY	Belarus	IS	Iceland	MW	Malawi	US	United States of America
CA	Canada	IT	Italy	MX	Mexico	UZ	Uzbekistan
CF	Central African Republic	JP	Japan	NE	Niger	VN	Viet Nam
CG	Congo	KE	Kenya	NL	Netherlands	YU	Yugoslavia
CH	Switzerland	KG	Kyrgyzstan	NO	Norway	ZW	Zimbabwe
CI	Côte d'Ivoire	KP	Democratic People's Republic of Korea	NZ	New Zealand		
CM	Cameroon			PL	Poland		
CN	China	KR	Republic of Korea	PT	Portugal		
CU	Cuba	KZ	Kazakstan	RO	Romania		
CZ	Czech Republic	LC	Saint Lucia	RU	Russian Federation		
DE	Germany	LI	Liechtenstein	SD	Sudan		
DK	Denmark	LK	Sri Lanka	SE	Sweden		
EE	Estonia	LR	Liberia	SG	Singapore		

**PORTABLE COMPUTING, COMMUNICATION AND
ENTERTAINMENT DEVICE WITH CENTRAL PROCESSOR
CARRIED IN A DETACHABLE HANDSET**

5

REFERENCE TO COPENDING APPLICATION

This application claims the benefit of United States Provisional Application Serial No. 60/128,138 filed April 7, 1999.

10

TECHNICAL FIELD

The present invention relates in general to portable processor based devices that provide computing, communication or entertainment functionality. More particularly, the present invention pertains to portable processor based devices operable while being held in its user's hand and providing communications, organizer and/or entertainment functions, such as cellular telephones, palm-sized organizers, and MP3 players, and to portable processor based devices providing general computing capabilities, such as laptop or handheld personal computers (PCs). More specifically, the present invention relates to systems that detachably mate a plurality of portable processor based devices to provide their combined functionality in an integrated structure.

20

BACKGROUND ART

To address consumers' portable computing, mobile communications, and portable entertainment needs, a variety of portable devices have been developed. The distinctly differing requirements of each application has made it too costly and unwieldy for such devices to fulfil more than one type, or two closely related types of need.

25

For example, smart cell phones are devices that combine the capabilities of cell phones and electronic organizers. Typical of such devices are the Model PDQ-800 from Qualcomm, Incorporated of San Diego, California, and the Model R380 from Ericsson, Incorporated of Richardson, Texas. These products perform quite well as handheld computing and communication devices by allowing the user to access the

30

Internet for email, stock quote, etc., while preserving their use as simple wireless phone units. However, in order to allow handheld grasping these units had to be kept small, thereby limiting their display to a size that is too small for practical use in conventional computing such as Web browsing, word processing, etc. Also, to keep
5 the cost of such devices low, their designers employed central processors that have just enough power to carry out smart phone functions, and not enough power to handle general computing requirements.

Recently Motorola, Inc. of Schaumburg, Illinois has begun to sell its clipOn Organizer as an attachment to its StarTAC cellular telephone and provide it with
10 smart phone functionality. The clipOn Organizer and StarTAC phone have been designed to operate as individual, standalone units that each furnish its own processor and power supply. Consequently, attaching the units does not achieve the reduced size or cost desired in an integrated combination.

For portable computing, the industry provides conventional laptop computers,
15 such as those based on Pentium processors from Intel Corporation of Santa Clara, California and Windows software from Microsoft Corporation of Redmond, Washington, and mini-laptop computers, such as Microsoft WindowsCE based devices, called Handheld Personal Computers (HPCs). The industry has also furnished palm-sized devices for personal information management and organization such as the Palm Pilot
20 from 3Com Corporation of Santa Clara, California, and Microsoft WindowsCE-based palm-sized PCs.

To fulfil the portable entertainment needs of consumers, the computer industry provides digital audio players, such as the Diamond Multimedia Rio model made by
25 s3, Inc. of Santa Clara, California that plays MP3 compatible audio content downloaded from the Internet. Another portable entertainment device is the wireless system controller for home entertainment systems provided by Harman/Kardon International of Woodbury, New York.

To fulfil both mobile computing and communications needs, a mobile worker has to carry two, and sometimes three devices – a smart phone unit, an organizer, and
30 a laptop unit. Of course, if entertainment is also desired, the user must carry yet another device - the MP3 player. The user has to purchase and maintain multiple units – charging multiple sets of batteries and synchronizing data from one with that of the other. Consequently, there is a need for a device that provides a complete

solution for mobile computing, communication and entertainment without having to own and maintain multiple units.

SUMMARY OF THE INVENTION

5 It is, therefore, an object of the present invention to provide a portable processor based device for mobile computing, communication and entertainment without having to acquire and maintain multiple units. Such device works in much the same way as conventional laptop computers. However, in the current invention, the central processor, communication circuit, speaker, microphone, and power supply are carried
10 in a detachable handset. The detachable handset unit functions as a wireless phone unit. Also, by having its own display and keypad it can serve as an Internet appliance for email access and for downloading of information from the Internet, such as electronic books, audio books, digital music, etc.

 For applications requiring larger display and keyboard, the detachable handset
15 unit is docked into the main unit, the docking display unit. In this mode the detachable handset unit provides the processing and the communication power to the docking display unit. The combined unit is suitable for conventional computing such as Web browsing, word processing, and spreadsheet applications. The combined unit can also be used for reading downloaded electronic books.

20 The detachable handset unit has additional functions. It can be used as a portable digital audio player in one of two ways. First, by plugging a headphone into its jack, the user can listen to downloaded music or audio books. Second, by docking into the docking display unit, that contains larger speakers, the downloaded music or other content can be played back in much the same way as done by a standard PC or
25 a laptop computer. The detachable handset can be equipped with appointment manager software, thereby functioning as a clock radio by itself or while docked with the docking display unit.

 The detachable handset can be equipped with infrared transceiver for providing wireless optical communication with other compatible units such as those compatible
30 with IrDA standard. With suitable software the detachable handset unit can be made to function as a remote control unit for TV, VCR and other home entertainment systems and appliances. The user can pre-enter the desired program schedule once and thereafter have the detachable handset select the channels automatically.

The docking display can be mounted in a vehicle, further extending the function of the mobile computing and communication device. The detachable handset may be fitted with a Global Positioning Satellite System (GPS) capability. In that case when the detachable unit is docked in the docking display, the combined unit serves as an auto PC, giving the vehicle driver the location of the vehicle on a map on the large display in much the same way as AutoPC reference design from Microsoft, with the exception that in the current case the detachable unit is usable in a plurality of applications.

These and other objects and advantages of the present invention over existing prior art forms will become more apparent and fully understood from the following description in conjunction with the accompanying drawings.

In general, a portable computing, communication and entertainment device in accordance with the present invention includes a detachable handset unit and a portable docking display unit. The detachable handset unit is sized for handheld grasping and includes a processor and a plurality of first circuits, the processor controlling the operation of the first circuits. The portable docking display unit is dimensioned to receive docking of the detachable handset unit and includes a first display and a plurality of second circuits. The processor controls the operation of at least one of the second circuits and the first display when the detachable handset unit is docked with the docking display unit.

BRIEF DESCRIPTION OF THE DRAWINGS

Fig. 1 is a perspective view of an exemplary device in accordance with the present invention for mobile computing, communication and entertainment. This view presents a front perspective view of a detachable handset unit and a top perspective view of a clamshell shaped docking display unit having a partially open lid and base, and illustrates diagrammatically how exemplary electrical connectors in each unit may engage and mate so that the units form a single combined device.

Fig. 2 is a cross section elevational view of the exemplary device shown in Fig. 1 with the detachable handset unit mated with the docking display unit.

Fig. 3 is an exemplary block diagram of the device shown in Fig. 1.

Fig. 4 is a rear perspective view of the detachable handset unit.

Fig. 5 is a side elevational view of the device shown in Fig. 1 when mounted in

a vehicle and in an operational configuration.

PREFERRED EMBODIMENT FOR CARRYING OUT THE INVENTION

One embodiment of an exemplary device in accordance with the present invention for mobile computing, communication and entertainment, is illustrated in Figs. 1 through 4 and generally indicated by the numeral 10. Device 10 includes a detachable handset unit 20 and a docking display unit 30.

Detachable handset unit 20 includes a housing 48 with front and backsides and two opposite ends, a display 18 and a keypad 19 on the front side. Through apertures on its backside, detachable handset unit 20 carries a microphone 26 and a speaker 27 placed on opposite ends as in conventional telephone handsets. A conventional stub antenna 22 is located at the top end of the detachable handset unit 20, as found in conventional cellular phone handsets. Slots 24 and 25 are provided at the opposite ends of unit 20 to detachably mate detachable handset unit 20 and docking display unit 30, as described more fully hereinafter. An electrical connector 23 in detachable handset unit 20 enables electrical interconnection with docking display unit 30.

Docking display unit 30 includes a recessed platform 38, with an electrical connector 36, a fixed tab 39 and a movable tab 41, retractable by latch 37. To dock detachable handset unit 20 into docking display unit 30, fixed tab 39 is slid into slot 24 with the front side of detachable handset unit 20 facing platform 38. The other end of detachable handset unit 20 is brought down to have connector 23 on detachable handset unit 20 mate with connector 36 of docking display unit 30. Tab 41 is slid into slot 25 to secure detachable handset unit 20 in place.

Docking display unit 30 is shown as a clamshell style unit, including an auxiliary display 31, in the lid portion and an auxiliary keyboard 32 in the base portion, facing each other in the closed position. The lid of docking display unit 30 also contains a communication jack 34, such as a standard RJ-style telephone jack, and a power jack 35, such as an AC adapter/charger jack.

The block diagram in Fig. 3 shows detachable handset unit 20 including a central processor 11, and the circuits supported and/or controlled by it, namely program memory 12, data memory 13, power supply 14, video interface 15, keyboard interface 16, communication interface 17, pen-input interface 51, and audio interface 29. In turn, video interface 15 drives display 18, the keyboard interface 16 drives the

keypad 19, communication interface 17 drives wireless communication circuit 21, pen-input interface 51 drives the pen-input panel 52, and audio interface 29 drives microphone 26 and speaker 27, and connects to the headphone jack 28. Wireless communication circuit 21 is connected to the antenna 22. GPS receiver 58, such as
5 that supplied by SiRF Technology of San Jose, California, is also connected to central processor 11.

Detachable handset unit 20 also includes an electrical connector 23 that carries signals from the central processor 11 through video interface 15, keyboard interface 16, communication interface 17, pen-input interface 51, audio interface 29, and power
10 supply 14. Mating electrical connector 36 in docking display unit 30 connects these signals to auxiliary display 31, auxiliary keyboard 32, wired communication circuit 33, auxiliary pen-input panel 44, speakers 42 and microphone 43, and power-jack 35. Wired communication circuit 33 is connected to communication jack 34 for further
15 connection to external wired communication lines such as the public switched telephone network.

Detachable handset unit 20 may also contain an optical transmitter 54 for transmission of remote control signals to TV, VCR, etc. Alternately, it may be equipped with an optical transceiver 53 for optical communication with other compatible devices such as laptop computers, printers and network interfaces.

20 In another variation of the above embodiment the interface signals connecting the circuitry carried in detachable handset unit 20 and docking display unit 30 may be multiplexed, using conventional multiplexing circuits, in order to reduce the number of interconnect signals and hence reducing the size of connectors 23 and 36.

25 In another variation of the above embodiment, detachable handset unit 20 may contain no display at all, like conventional cordless handsets. In this case central processor 11 will still drive the auxiliary display 31 through the video interface 15, and video interface 15 may be housed in docking display unit 30, further reducing the size of detachable handset unit 20.

30 Fig. 5 shows docking display unit 30 mounted on the floor of a vehicle 70. The bottom end of a pedestal 60 is attached to the vehicle floor 70. Clamps 61 are attached to the top end of pedestal 60. Docking display unit 30 can be removably mounted on pedestal 60 by sliding into clamps 61. Alternately, docking display unit 30 may be fixed-mounted on pedestal 60 using bolts or other conventional methods.

Detachable handset unit 20 can then be docked in docking display unit 30 in the same manner as in the other applications described hereinbefore.

The ordinarily skilled artisan should now appreciate that in this way a portable computing, communication and entertainment device can be created that has a detach-
5 able handset unit. When mated with a docking display unit, the detachable handset unit becomes the controller for the entire portable computing, communication and entertainment device. The detachable handset unit is in a smaller housing that is dimensioned for handheld grasping, and is sized to be carried in a pocket like an average cell phone. The docking display unit carries an auxiliary, larger display and
10 other components. The central processor, carried in the detachable handset unit, must have enough processing power to adequately perform functions of an entire portable computing, communication and entertainment device, and not just the functions of a wireless phone. Examples of commercially available processors adequate for this task include the Intel StrongARM processor, the models SH-3 and SH-4 processors from
15 Hitachi American, Ltd. of Brisbane, California, and the model 4100 RISC processor from NEC America, Inc. of Irving, California.

As technology advances in the future, the Pentium processor from Intel, used in most laptop computers, may be used in other embodiments of the current invention. The other components used in device 10 can be similar to those employed by tradi-
20 tional computing devices, communication devices and entertainment devices. Typical of these other components are: liquid crystal displays of small and large sizes from Optrex America Inc. of Detroit, Michigan, and Seiko Instruments USA, Incorporated of Torrance, California; memory chips from Micron Technologies, Inc. of Boise, Idaho, VLSI Technologies wireless communication chips available from Philips North
25 America in Atlanta, Georgia, power supply chips from Analog Devices Inc. of Norwood, Massachusetts, and pen-input panels from MicroTouch Systems, Inc. of Methuen, Massachusetts.

Device 10 as described hereinbefore will require operating system software such as Microsoft Windows or WindowsCE. Off-the-shelf application software such as
30 Microsoft Outlook, PocketWord, etc. can be used for various tasks. Alternately, the Java software platform from Sun Microsystems, Inc. of Palo Alto, California, can be implemented in device 10. In this instance, Java applets can be downloaded into device 10 from the Internet via wireless communication circuit 21 or via wired

communication circuit 33.

Inasmuch as the present invention is subject to variations, modifications and changes in detail, some of which have been expressly stated herein, it is intended that all matter described throughout this entire specification or shown in the accompanying drawings be interpreted as illustrative and not in a limiting sense. It should thus be
5 evident that a device constructed according to the concept of the present invention, and reasonably equivalent thereto, will accomplish the objects of the present invention and otherwise substantially improve the art of devices for mobile computing, communication and entertainment.

10

CLAIMS:

- 1 1. A portable computing, communication and entertainment device comprising:
2 a detachable handset unit sized for handheld grasping and including a
3 processor and a plurality of first circuits, said processor controlling the operation
4 of said first circuits;
5 a portable docking display unit dimensioned to receive docking of said
6 detachable handset unit and including a first display and a plurality of second
7 circuits; and,
8 said processor controlling the operation of at least one of said second circuits
9 and said first display when said detachable handset unit is docked with said
10 docking display unit.
- 1 2. A device, as set forth in claim 1, wherein said processor generates control
2 signals, and said portable docking display unit includes a platform dimensioned to
3 accept docking of the detachable handset unit and a first electrical connector for
4 receiving said control signals.
- 1 3. A device, as set forth in claim 2, wherein said portable docking display unit
2 further includes a second electrical connector for removably engaging said first
3 electrical connector when said detachable handset unit and said portable docking
4 display unit are docked.
- 1 4. A device, as set forth in claim 3, wherein said detachable handset unit further
2 includes a memory, a wireless communication circuit, an audio interface circuit, a
3 first microphone, a first speaker, and a power supply.
- 1 5. A device, as set forth in claim 4, wherein said docking display unit further
2 includes a wired communication circuit and a communication jack.
- 1 6. A device, as set forth in claim 5, wherein said docking display unit further
2 includes a second speaker and a second microphone.

1 7. A device, as set forth in claim 6, wherein said docking display unit includes
2 a power jack.

1 8. A device, as set forth in claim 7, wherein said docking display unit includes a
2 first pen-input panel.

1 9. A device, as set forth in claim 8, wherein said docking display unit is
2 mounted in a vehicle.

1 10. A device, as set forth in claim 1, wherein said detachable handset unit
2 includes a second display.

1 11. A device, as set forth in claim 10, wherein said detachable handset unit
2 includes a second pen-input panel.

1 12. A device, as set forth in claim 11, wherein said detachable handset unit
2 includes a first keyboard and said docking display unit includes a second
3 keyboard.

1 13. A device, as set forth in claim 12, wherein said detachable handset unit
2 includes a jack to connect to an external headphone.

1 14. A device, as set forth in claim 13, wherein said detachable handset unit
2 includes a jack to connect to an external headset.

1 15. A device, as set forth in claim 14, wherein said detachable handset unit
2 includes at least one of an optical transmitter and an optical transceiver.

1 16. A device, as set forth in claim 15, wherein said detachable handset unit
2 includes a Global Positioning System receiver.

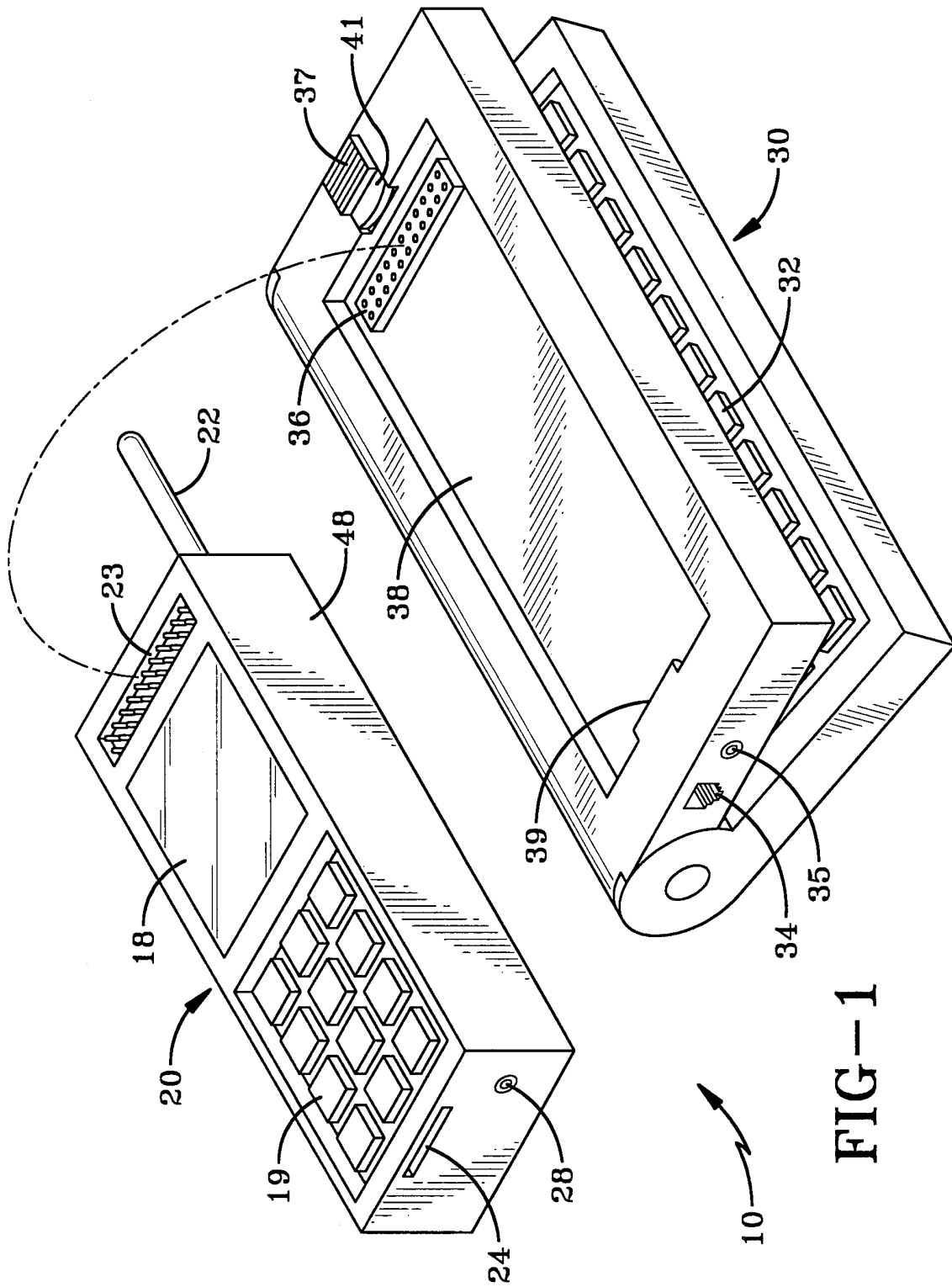
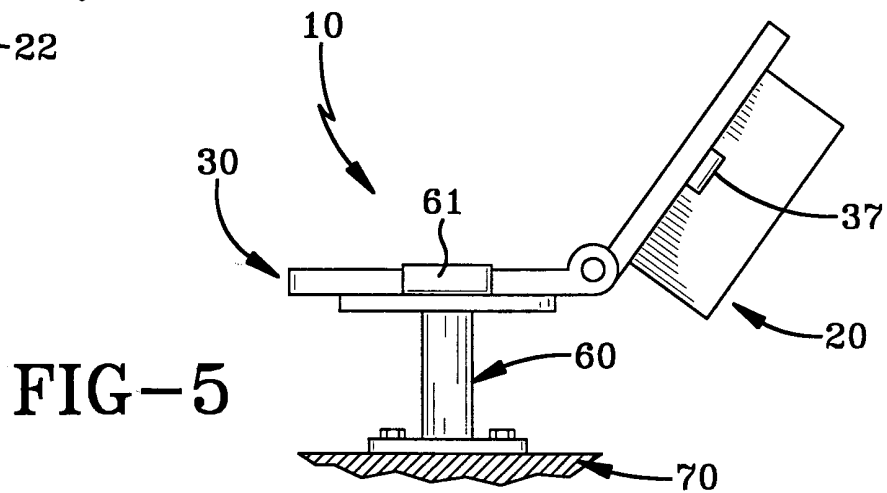
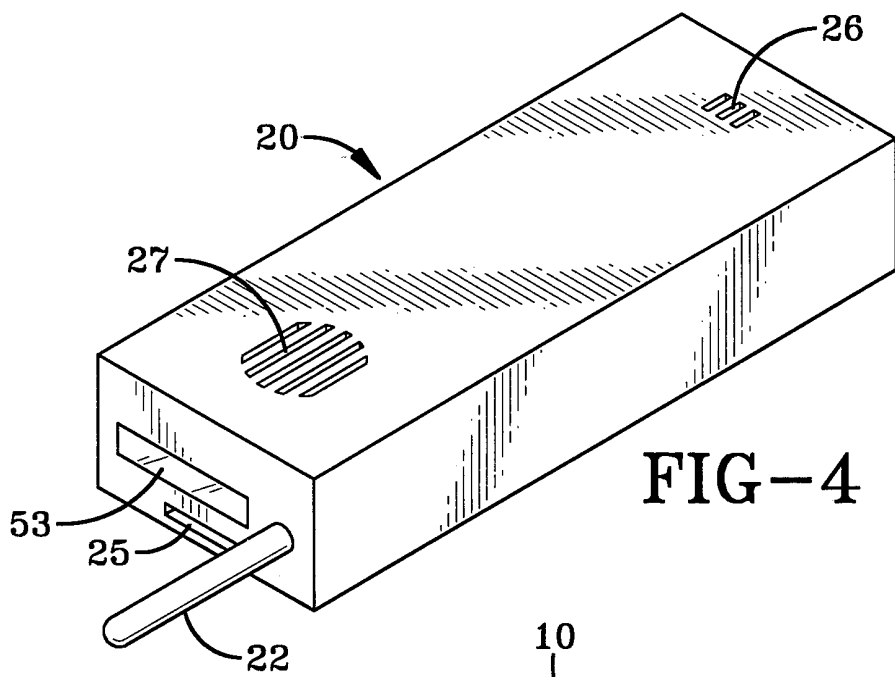
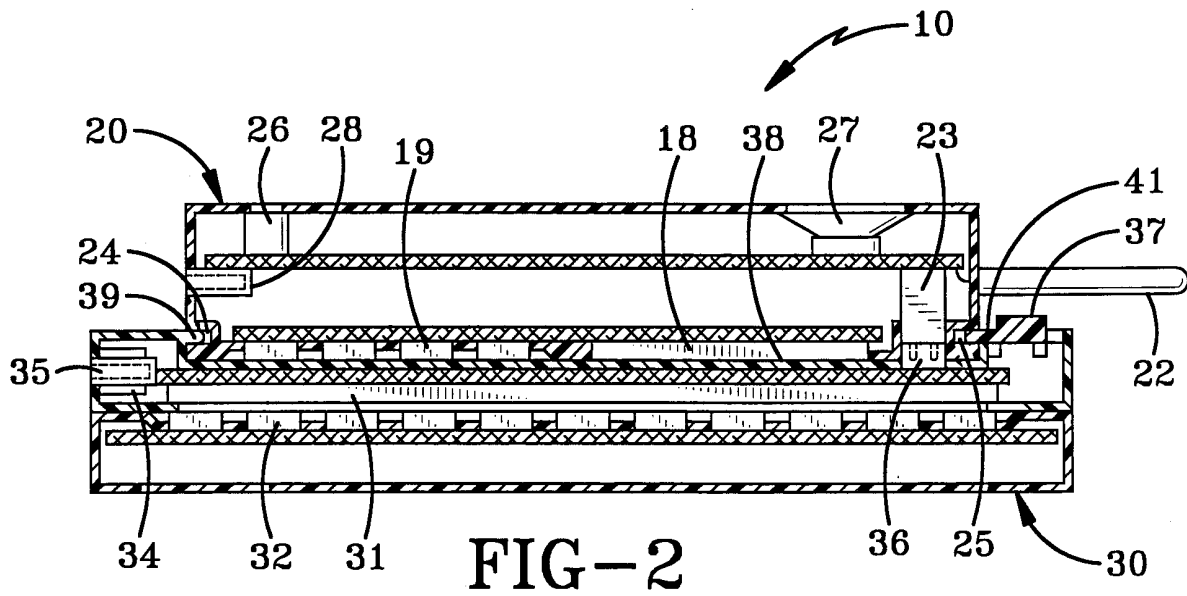


FIG-1



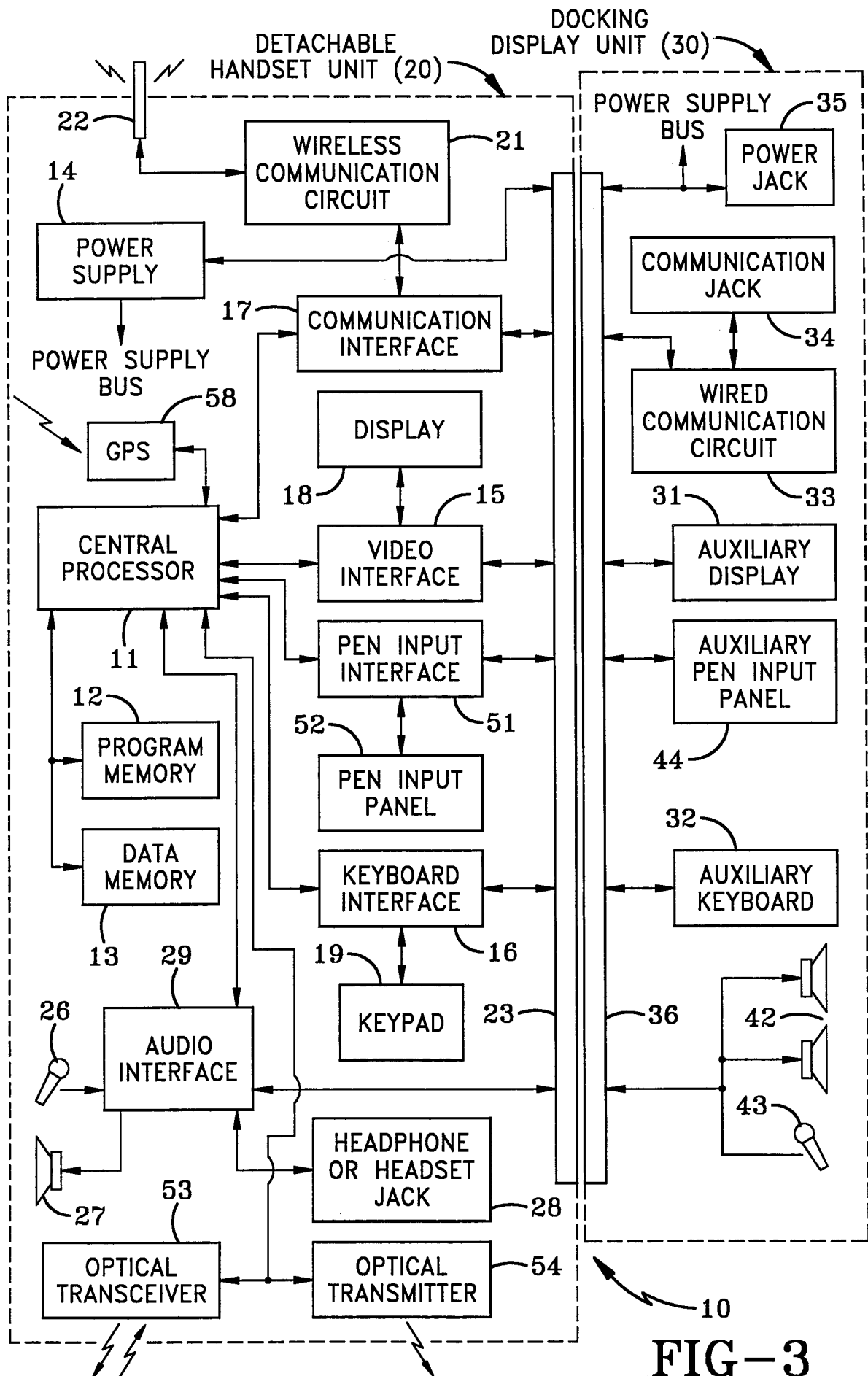


FIG-3

INTERNATIONAL SEARCH REPORT

International application No.
PCT/US00/09188

<p>A. CLASSIFICATION OF SUBJECT MATTER IPC(7) :G06F 7/50 US CL :708/109 According to International Patent Classification (IPC) or to both national classification and IPC</p>		
<p>B. FIELDS SEARCHED Minimum documentation searched (classification system followed by classification symbols) U.S. : 708/109; 379/55.1; 455/556,566,11.1,404</p>		
<p>Documentation searched other than minimum documentation to the extent that such documents are included in the fields searched</p>		
<p>Electronic data base consulted during the international search (name of data base and, where practicable, search terms used) WEST</p>		
<p>C. DOCUMENTS CONSIDERED TO BE RELEVANT</p>		
Category*	Citation of document, with indication, where appropriate, of the relevant passages	Relevant to claim No.
Y	US 5,189,632 A (PAAJANEN et al) 23 February 1993, abstract, figures 1a and 2a, col.1 lines 25-68, col.2 line 29 through col.3 line 18	1-16
Y	US 5,754,962 A (GRIFFIN) 19 May 1998, abstract, figures 1 and 2, col.2 lines 9-59	1-16
<p><input type="checkbox"/> Further documents are listed in the continuation of Box C. <input type="checkbox"/> See patent family annex.</p>		
* "A"	Special categories of cited documents: document defining the general state of the art which is not considered to be of particular relevance	"T" later document published after the international filing date or priority date and not in conflict with the application but cited to understand the principle or theory underlying the invention
"E"	earlier document published on or after the international filing date	"X" document of particular relevance; the claimed invention cannot be considered novel or cannot be considered to involve an inventive step when the document is taken alone
"L"	document which may throw doubts on priority claim(s) or which is cited to establish the publication date of another citation or other special reason (as specified)	"Y" document of particular relevance; the claimed invention cannot be considered to involve an inventive step when the document is combined with one or more other such documents, such combination being obvious to a person skilled in the art
"O"	document referring to an oral disclosure, use, exhibition or other means	"&" document member of the same patent family
"P"	document published prior to the international filing date but later than the priority date claimed	
Date of the actual completion of the international search 12 JUNE 2000		Date of mailing of the international search report 06 JUL 2000
Name and mailing address of the ISA/US Commissioner of Patents and Trademarks Box PCT Washington, D.C. 20231 Facsimile No. (703) 305-3230		Authorized officer John E. Breene <i>Fo Regina Zagan</i> Telephone No. (703) 305-9790