



US00D462519S

(12) **United States Design Patent**  
**Gaydos et al.**

(10) **Patent No.:** **US D462,519 S**

(45) **Date of Patent:** **\*\* Sep. 10, 2002**

(54) **CASE**  
(75) **Inventors:** **Mark Gaydos**, Greenfield, MA (US);  
**Stanley Lewandowski**, Shelburne Falls,  
MA (US)

(73) **Assignee:** **Hardigg Industries, Inc.**, Springfield,  
MA (US)

(\*\*) **Term:** **14 Years**

(21) **Appl. No.:** **29/146,810**  
(22) **Filed:** **Aug. 16, 2001**

(51) **LOC (7) Cl.** ..... **03-01**  
(52) **U.S. Cl.** ..... **D3/276; D3/281**  
(58) **Field of Search** ..... **D3/273, 276, 281,**  
**D3/282, 279, 294, 291; 190/100, 110, 111,**  
**109, 112, 113; 206/349, 372**

(56) **References Cited**

**U.S. PATENT DOCUMENTS**

D311,819 S \* 11/1990 Takeuchi ..... D3/292  
D353,048 S \* 12/1994 VanSkiver et al. .... D3/273

D364,957 S \* 12/1995 Turbowitz ..... D3/276  
D369,240 S \* 4/1996 Newby, Sr. .... D3/268  
D413,202 S \* 8/1999 Schmitt et al. .... D3/276  
D417,338 S \* 12/1999 Main ..... D3/276  
D429,884 S \* 8/2000 Zurwelle et al. .... D3/276  
D439,407 S \* 3/2001 Parker ..... D3/276

\* cited by examiner

*Primary Examiner*—Philip S. Hyder

(74) *Attorney, Agent, or Firm*—McCormick, Paulding &  
Huber LLP

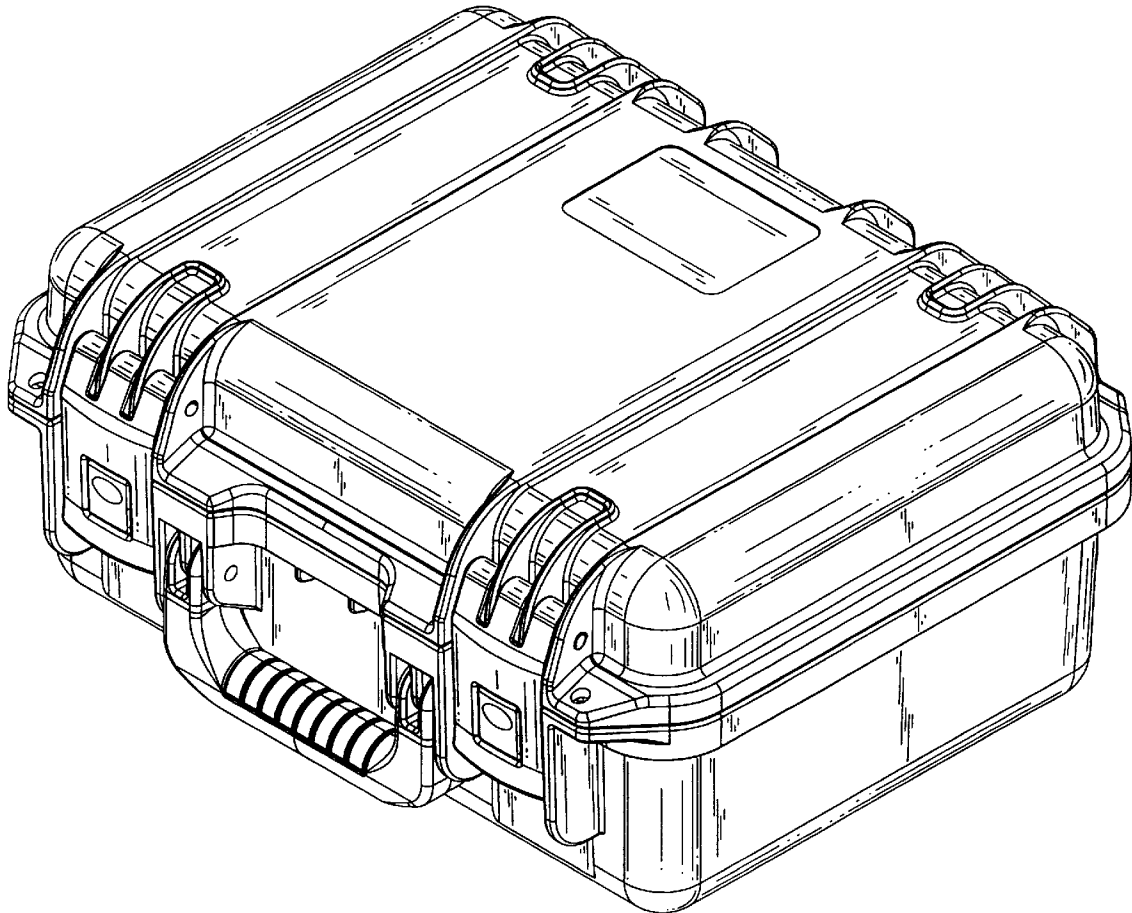
(57) **CLAIM**

The ornamental design for a case, as shown and described.

**DESCRIPTION**

FIG. 1 is a front right perspective view of a case showing the new design;  
FIG. 2 is a top plan view of the case of FIG. 1;  
FIG. 3 is a front elevation view of the case of FIG. 1;  
FIG. 4 is a rear elevation view of the case of FIG. 1;  
FIG. 5 is a left side elevation view of the case of FIG. 1; and,  
FIG. 6 is a bottom plan view of the case of FIG. 1.

**1 Claim, 4 Drawing Sheets**



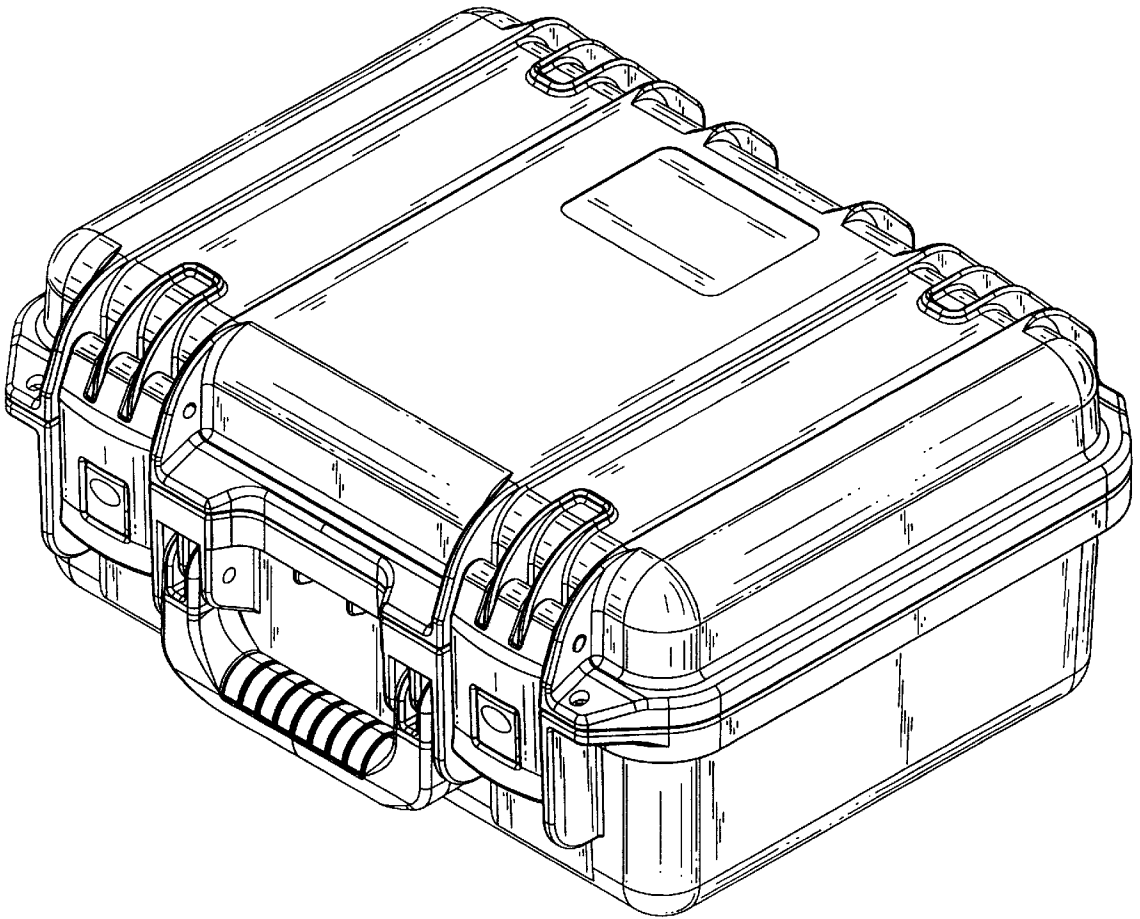


FIG. 1

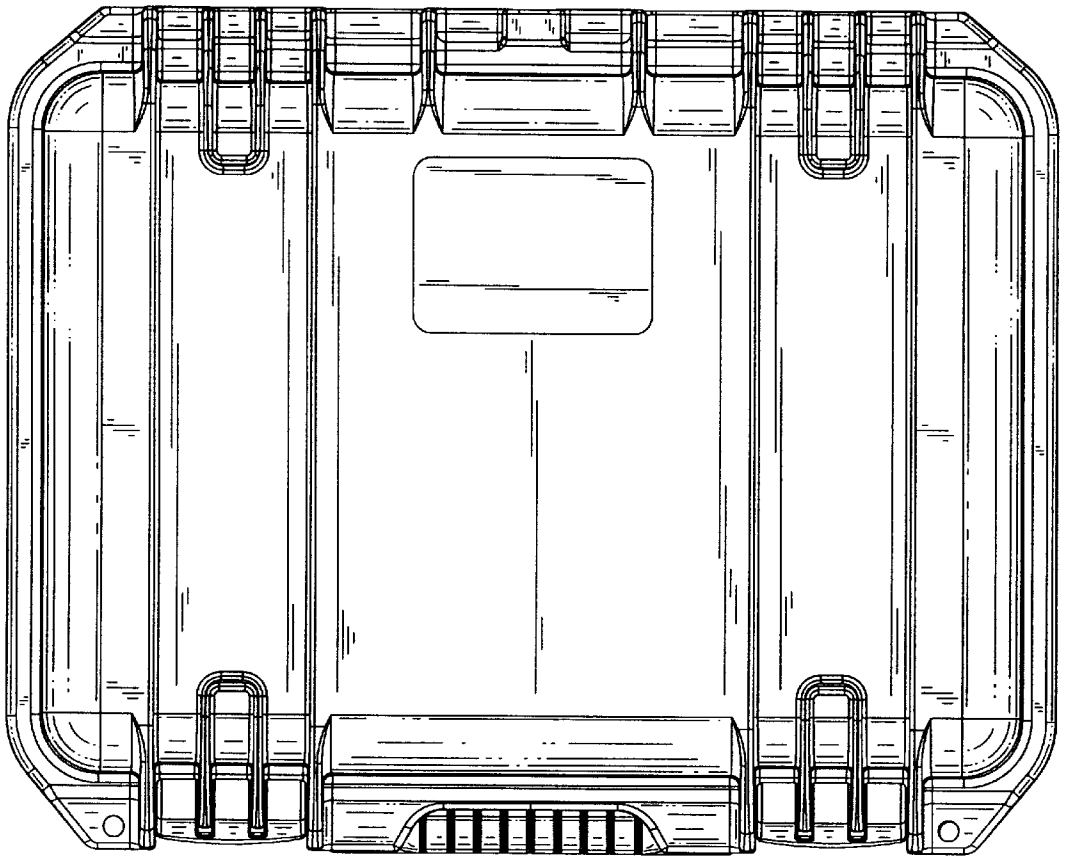


FIG. 2

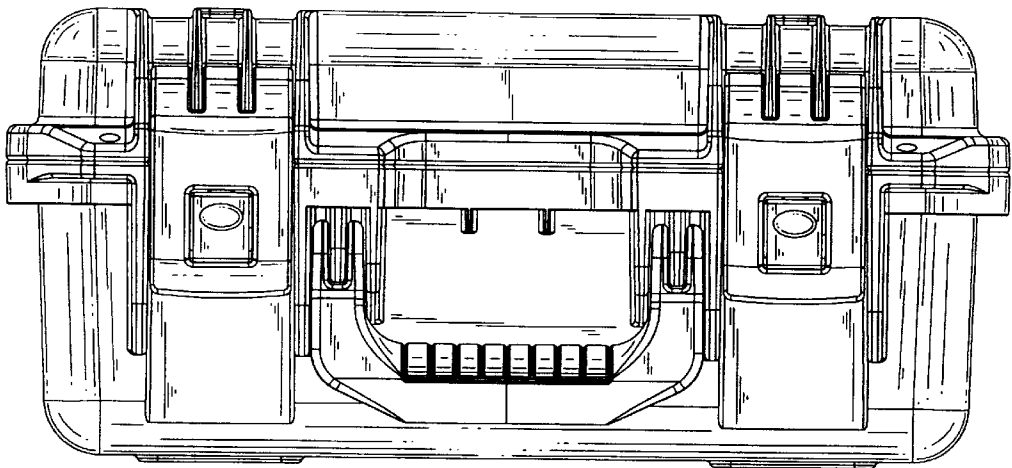


FIG. 3

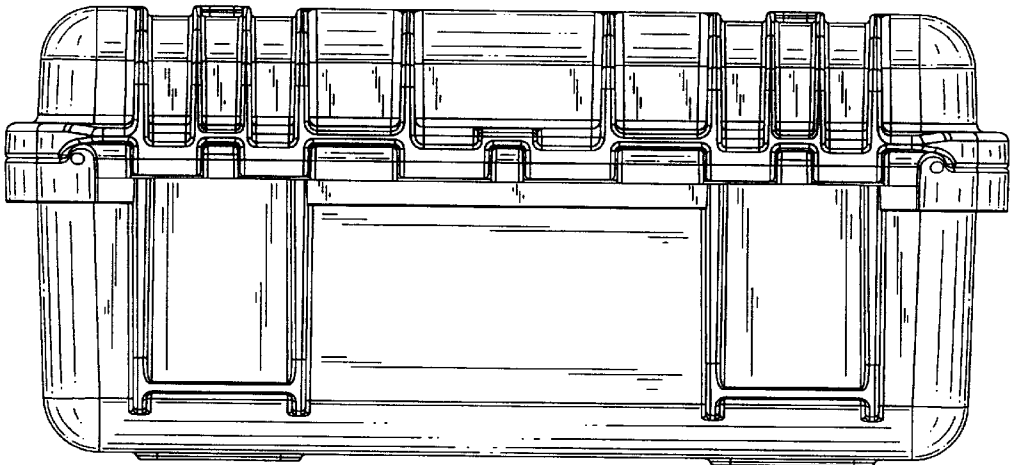


FIG. 4

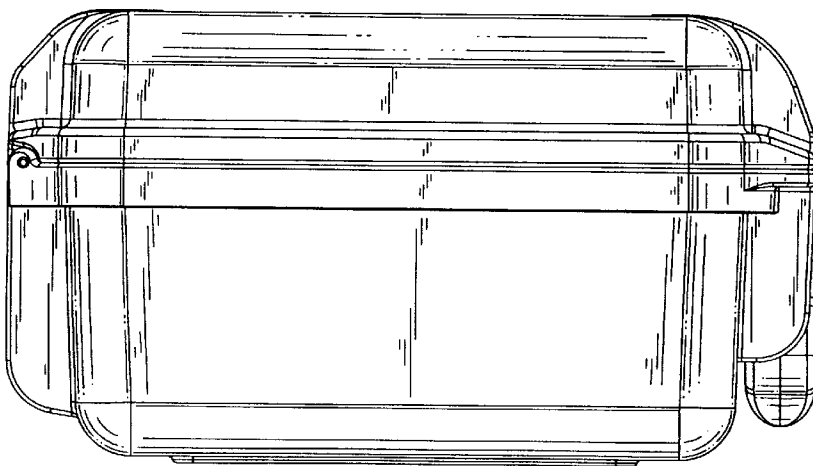


FIG. 5

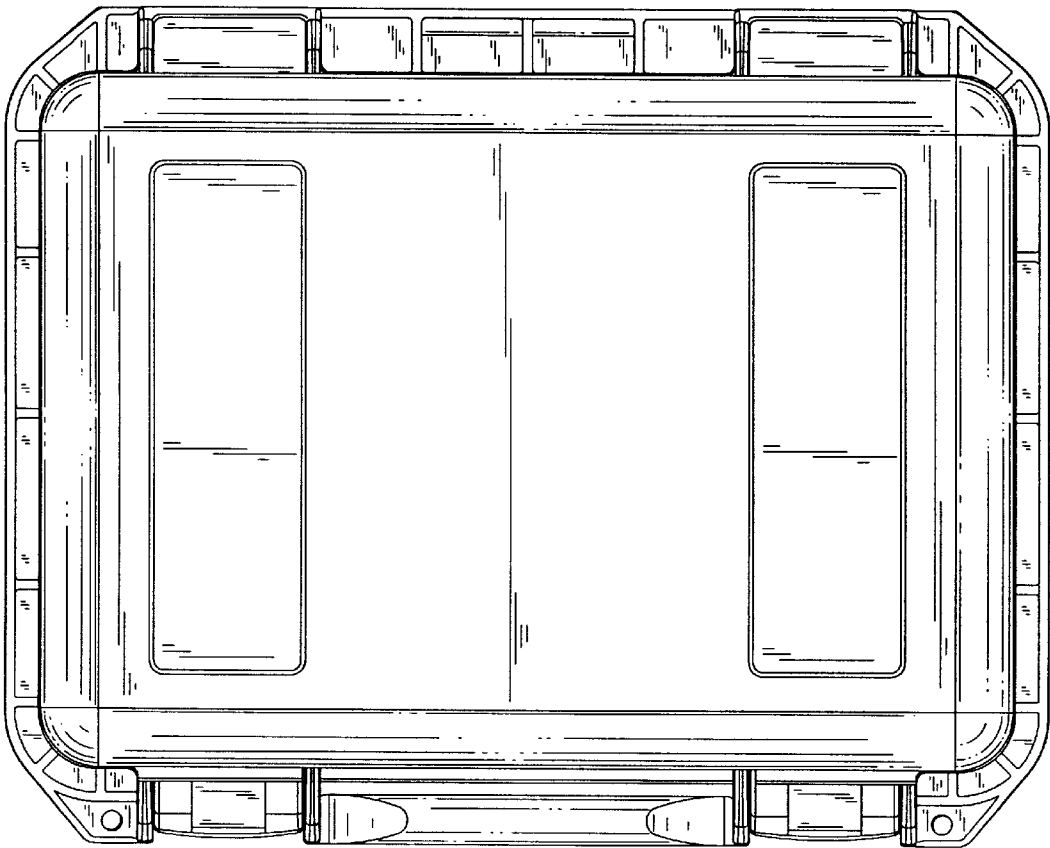


FIG. 6