



US00D585152S

(12) **United States Design Patent**
Levine

(10) **Patent No.:** **US D585,152 S**
(45) **Date of Patent:** **** Jan. 20, 2009**

(54) **LIGHTING DEVICE**

(76) Inventor: **Jonathan E. Levine**, 419 Park Ave.
South, Suite 505, New York, NY (US)
10016

(**) Term: **14 Years**

(21) Appl. No.: **29/323,012**

(22) Filed: **Aug. 15, 2008**

D290,294 S	6/1987	Sano et al.
D290,884 S	7/1987	Sano et al.
4,816,969 A	3/1989	Miller
5,012,394 A	4/1991	Woodward
D327,334 S	6/1992	Parker
D330,269 S	10/1992	Hong
D350,620 S	9/1994	Yuen
D360,049 S	7/1995	Shemitz

Related U.S. Application Data

(63) Continuation of application No. 29/281,099, filed on Jun. 14, 2007, now Pat. No. Des. 576,334.

(51) **LOC (9) Cl.** **26-03**

(52) **U.S. Cl.** **D26/76**

(58) **Field of Classification Search** D26/2,
D26/7, 24, 35, 60-63, 72, 74-79, 81-92,
D26/118, 122; D14/209-210; D23/328,
D23/372, 385; 362/105, 125, 130, 132, 147,
362/217-225, 260-263, 269, 282-283, 337,
362/364, 374, 378, 652; 43/113; 52/98

See application file for complete search history.

References Cited

U.S. PATENT DOCUMENTS

D130,059 S	3/1941	Herr	
D130,813 S	12/1941	Carter, Jr.	
2,345,235 A	3/1944	Carter, Jr.	
2,352,804 A *	7/1944	Schepmoes	362/222
2,421,967 A *	6/1947	Schepmoes	362/223
D155,488 S	10/1949	Crockett	
D163,762 S	6/1951	McCann	
2,595,520 A	5/1952	Guerin	
D175,933 S	11/1955	Crockett	
4,268,894 A *	5/1981	Bartunek et al.	362/158
D259,586 S	6/1981	Johnson	
4,449,167 A *	5/1984	Cohen	362/269
D278,461 S	4/1985	Pepall	
D283,645 S	4/1986	Tanaka	

(Continued)

Primary Examiner—Robert M Spear
Assistant Examiner—Susan E Krakower
(74) *Attorney, Agent, or Firm*—Theodore W. Baker

(57) **CLAIM**

I claim the ornamental design for a lighting device, as shown and described.

DESCRIPTION

FIG. 1 is a top and side perspective view of a lighting device according to my new design.

FIG. 2 is an end elevation view of the lighting device of FIG. 1, the opposite end view being a mirror image thereof.

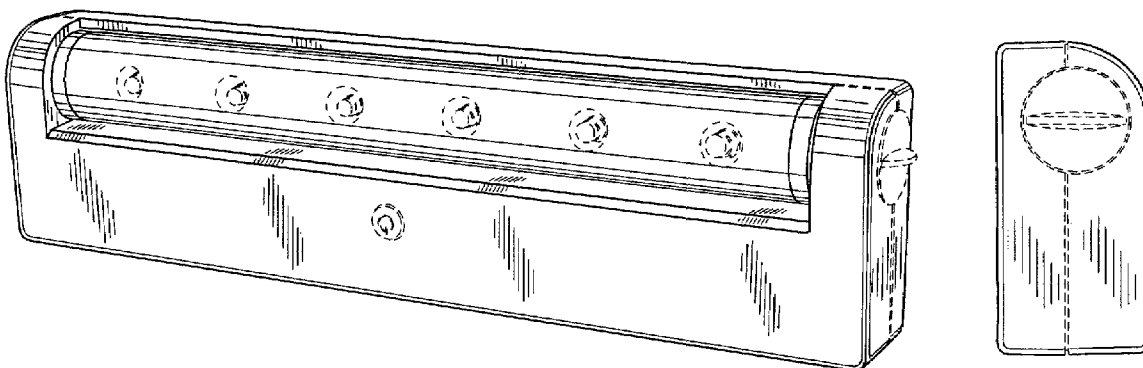
FIG. 3 is a front elevation view of the lighting device of FIG. 1.

FIG. 4 is a back elevation view of the lighting device of FIG. 1.

FIG. 5 is a top plan view of the lighting device of FIG. 1; and, FIG. 6 is a bottom plan view of the lighting device of FIG. 1.

The broken lines illustrated portions of the lighting device that form no part of the claimed design.

1 Claim, 2 Drawing Sheets



US D585,152 S

Page 2

U.S. PATENT DOCUMENTS

D377,990	S	2/1997	Nakano	D508,582	S	8/2005	Nayler et al.
D386,278	S	11/1997	Engle et al.	D521,171	S	5/2006	Skegin
5,765,939	A	6/1998	Tanner, Jr.	D522,678	S	6/2006	Wang
D397,478	S	8/1998	Booty, Jr.	D523,984	S	6/2006	Cai
D397,479	S	8/1998	Compton et al.	7,066,619	B2	6/2006	Waters
D404,159	S	1/1999	Klaus	D525,381	S	7/2006	Hodgson
D408,567	S	4/1999	Coe	D526,433	S	8/2006	Li
5,934,787	A	8/1999	Sharma	D527,131	S	8/2006	McCarthy, III
D415,304	S	10/1999	Brown	7,114,833	B1 *	10/2006	Pickett et al. 362/373
6,033,085	A *	3/2000	Bowker 362/223	D537,186	S *	2/2007	Weddell D26/80
D423,130	S	4/2000	Kung	D542,457	S	5/2007	Fisherman et al.
D432,696	S	10/2000	Ford	D549,382	S	8/2007	Lee
D440,692	S	4/2001	Janos et al.	D550,884	S	9/2007	Tufano et al.
D443,096	S *	5/2001	Echito D26/76	7,270,443	B2	9/2007	Kurtz et al.
D446,877	S	8/2001	Lester	D557,442	S *	12/2007	Niemier D26/85
D449,402	S *	10/2001	Echito D26/76	D561,925	S	2/2008	Levine
D456,546	S	4/2002	Bernard	D563,013	S *	2/2008	Levine D26/63
6,390,652	B1	5/2002	Echito	D563,014	S *	2/2008	Levine D26/63
6,406,161	B1	6/2002	Lin et al.	D563,582	S	3/2008	Levine
D464,162	S	10/2002	Segretto	D565,774	S *	4/2008	Martineau D26/72
D469,560	S	1/2003	Nayler et al.	D565,785	S *	4/2008	Kerr D26/113
D470,262	S	2/2003	Yiu	7,360,916	B2 *	4/2008	Sanborn et al. 362/133
6,536,924	B2	3/2003	Segretto	D576,334	S *	9/2008	Levine D26/76
D476,106	S	6/2003	Kim	2001/0009511	A1	7/2001	Griffiths
6,588,920	B2	7/2003	Agro	2002/0083639	A1 *	7/2002	Perry 43/114
6,755,551	B2 *	6/2004	Soorus et al. 362/221	2002/0145876	A1	10/2002	Juang
6,827,465	B2	12/2004	Shemitz et al.	2005/0007778	A1 *	1/2005	Lin 362/250
6,877,875	B2	4/2005	Yu et al.	2006/0256584	A1	11/2006	Paoluccio

* cited by examiner

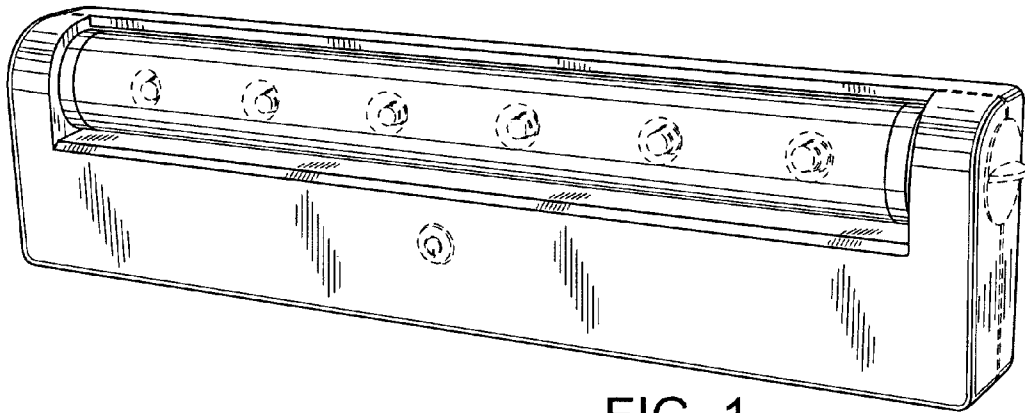


FIG. 1

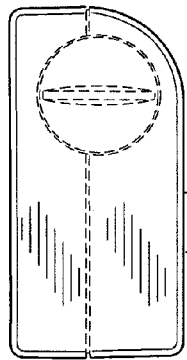


FIG. 2

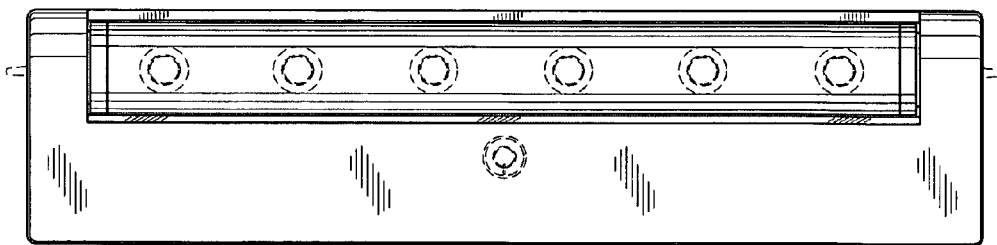


FIG. 3

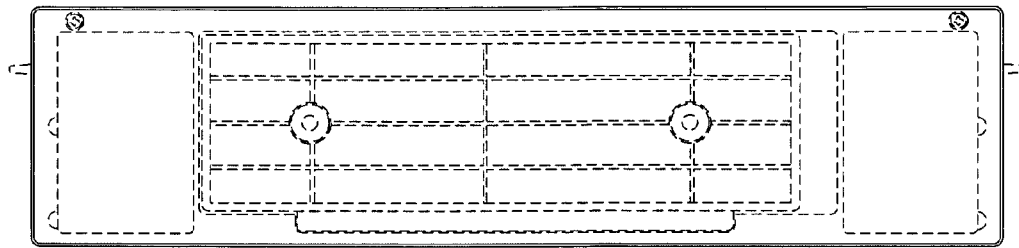


FIG. 4

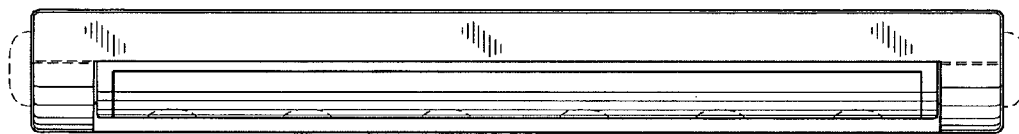


FIG. 5



FIG. 6