

(12) INTERNATIONAL APPLICATION PUBLISHED UNDER THE PATENT COOPERATION TREATY (PCT)

(19) World Intellectual Property Organization
International Bureau



(43) International Publication Date
30 December 2009 (30.12.2009)

PCT

(10) International Publication Number
WO 2009/155934 A1

- (51) International Patent Classification:
B66C 17/00 (2006.01) *F03D 1/00* (2006.01)
- (21) International Application Number:
PCT/DK2009/050146
- (22) International Filing Date:
26 June 2009 (26.06.2009)
- (25) Filing Language: English
- (26) Publication Language: English
- (30) Priority Data:
PA200800889 27 June 2008 (27.06.2008) DK
61/133,323 27 June 2008 (27.06.2008) US
- (71) Applicant (for all designated States except US): **VES-TAS WIND SYSTEMS US** [DK/DK]; Alsvej 21, DK-8940 Randers SV (DK).
- (72) Inventors; and
- (75) Inventors/Applicants (for US only): **KAPPEL, Lars Vinther** [DK/DK]; Søndre Ringgade 79, 4.th., DK-8000 Århus C (DK). **CHRISTENSEN, Michael** [DK/DK]; Stjærten 20, DK-8800 Viborg (DK).
- (74) Agent: **Hoffmann Dragsted ApS**; Rådhuspladsen 16, DK-1550 Copenhagen V (DK).
- (81) Designated States (unless otherwise indicated, for every kind of national protection available): AE, AG, AL, AM, AO, AT, AU, AZ, BA, BB, BG, BH, BR, BW, BY, BZ,

CA, CH, CL, CN, CO, CR, CU, CZ, DE, DK, DM, DO, DZ, EC, EE, EG, ES, FI, GB, GD, GE, GH, GM, GT, HN, HR, HU, ID, IL, IN, IS, JP, KE, KG, KM, KN, KP, KR, KZ, LA, LC, LK, LR, LS, LT, LU, LY, MA, MD, ME, MG, MK, MN, MW, MX, MY, MZ, NA, NG, NI, NO, NZ, OM, PE, PG, PH, PL, PT, RO, RS, RU, SC, SD, SE, SG, SK, SL, SM, ST, SV, SY, TJ, TM, TN, TR, TT, TZ, UA, UG, US, UZ, VC, VN, ZA, ZM, ZW.

- (84) Designated States (unless otherwise indicated, for every kind of regional protection available): ARIPO (BW, GH, GM, KE, LS, MW, MZ, NA, SD, SL, SZ, TZ, UG, ZM, ZW), Eurasian (AM, AZ, BY, KG, KZ, MD, RU, TJ, TM), European (AT, BE, BG, CH, CY, CZ, DE, DK, EE, ES, FI, FR, GB, GR, HR, HU, IE, IS, IT, LT, LU, LV, MC, MK, MT, NL, NO, PL, PT, RO, SE, SI, SK, TR), OAPI (BF, BJ, CF, CG, CI, CM, GA, GN, GQ, GW, ML, MR, NE, SN, TD, TG).

Declarations under Rule 4.17:

- as to applicant's entitlement to apply for and be granted a patent (Rule 4.17(ii))

Published:

- with international search report (Art. 21(3))
- before the expiration of the time limit for amending the claims and to be republished in the event of receipt of amendments (Rule 48.2(h))



WO 2009/155934 A1

(54) Title: A NACELLE TRAVELLING CRANE

(57) Abstract: The present invention relates to an overhead travelling crane (2) for a nacelle (1) of a wind turbine, said travelling crane comprising at least a first suspension beam(3); a second suspension beam(4), said suspension beams being arranged with a space between them; a cross beam (5), said cross beam being movably connected to said first and second suspension beams so that the cross beam can be moved along the suspension beams; and at least one lifting device (6), said lifting device being movably connected to the cross beam. Said first and second suspension beams are parts of concentric circles, said -concentric circles sharing the same centre and having different radii. The cross beam may be inclined.

A NACELLE TRAVELLING CRANE

Technical field of the invention

The present invention relates to an overhead travelling crane for a nacelle of a
5 wind turbine. The invention also relates to a wind turbine.

Background art

The nacelle of a wind turbine is a confined area which comprises several heavy
wind turbine components, such as gears, shafts, generators, etc., which from
10 time to time need maintenance, repair, or even replacement, wherefore internal
lifting equipments are arranged in connection with the nacelle for supporting said
handling.

For instance an internal travelling crane is known in the prior art. The crane
15 consists of two suspension rails, which are connected to the nacelle. In relation to
the rails, a movable cross beam is arranged, and a hoisting device is arranged
movably on the cross beam. The two suspension rails are arranged at each end
of the nacelle so that they are parallel in relation to each other. Accordingly, the
cross beam extends between and is movably coupled to the two suspension rails
20 so that the cross beam can be moved along a longitudinal extension of the
suspension rails.

Often the nacelle is not completely rectangular in shape, whereby some of the
area below the crane is not covered by the crane, and thereby the handling of
25 the equipment in these areas is difficult. In the prior art, this is partly solved by
the cross beam being rotatable about a vertical axis of the movable couplings to
the suspension rails so that the cross beam can extend between the suspension
rails in an angle different from 90 degrees. However, since the necessary length
of the cross beam may vary according to the extension angle, the cross beam is
30 arranged displaceable in one of the movable couplings. This has the consequence
that space has to be arranged on the opposite side of one of the suspension rails
so that the cross beam can extend beyond the suspension rail when the cross
beam is placed in the shortest distance between the two suspension rails,
whereby some of the areas in the nacelle are not covered by the crane.

35

Also, since the above-mentioned cross beam is displaceable and is rotatable
about vertical axis of the movable couplings to the suspension rails, it has been

observed that during use of the crane and especially in circumstances wherein the cross beam extends with an angle different from 90 degrees as well as being exerted for load, the cross beam may have a tendency for tilting whereby the movable couplings also may be exerted with unintended forces which may have
5 the disadvantages that the movable couplings cannot move along the suspension rails as intended. This reduces the reliability of the crane.

It is furthermore known to have a crane structure wherein one suspension beam is curved and the other suspension is a linear beam. The cross beam is in this
10 known crane structure movably connected to the curved suspension beam and is stationary, hingedly connected to the linear beam and is adapted to rotate about said hinge. Since the cross beam is stationary, hingedly connected to the linear beam, the crane structure has the disadvantage that it does not cover the entire area of the nacelle.

15

Summary of the invention

An object of the present invention is to wholly or partly overcome the above disadvantages and drawbacks of the prior art. More specifically, it is an object to provide a simple overhead travelling crane which easily may be incorporated in
20 existing and new nacelles.

It is also an object of the present invention to provide an overhead travelling crane which has a simple construction and is reliable during use and while exerted with loads.

25

Another object of the present invention is to provide an overhead travelling crane which is flexible and which can cover substantially the entire area of the nacelle.

A further object of the present invention is to provide an overhead travelling
30 crane which has a small overall height.

The above objects, together with numerous other objects, advantages and features, which will become evident from the below description, are accomplished by a solution in accordance with the present invention by said travelling crane
35 comprising at least a first suspension, a second suspension beam, said suspension beams being arranged with a space between them, a cross beam, said cross beam being movably connected to said first and second suspension

beams so that the cross beam can be moved along the suspension beams, and at least one lifting device, said lifting device being movably connected to the cross beam, wherein said first and second suspension beams are parts of concentric circles, said concentric circles sharing the same centre and having different radii.

5

The matter is that the parts of concentric circles share the same centre and have different radii. Hereby, at anytime during its movement along the beams, the cross beam will be perpendicular to both of the suspension beams, whereby the tendency of the cross beam to tilt and thereby to exert unintended forces to the
10 movable connections between the suspension beams and the cross beam substantially is avoided. Also, the use of displaceable arrangements for the cross beam as well as the use of rotatable, movable couplings between the suspension beams and the cross beam are avoided. Furthermore, it is obtained that the travelling crane substantially may cover the entire area of the nacelle which
15 provides flexible internal crane solution to the nacelle, which at the same time is reliable during use.

In an aspect of the present invention, the radius of the part of the circle of the second suspension beam may be larger than the radius of the part of the circle of
20 the first suspension beam. The lengths of the radii of the concentric circles may advantageously be optimized in view of the size of the nacelle so that it is secured that the cross beam can be moved perpendicularly to the suspension beams.

25 In an aspect of the present invention, the suspension beams may be connected to a top part of the nacelle. Hereby it is obtained that the crane of the present invention can be placed as close to the top of the nacelle as possible whereby as much as possible of the headroom in the nacelle may be used for lifting height. The suspension beams may be connected in either an underhung or overhung
30 manner in relation to the top part of the nacelle. The term "top part" is in this context to be construed as the roof or top of the nacelle, or the top sides of the nacelle.

In an aspect of the present invention, a first longitudinal extension of the first
35 suspension beam may be smaller than a second longitudinal extension of the second suspension beam. This is expedient when the nacelle is not of a

rectangular configuration, so that the travelling crane of the present invention can be optimized to cover the largest possible area of the nacelle.

5 In an aspect of the present invention, the first suspension beam may be arranged in a vertical height different from the second suspension beam so that the cross beam has an inclined extension. This is expedient when the nacelle has a slanting roof or top, so that the travelling crane of the present invention can be placed as close to the top of the nacelle as possible whereby as much as possible of the headroom in the nacelle may be used for lifting.

10

In an aspect of the present invention, braking means may be arranged in relation to the lifting device and the cross beam and/or the cross beam and the suspension beams. Especially, when the cross beam is inclined due to the suspension beams being arranged at different heights, it is advantageous to have 15 braking means arranged for controlling the movement of the lifting device along the cross beam.

In an aspect of the present invention, a plurality of cross beams may be arranged adjacent to each other and may be movably connected to the suspension beams. 20 Hereby it is obtained that the travelling crane may operate more flexibly in the entire area of the nacelle. The plurality of cross beams may for instance cooperate in a common lifting assignment or they may be used separately for individual lifting assignments, so that more separate parts of the nacelle may be lifted at the same time.

25

In an aspect of the present invention, a plurality of lifting devices may be movably connected to the cross beam(s). Hereby it is obtained that the travelling crane may operate more flexible in the entire area of the nacelle. The plurality of lifting devices may for instance cooperate in a common lifting assignment or they 30 may be used separately for individual lifting assignments, so that more separate parts of the nacelle may be lifted at the same time.

In an aspect of the present invention, a third suspension beam may be arranged at a distance from the first suspension beam in the space between the first and 35 the second suspension beams, the cross beam being movably connected to said third suspension beam. Hereby it is obtained that the cross beam is additionally suspended as well as supported, whereby the lifting capacity of the travelling

crane may be increased. Within the wind turbine technology, there is a tendency that that the capacities as well as the sizes of the wind turbines increase and as the wind turbines are becoming larger, the sizes as well as weights of the parts placed in the nacelle also increase, whereby the third suspension beam may
5 facilitate lifting of the parts in the nacelle. Advantageously, the third suspension beam is as well a part of the concentric circles as the suspension beams, sharing the same centre but having different radius in relation to the radiuses of the first and second suspension beams. The placement of the third suspension beam and the distance from first suspension beam, and thereby the additional support of
10 the crane, may be chosen in view of the load distribution in the nacelle.

The present invention also relates to a wind turbine comprising an overhead travelling crane according to any of the above-mentioned features.

15 Brief description of the drawings

The invention and its many advantages will be described in more detail below with reference to the accompanying schematic drawings, which for the purpose of illustration show some non-limiting embodiments and in which

20 Fig. 1 shows a nacelle of a wind turbine, wherein an overhead travelling crane is arranged,

Fig. 2 shows an embodiment of the travelling crane in a perspective view,

25 Fig. 3 shows the travelling crane of Fig. 2 in a top view,

Fig. 4 shows a part of the travelling crane of Fig. 2, wherein the movable connection between the cross beam and the first suspension beam is shown in a perspective view,

30

Fig. 5 shows the movable connection of Fig. 4 in a top view,

Fig. 6 shows a part of the travelling crane of Fig. 2, wherein the movable connection between the cross beam and the second suspension beam is shown in
35 a perspective view,

Fig. 7 shows another embodiment of the travelling crane in a perspective view,

Fig. 8 shows the travelling crane of Fig. 7 in a top view,

Fig. 9 shows a part of the travelling crane of Fig. 7, wherein the movable
5 connection between the cross beam and the first suspension beam is shown in a perspective view,

Fig. 10 shows the part of the travelling crane of Fig. 7, wherein the movable
10 connection between the cross beam and the second suspension beam is shown in a perspective view, and

Fig. 11 shows the travelling crane of Fig. 7 in a side view.

All the figures are highly schematic and not necessarily to scale, and they show
15 only parts which are necessary in order to elucidate the invention, other parts being omitted or merely suggested.

Description of preferred embodiments

In Fig. 1, a nacelle 1 of a wind turbine (not shown) is shown in a perspective
20 view. At the top of the nacelle 1, an overhead travelling crane 2 is shown mounted internally in the nacelle 1. The travelling crane 2 comprises in this embodiment a first suspension beam 3, having a first longitudinal extension, and a second suspension beam 4, having a second longitudinal extension, said suspension beams 3, 4 being arranged with a space between them. Furthermore,
25 a cross beam 5 is movably connected to said first 3 and second 4 suspension beams so that the cross beam 5 can be moved along the first and second longitudinal extensions of the suspension end beams 3, 4. Also, a lifting device 6 is movably connected to the cross beam 5. According to the invention, the first and second longitudinal extensions of the suspension beams 3, 4 are parts of
30 concentric circles (not shown).

The nacelle 1 shown in Fig. 1 has a slanting roof or top 7, whereby the first suspension beam 3 is placed below the second suspension beam 4 so that the cross beam slopes. In the other not shown embodiments the cross beam may
35 slope from the first beam towards the second beam, and in yet another not shown embodiment the cross beam may be horizontal.

In Fig. 2, an embodiment of the overhead travelling crane 2 is shown. In this embodiment, the first and second suspension beams 3, 4 are made by an inverted T-profile. At each end of the suspension beams 3, 4, connection means 8 are arranged for connecting the travelling crane 2 directly to the nacelle or indirectly via an intermediate support structure (not shown). The connection means 8 are in this embodiment flat iron, which either is bolted or welded to the suspension beams so that the travelling crane 2 substantially may be connected to the top of the nacelle without any space between the nacelle and the crane. Hereby the use of the height of the inside of the nacelle is optimised. The cross beam 5 is in this embodiment an I-profile and is movably connected the suspension beams 3, 4 from below, which will be further described in connection with Figs. 4 to 6 below.

In Fig. 3, the travelling crane 2 of Fig. 2 is shown in a top view. From this view, it is seen that the first suspension beam 3 and the second suspension beam 4 are parts of concentric circles, said circles sharing the same centre and having different radii. It is hereby obtained that the cross beam 5, when it moves along the suspension beams 3, 4, substantially, always is perpendicular to both suspension beams 3, 4.

In Fig. 4, a part of the travelling crane of Fig. 2, wherein the movable connection 9 between the cross beam 5 and the first suspension beam 3 is shown in a perspective view. The movable connection 9 is in this embodiment shown in the form of carriage having three wheels 10, said wheels being distributed with two on the one side of the first suspension beam 3 and one on the other side. The two wheels are placed towards the cross beam 5. In this embodiment, the cross beam 5 is connected to the suspension beams from below so that the overall height of the travelling crane is minimized. In Fig. 5, the movable connection 9 is shown in a top view. From this figure, it is seen that the wheels 10 roll along the suspension beam 3 on the flange of the inverted T-profile. Fig. 6 shows the movable connection 9 between the cross beam 5 and the second suspension beam 4.

In Figs. 7 to 11, another embodiment of the travelling crane 2 is shown. In this embodiment, the suspension beams 3, 4 are also made of inverted T-profiles. The cross beam 5 comprises in this embodiment two connected inverted T-profiles, c.f. Fig. 9. The cross beam 5 has at its first end 11 one wheel 10 and at

the second end 12 two wheels 10. The wheels 10 are arranged with circumferential grooves, which are adapted to engage to the body of the inverted T-profile of the suspension beam 3, 4 from above. Since the cross beam 5 in this embodiment is movably connected to the suspension beams from above the connection means 8 have an extension, so that the crane 2 when mounted in the nacelle is lowered from the top of the nacelle.

The lifting device (not shown) is in this embodiment movably connected to the cross beam 5 via a wagon 13. The wagon 13 comprises 4 wheels, which are formed in the same manner as described above and thereby are adapted to engage with the bodies of the two inverted T-profiles of the cross beam 5.

In Fig. 8, the travelling crane is shown in a top view.

In Fig. 9, the movable connection 9 between the cross beam 5 and the first suspension beam 3 is shown. In this embodiment, the cross beam 5 comprises one wheel. In Fig. 10, the movable connection 9 between the cross beam 5 and the second suspension beam 4, which has two wheels is shown.

Fig. 11 shows the travelling crane of Fig. 7 in a side view. In this embodiment the wagon 13 is movably connected to the cross beam 5 from above.

Although the invention above has been described in connection with preferred embodiments of the invention, it will be evident for a person skilled in the art that several modifications are conceivable without departing from the invention as defined by the following claims.

Claims

1. An overhead travelling crane for a nacelle of a wind turbine, said travelling crane comprising at least a first suspension beam, a second suspension beam,
5 said suspension beams being arranged with a space between them, a cross beam, said cross beam being movably connected to said first and second suspension beams so that the cross beam can be moved along the suspension beams; and at least one lifting device, said lifting device being movably connected to the cross beam, wherein said first and second suspension beams
10 are parts of concentric circles, said concentric circles sharing the same centre and having different radii.
2. An overhead travelling crane according to claim 1, wherein the radius of the part of the circle of the second suspension beam is larger than the radius of the
15 part of the circle of the first suspension beam.
3. An overhead travelling crane according to any one of the preceding claims, wherein the suspension beams are connected to a top part of the nacelle.
- 20 4. An overhead travelling crane according to any one of the preceding claims, wherein a longitudinal extension of the first suspension beam is smaller than a second longitudinal extension of the second suspension beam.
5. An overhead travelling crane according to any one of the preceding claims,
25 wherein the first suspension beam is arranged in a vertical height different from the second suspension beam so that the cross beam has an inclined extension.
6. An overhead travelling crane according to claim 1 or claim 5, wherein braking means are arranged in relation to the lifting device and the cross beam
30 and/or the cross beam and the suspension beams.
7. An overhead travelling crane according to any one of the preceding claims, wherein a plurality of cross beams are arranged adjacent to each other and are movably connected to the suspension beams.
35
8. An overhead travelling crane according to claim 1 or claim 7, wherein a plurality of lifting devices are movably connected to the cross beam(s).

9. An overhead travelling crane according to any one of the preceding claims, wherein a third suspension beam is arranged at a distance from the first suspension beam in the space between the first and the second suspension beams, the cross beam being movably connected to said third suspension beam.
- 5
10. A wind turbine comprising an overhead travelling crane according to any of the claims 1 to 9.

1/5

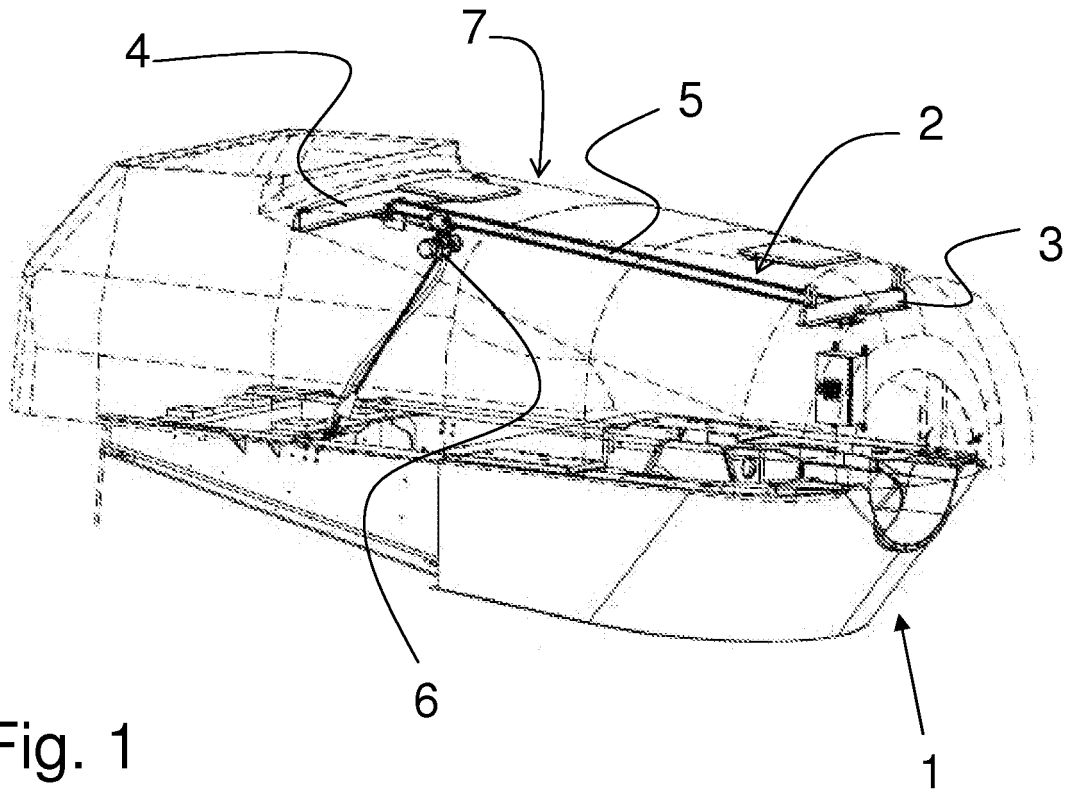


Fig. 1

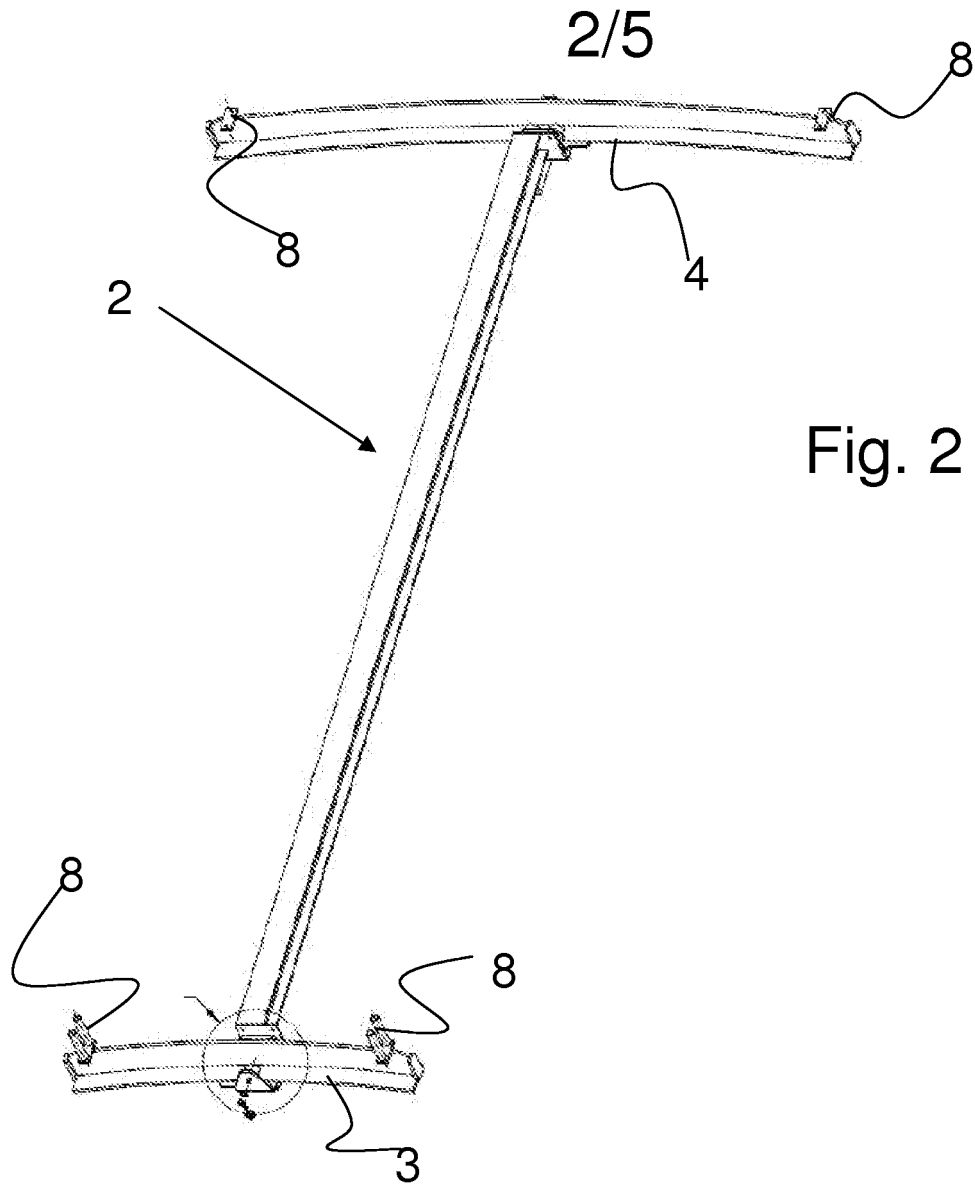


Fig. 2

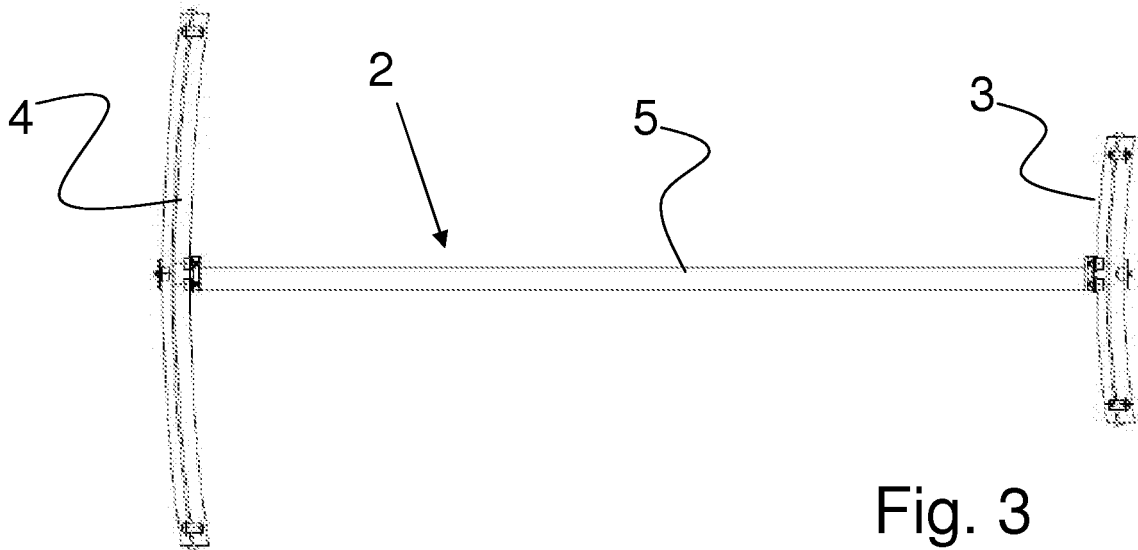


Fig. 3

3/5

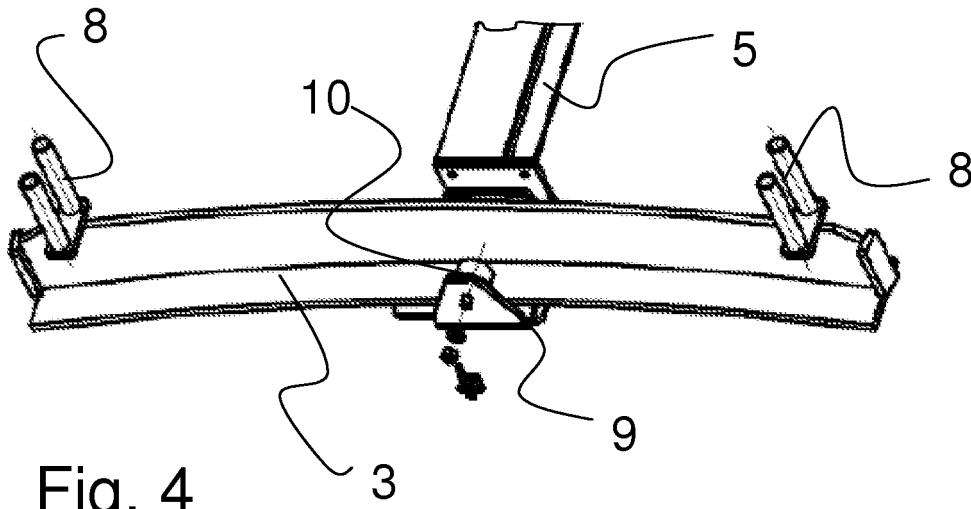


Fig. 4

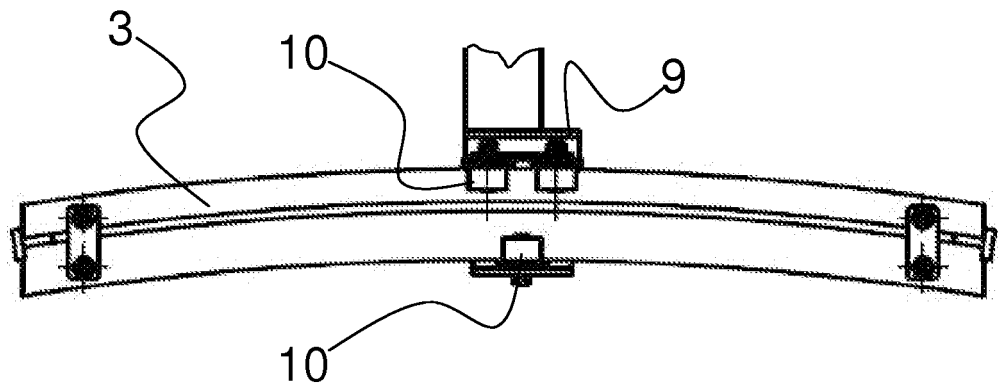


Fig. 5

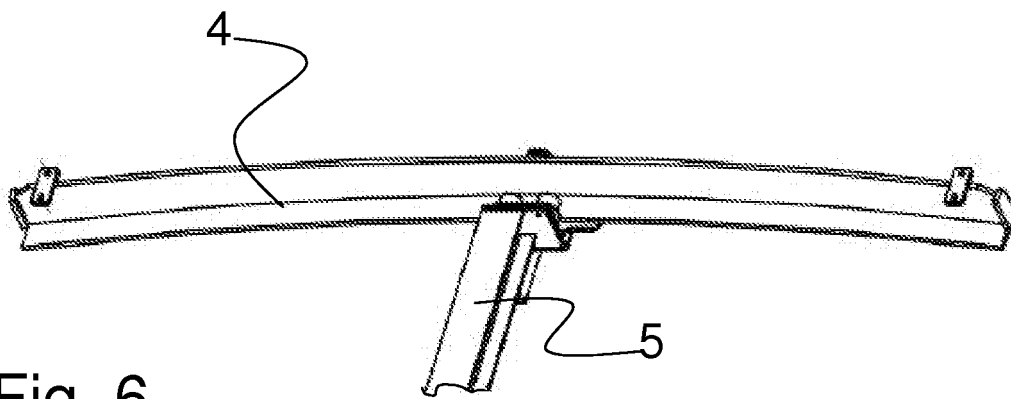


Fig. 6

4/5

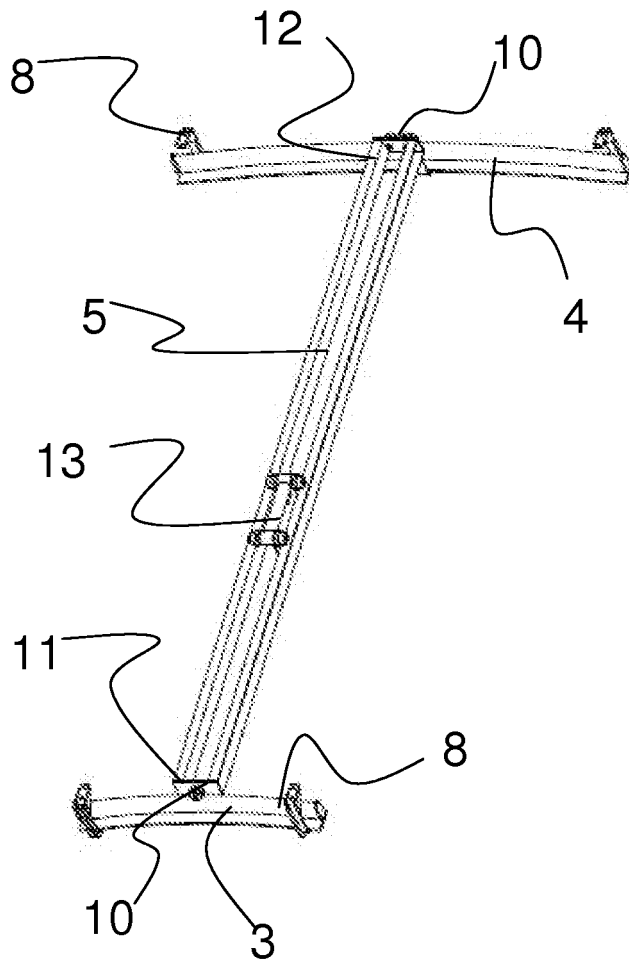


Fig. 7

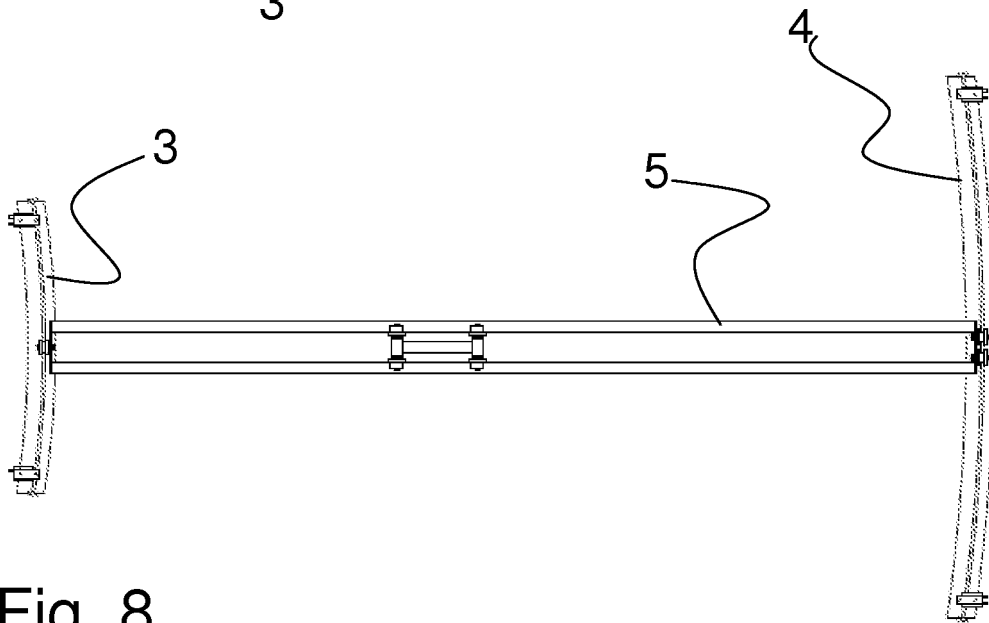


Fig. 8

5/5

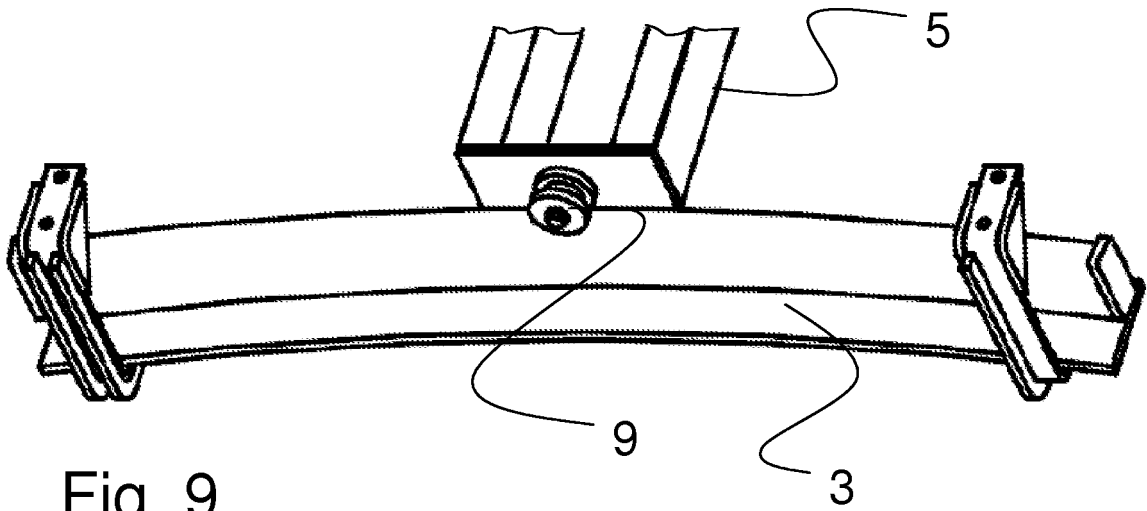


Fig. 9

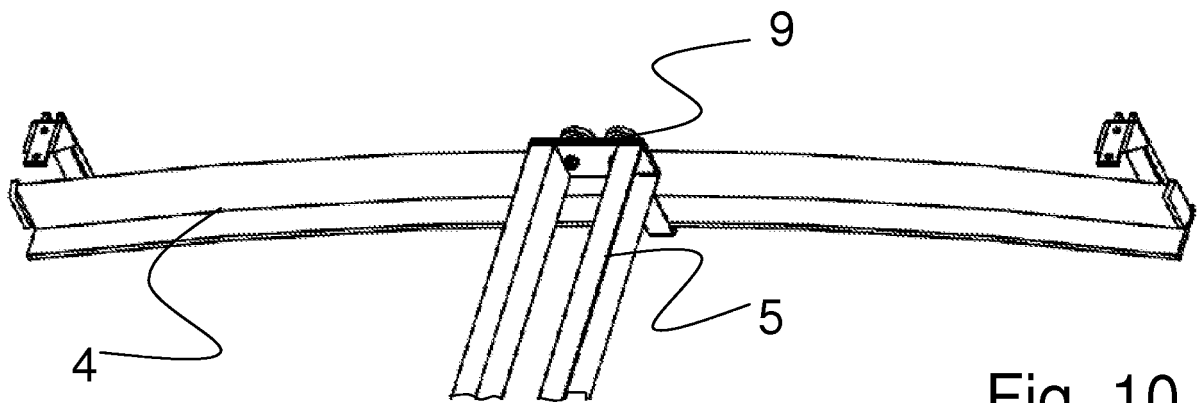


Fig. 10

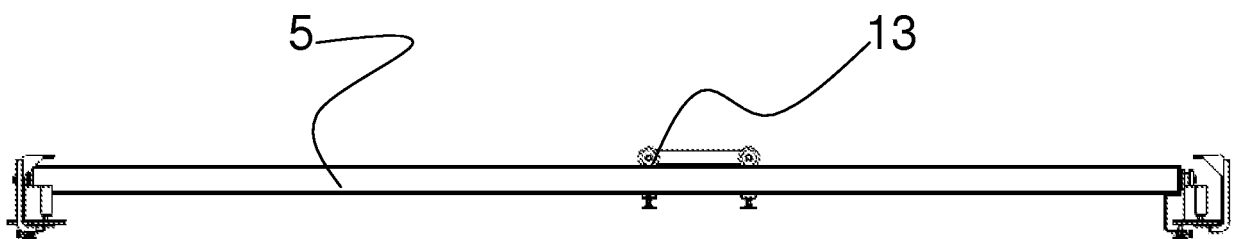


Fig. 11

INTERNATIONAL SEARCH REPORT

International application No
PCT/DK2009/050146

A. CLASSIFICATION OF SUBJECT MATTER
INV. B66C17/00 F03D1/00

According to International Patent Classification (IPC) or to both national classification and IPC

B. FIELDS SEARCHED

Minimum documentation searched (classification system followed by classification symbols)
B66C F03D

Documentation searched other than minimum documentation to the extent that such documents are included in the fields searched

Electronic data base consulted during the international search (name of data base and, where practical, search terms used)

EPO-Internal, WPI Data

C. DOCUMENTS CONSIDERED TO BE RELEVANT

Category*	Citation of document, with indication, where appropriate, of the relevant passages	Relevant to claim No.
A	WO 2007/107817 A (CLIPPER WINDPOWER TECHNOLOGY I [US]; DEHLSSEN JAMES G P [US]; YARALA RA) 27 September 2007 (2007-09-27) abstract	1, 10
A	DE 37 31 631 A1 (SCHMIDT HANDLING GMBH [DE]) 27 April 1989 (1989-04-27) the whole document	1

Further documents are listed in the continuation of Box C.

See patent family annex.

* Special categories of cited documents :

- *A* document defining the general state of the art which is not considered to be of particular relevance
- *E* earlier document but published on or after the international filing date
- *L* document which may throw doubts on priority claim(s) or which is cited to establish the publication date of another citation or other special reason (as specified)
- *O* document referring to an oral disclosure, use, exhibition or other means
- *P* document published prior to the international filing date but later than the priority date claimed

- *T* later document published after the international filing date or priority date and not in conflict with the application but cited to understand the principle or theory underlying the invention
- *X* document of particular relevance; the claimed invention cannot be considered novel or cannot be considered to involve an inventive step when the document is taken alone
- *Y* document of particular relevance; the claimed invention cannot be considered to involve an inventive step when the document is combined with one or more other such documents, such combination being obvious to a person skilled in the art.
- *G* document member of the same patent family

Date of the actual completion of the international search

19 October 2009

Date of mailing of the international search report

12/11/2009

Name and mailing address of the ISA/

European Patent Office, P.B. 5818 Patentlaan 2
NL - 2280 HV Rijswijk
Tel. (+31-70) 340-2040,
Fax: (+31-70) 340-3016

Authorized officer

Sheppard, Bruce

INTERNATIONAL SEARCH REPORT

Information on patent family members

International application No

PCT/DK2009/050146

Patent document cited in search report	Publication date	Patent family member(s)	Publication date
WO 2007107817	A	27-09-2007	
		AT 399265 T	15-07-2008
		AU 2007228500 A1	27-09-2007
		BR PI0702849 A	01-04-2008
		CA 2598505 A1	23-09-2007
		CN 101310107 A	19-11-2008
		DK 1859165 T3	06-10-2008
		EP 1859165 A1	28-11-2007
		ES 2309982 T3	16-12-2008
		JP 2009530541 T	27-08-2009
		KR 20070115934 A	06-12-2007
		US 2008245756 A1	09-10-2008
<hr/>			
DE 3731631	A1	27-04-1989	NONE
<hr/>			