



US00D994801S

(12) **United States Design Patent**
Xiao

(10) **Patent No.:** **US D994,801 S**

(45) **Date of Patent:** **** Aug. 8, 2023**

(54) **PILATES EXERCISE BAR**

(71) Applicant: **Yan Xiao**, Wuhan (CN)

(72) Inventor: **Yan Xiao**, Wuhan (CN)

(**) Term: **15 Years**

(21) Appl. No.: **29/872,587**

(22) Filed: **Mar. 15, 2023**

(30) **Foreign Application Priority Data**

Mar. 3, 2023 (CN) 202330088790.3

(51) **LOC (14) CL.** **21-02**

(52) **U.S. Cl.**
USPC **D21/691**; D21/679; D21/682; D21/692;
D21/694

(58) **Field of Classification Search**

USPC D21/667, 673, 677, 679, 682, 691, 692,
D21/694

CPC A63B 3/00; A63B 1/00; A63B 21/0552;
A63B 21/068; A63B 17/00; A63B 23/12;
A63B 21/00061; A63B 21/4049; A63B
22/20; A63B 23/1218; A63B 2023/04111;

(Continued)

(56) **References Cited**

U.S. PATENT DOCUMENTS

2,919,134 A * 12/1959 Zuro A63B 21/04
248/200.1

D243,013 S * 1/1977 Jones D10/63
(Continued)

FOREIGN PATENT DOCUMENTS

CN 202230267569.X * 11/2022
GB 6268516 * 3/2023

OTHER PUBLICATIONS

Lader, Pilates Bar Kit, published on Mar. 26, 2021 [online]. Retrieved from internet (Date: Jun. 6, 2023), <https://www.amazon.com/>

LADER-Resistance-Adjustive-Equipment-Exercise/dp/B0915M9YP4/ref=cm_cr_ar_p_d_product_top?ie=UTF8 (Year: 2021).*

(Continued)

Primary Examiner — Katherine A Holbrow

Assistant Examiner — Riya Salil Kamat

(57) **CLAIM**

The ornamental design for a pilates exercise bar, as shown and described.

DESCRIPTION

FIG. 1 is a front and top perspective view of a pilates exercise bar, showing my new design;

FIG. 2 is a rear and bottom perspective view thereof;

FIG. 3 is a front elevation view thereof;

FIG. 4 is a rear elevation view thereof;

FIG. 5 is a left side elevation view thereof;

FIG. 6 is a right side elevation view thereof;

FIG. 7 is a top plan view thereof;

FIG. 8 is a bottom plan view thereof;

FIG. 9 is an enlarged perspective view of detail “9” identified in FIG. 1;

FIG. 10 is an enlarged perspective view of detail “10” identified in FIG. 1;

FIG. 11 is an enlarged perspective view of detail “11” identified in FIG. 1;

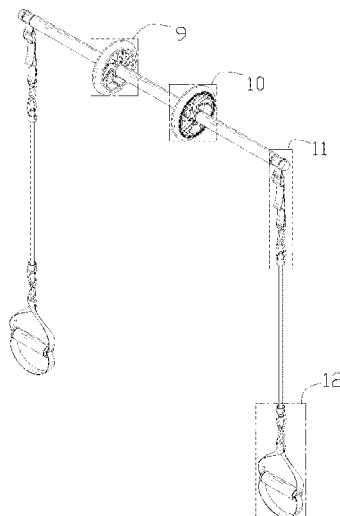
FIG. 12 is an enlarged perspective view of detail “12” identified in FIG. 1;

FIG. 13 is an enlarged perspective view of detail “13” identified in FIG. 2; and,

FIG. 14 is an enlarged perspective view of detail “14” identified in FIG. 2.

The dash lines in the figures illustrate portions of the pilates exercise bar that form no part of the claimed design. The dash dot dash lines in FIGS. 1, 2, 9, 10, 11, 12, 13 and 14 are for the purpose of illustrating the enlarged views indicators and form no part of the claimed design.

1 Claim, 14 Drawing Sheets



(58) **Field of Classification Search**
 CPC A63B 2214/00; A63B 21/055; A63B 17/04
 See application file for complete search history.

(56) **References Cited**

U.S. PATENT DOCUMENTS

| | | | | |
|--------------|------|---------|-----------------|-------------------------|
| D274,539 | S * | 7/1984 | Bankier | D21/679 |
| D324,894 | S * | 3/1992 | Porcello | D21/679 |
| D409,816 | S * | 5/1999 | Young | D99/99 |
| D456,863 | S * | 5/2002 | Smithey | D21/679 |
| D464,691 | S * | 10/2002 | Tracy | D21/679 |
| 7,322,909 | B1 * | 1/2008 | Loccarini | A63B 21/4011 482/904 |
| D666,256 | S * | 8/2012 | Wine | D21/662 |
| D728,039 | S | 4/2015 | Groshek et al. | |
| D778,374 | S * | 2/2017 | Jaquish | D21/686 |
| D794,725 | S * | 8/2017 | Lamothe | D21/679 |
| 10,046,198 | B1 * | 8/2018 | Huang | A63B 21/4043 |
| D877,822 | S * | 3/2020 | Ross | D21/678 |
| D881,300 | S * | 4/2020 | Jin | D21/692 |
| 10,874,896 | B1 * | 12/2020 | Little | A63B 21/0442 |
| D918,319 | S * | 5/2021 | Xu | D21/679 |
| D977,043 | S * | 1/2023 | Gu | D21/692 |
| 2008/0176723 | A1 * | 7/2008 | Johnson | A63B 21/0724 482/106 |
| 2019/0160325 | A1 * | 5/2019 | Latronica | A63B 21/4045 |

OTHER PUBLICATIONS

Hotwave, Pilates Bar Kit with Ab Roller, published on Mar. 19, 2023 [online]. Retrieved from internet (Date: Jun. 6, 2023), https://www.amazon.com/HOTWAVE-Resistance-Workout-Machine-Core-Equipment-Portable/dp/B0BYRMLVFB?ref_=ast_sto_dp&th=1&pssc=1 (Year: 2023).*

Hotwave, Pilates Resistance Bands Strength Training Ab Roller, published on Mar. 25, 2023 [online]. Retrieved from internet (Date: Jun. 6, 2023), https://www.amazon.com/HOTWAVE-Accessories-Resistance-Strength-Training-Workout-Portable/dp/B0BZKLM68P?ref_=ast_sto_dp (Year: 2023).*

Cofof, Pilates Bar Kit, published on Apr. 23, 2020 [online]. Retrieved from internet (Date: Jun. 6, 2023), https://www.amazon.com/Resistance-Multifunctional-Heavy-Duty-Adjustment-20-150LBS/dp/B0BRPBPVYR/ref=cm_cr_arp_d_product_top?ie=UTF8 (Year: 2020).*

Tomshoo, Ab Wheel Roller Kit, published on Sep. 25, 2018 [online]. Retrieved from internet (Date: Jun. 6, 2023), https://www.amazon.com/TOMSHOO-Wheel-Roller-Push-UP-Griper/dp/B07HMQNDQB/ref=cm_cr_arp_d_product_top?ie=UTF8 (Year: 2018).*

* cited by examiner

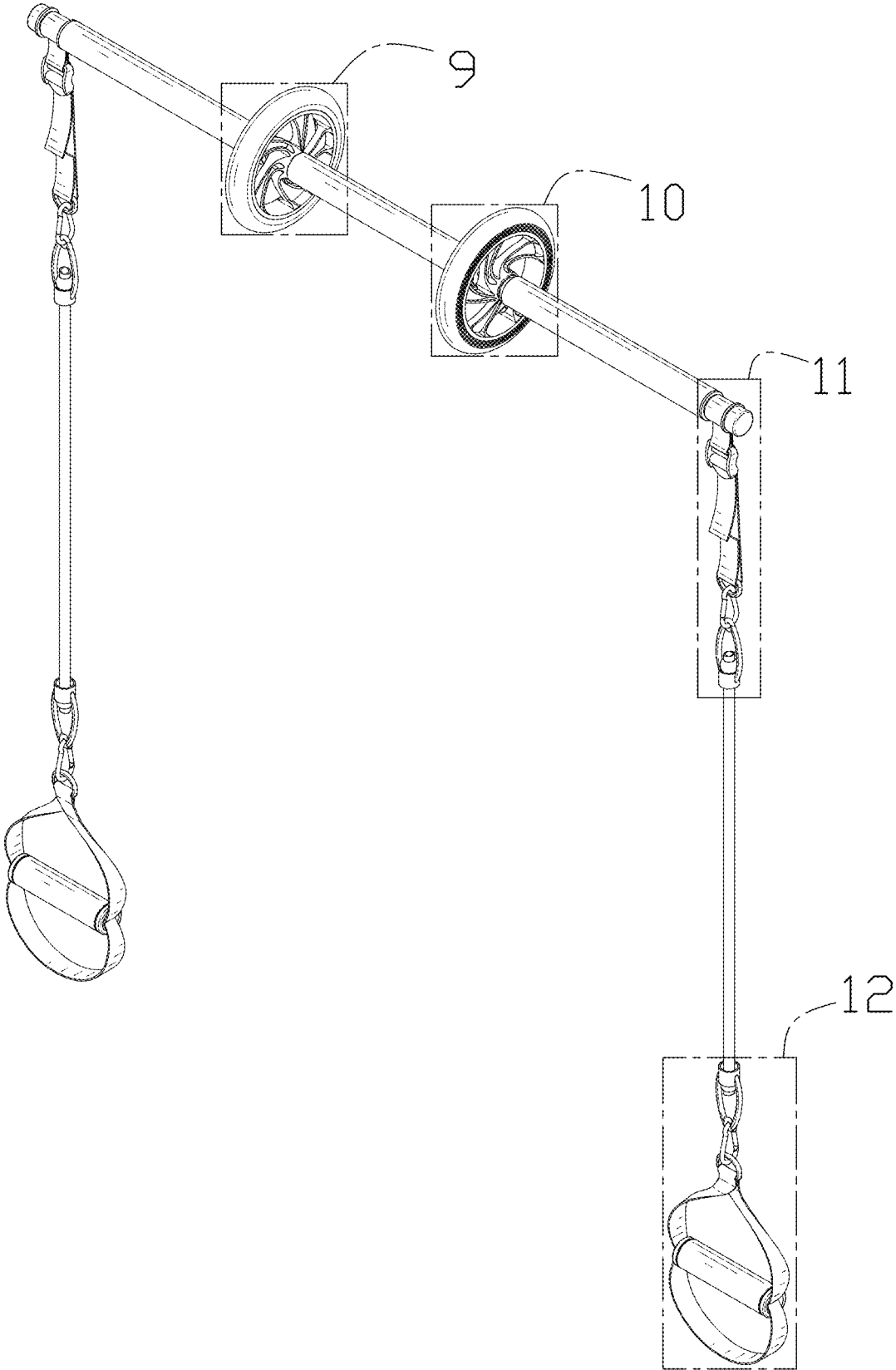


FIG. 1

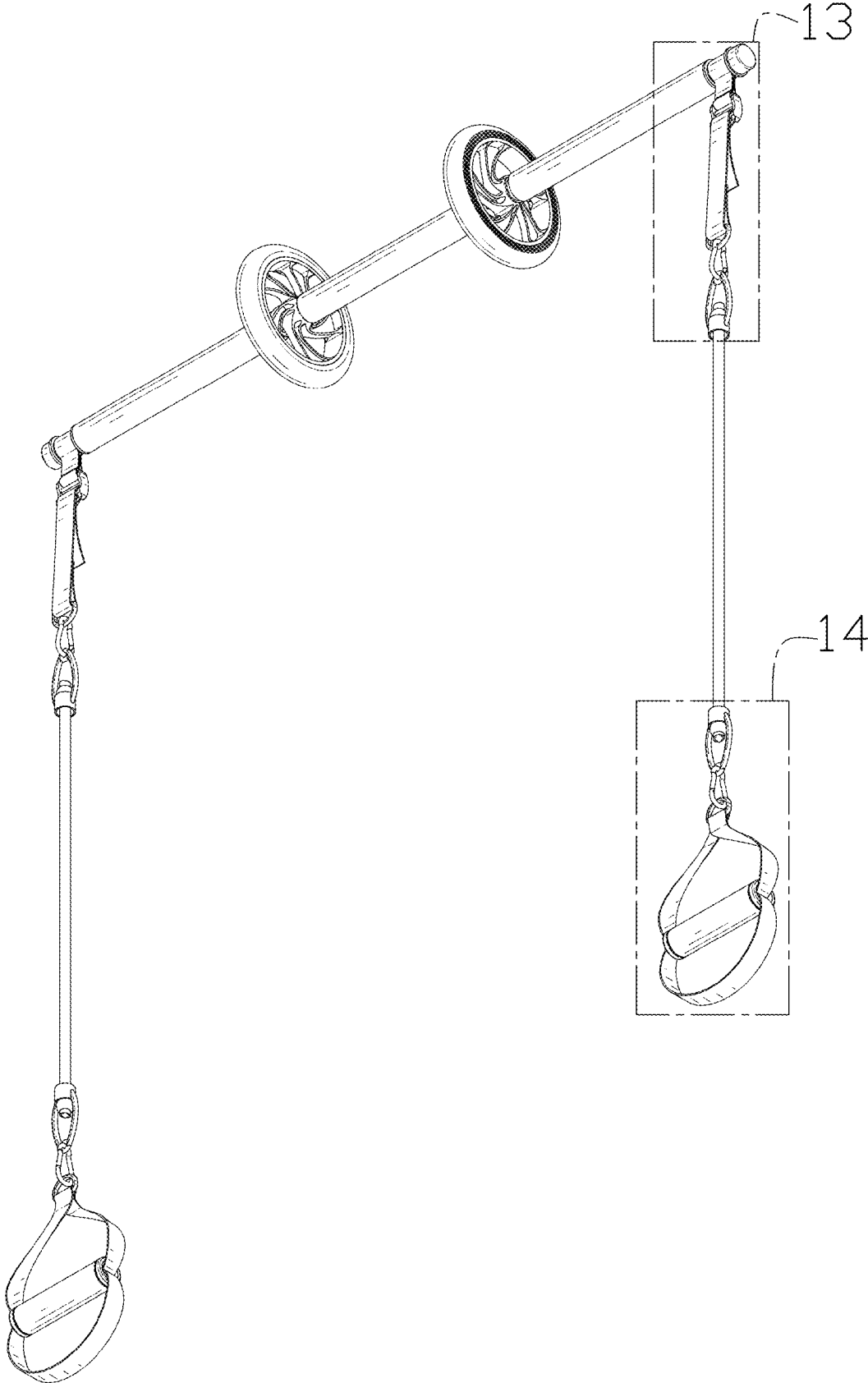


FIG. 2

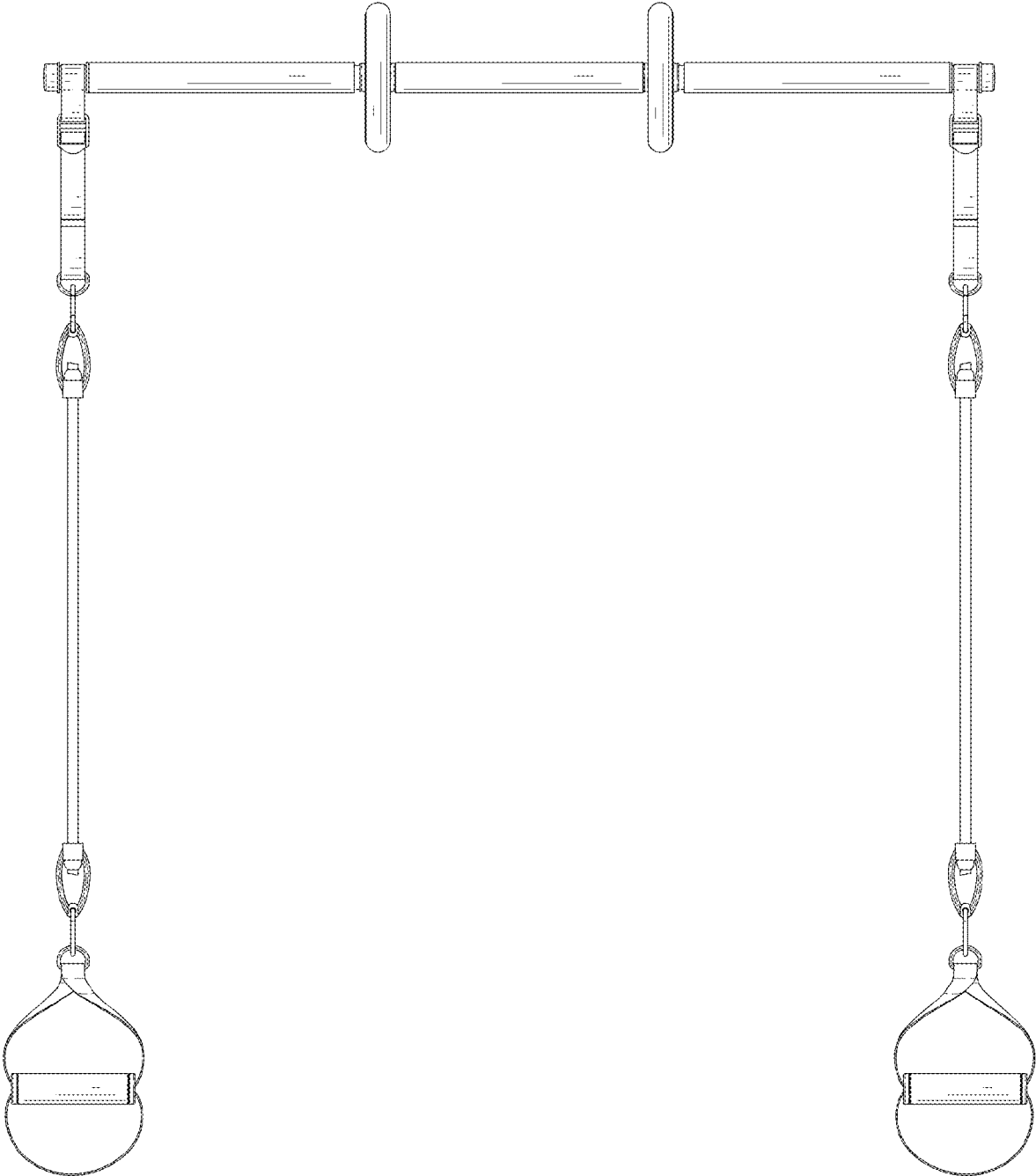


FIG. 3

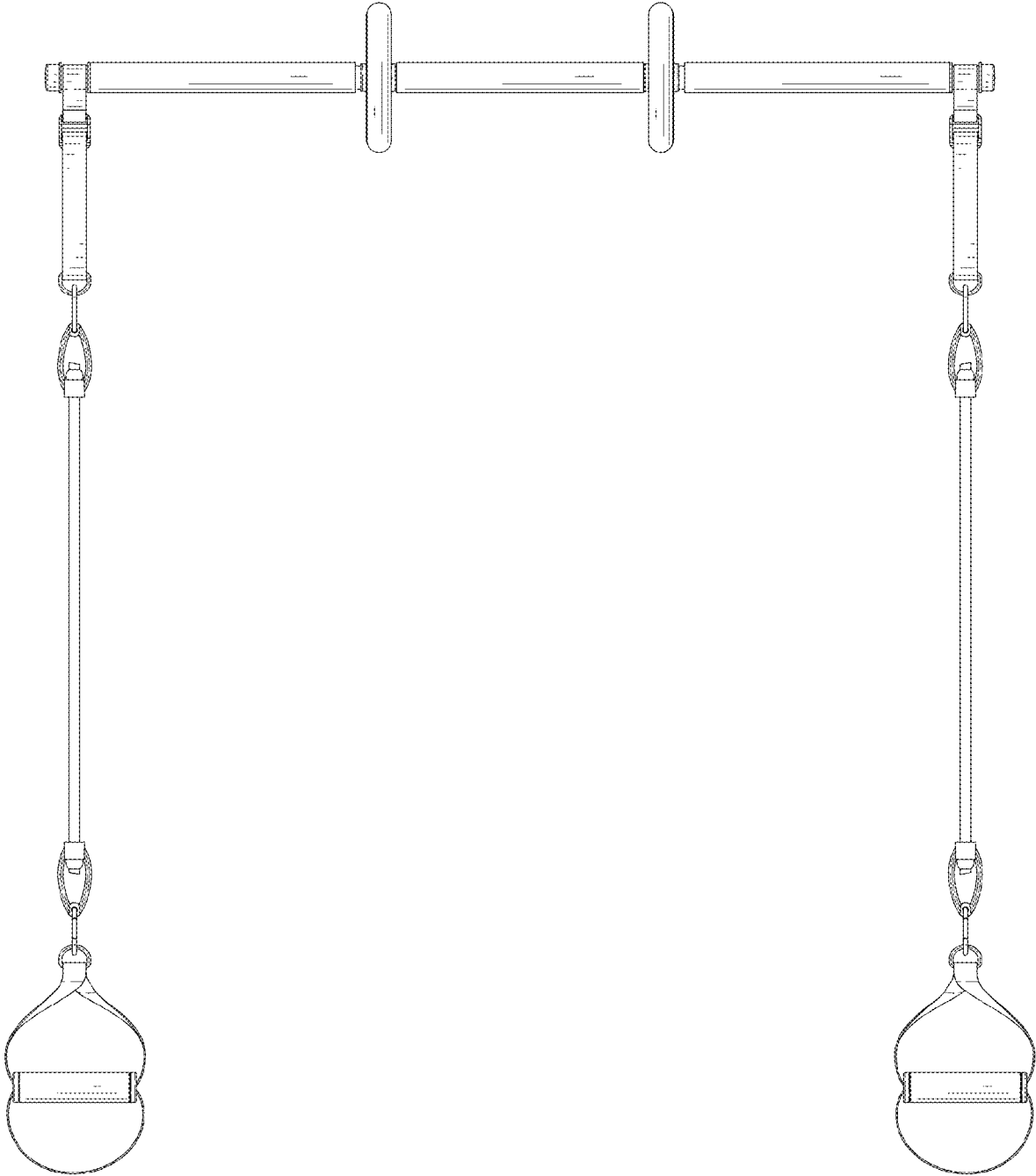


FIG. 4

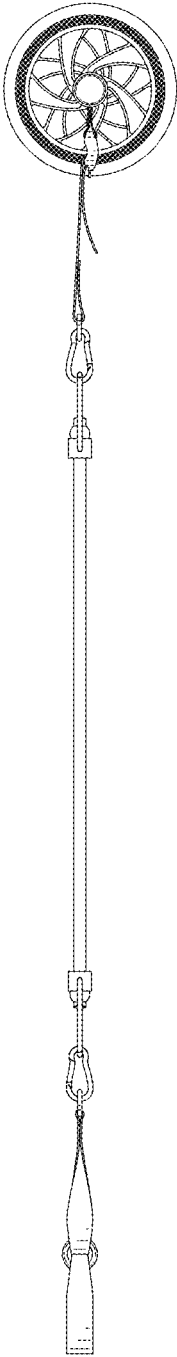


FIG. 5

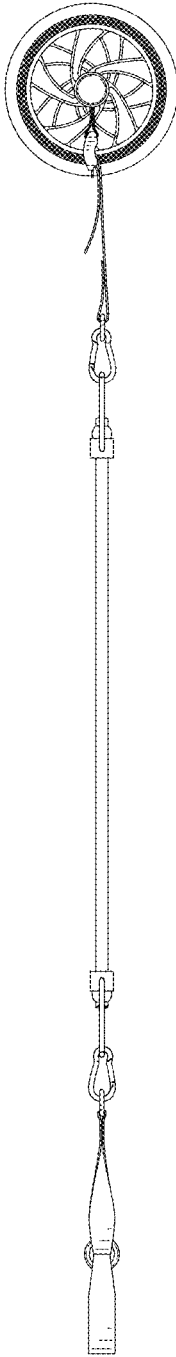


FIG. 6

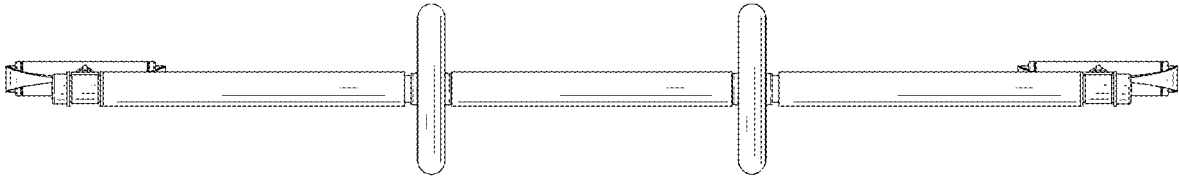


FIG. 7

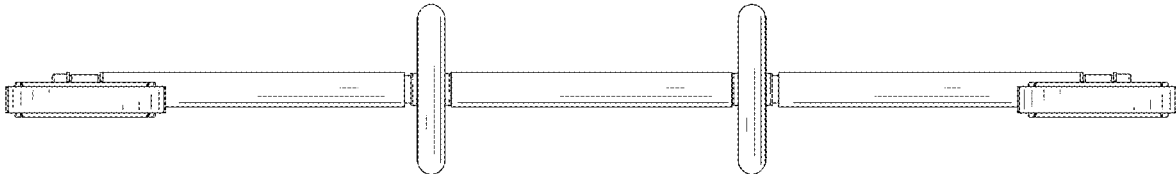


FIG. 8

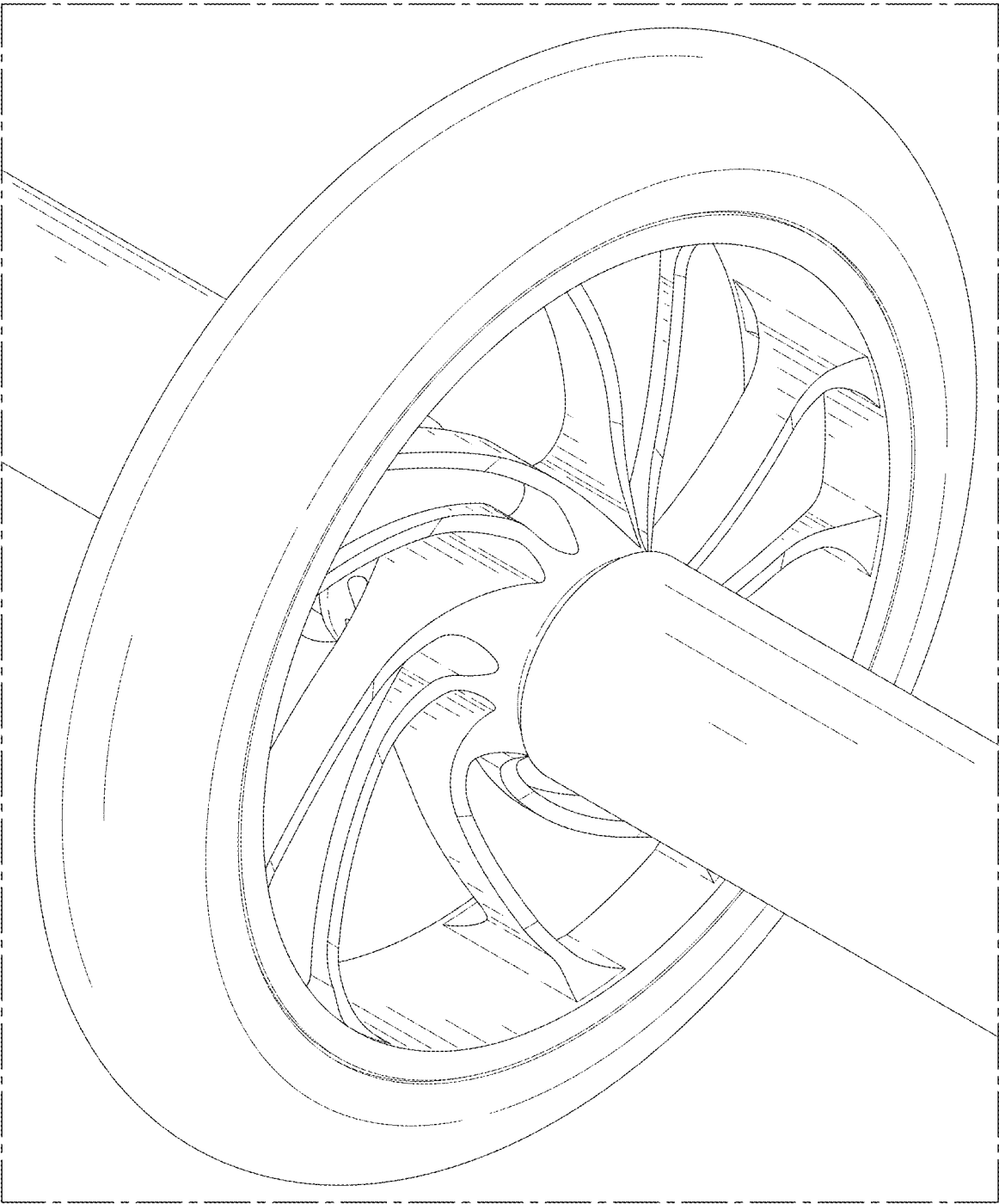


FIG. 9

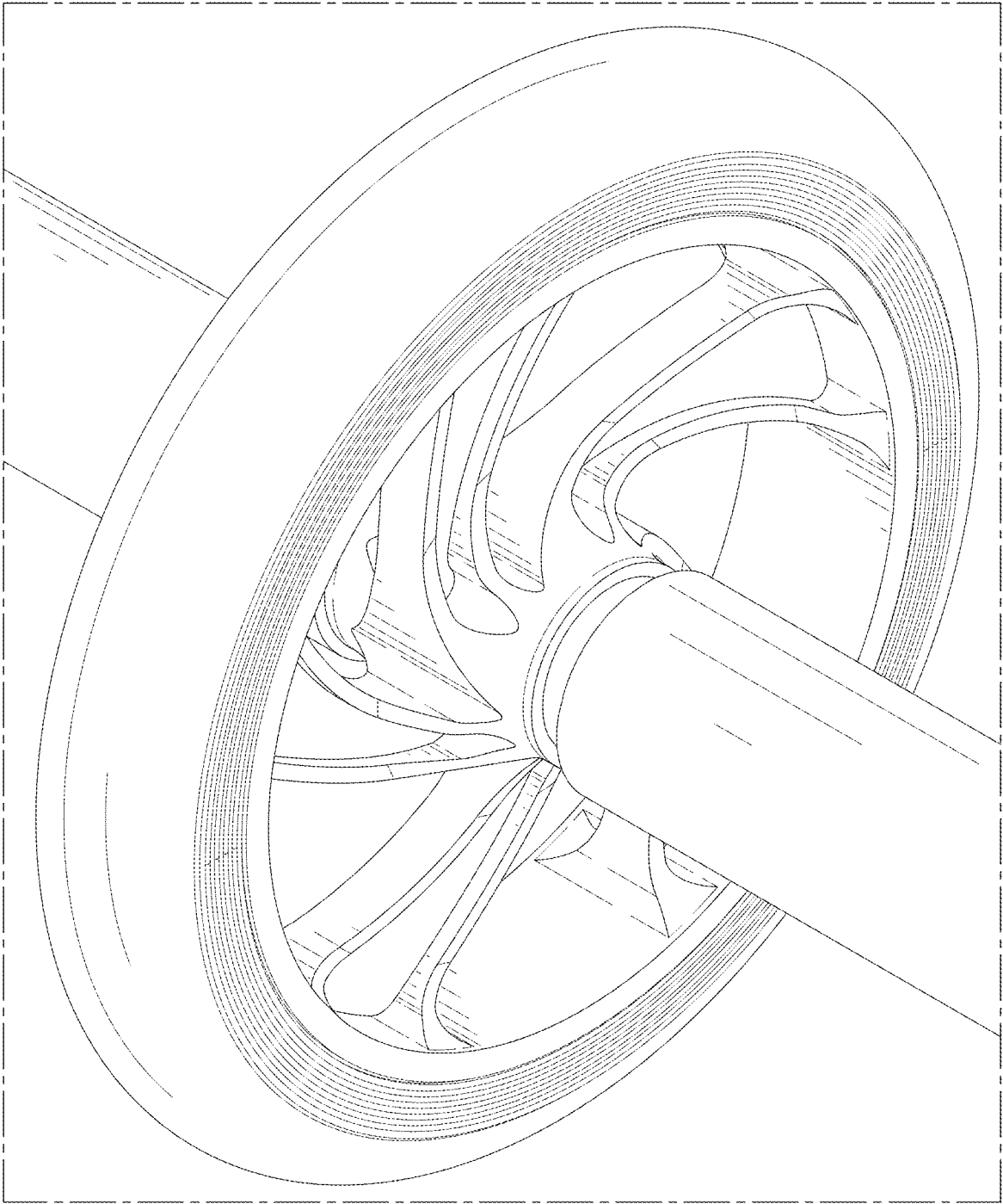


FIG. 10

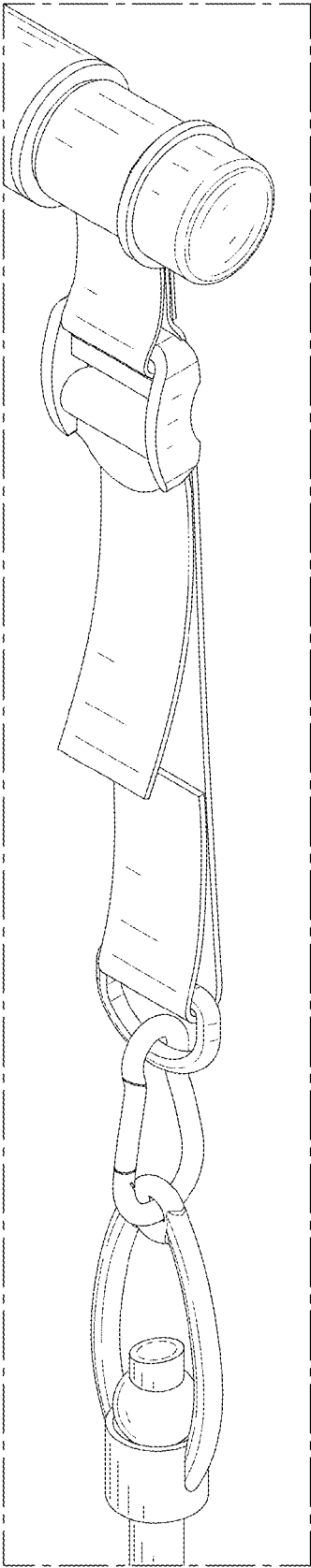


FIG. 11

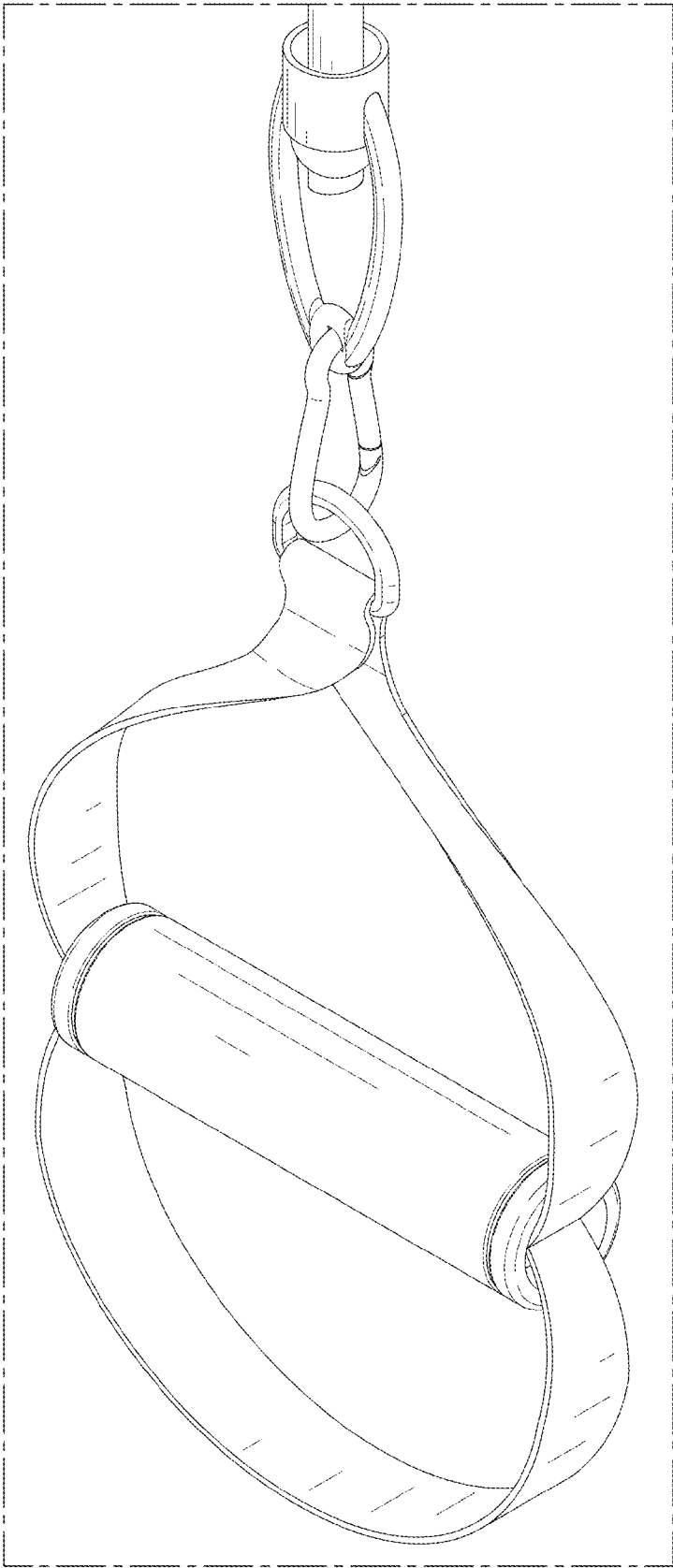


FIG. 12

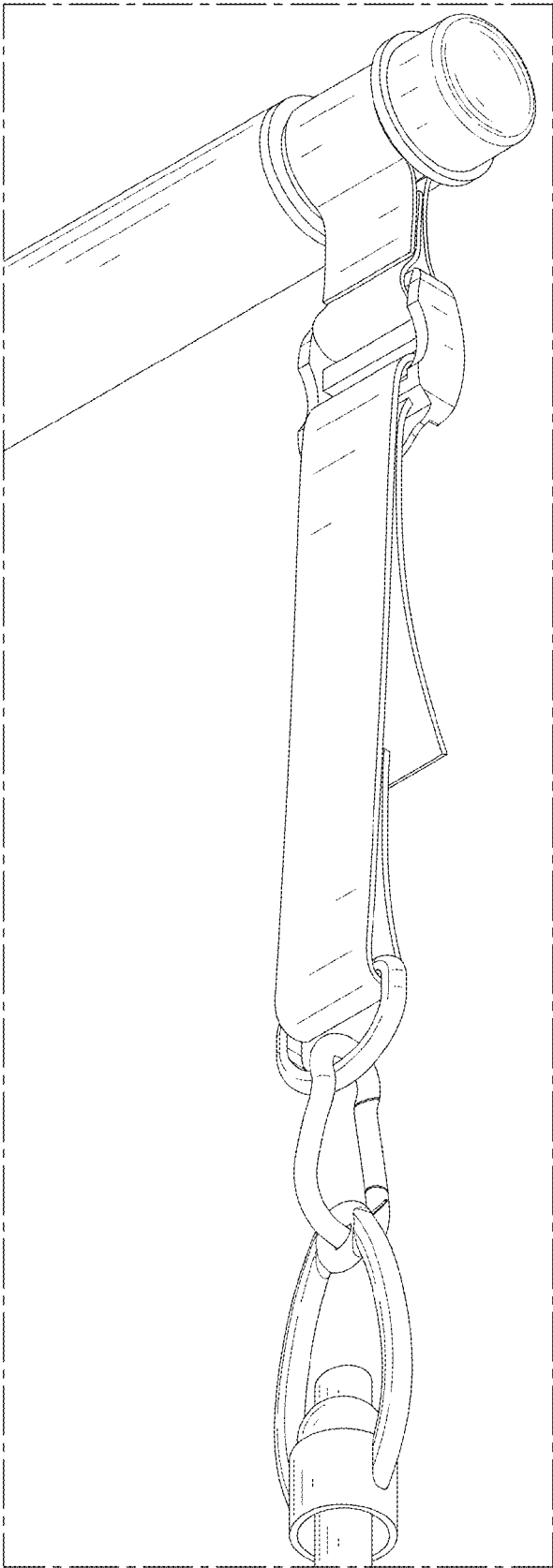


FIG. 13

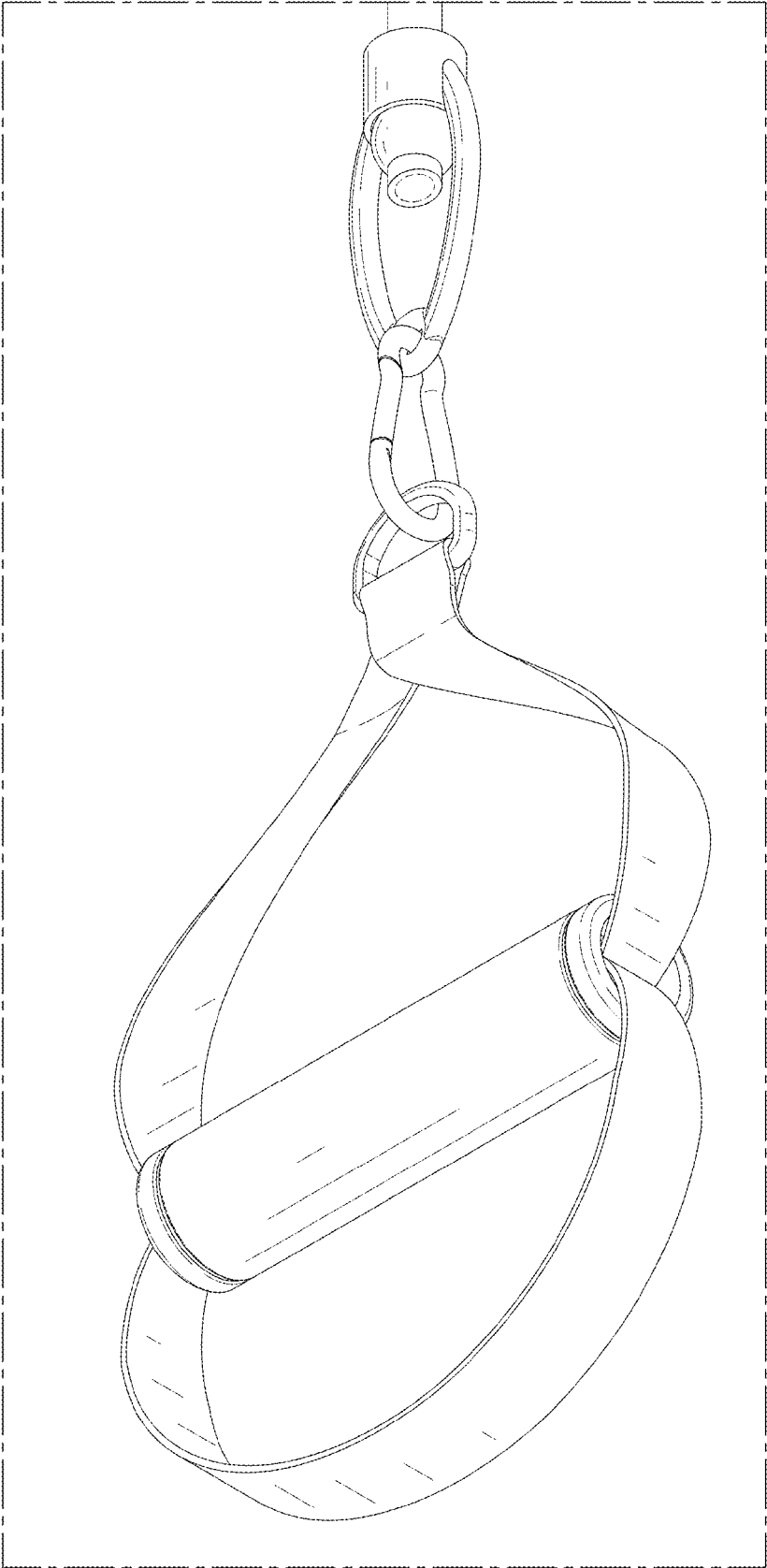


FIG. 14