

[54] **TOY BUILDING ELEMENT**

[75] **Inventor: Edel S. Andersen, Randøhl, Denmark**

[73] **Assignee: Interlego A.G., Baar, Switzerland**

[**] **Term: 14 Years**

[21] **Appl. No.: 349,347**

[22] **Filed: May 9, 1989**

[52] **U.S. Cl. D21/108**

[58] **Field of Search D21/59, 108, 114, 117,
D21/118, 119; 446/108, 115, 118, 124, 126, 85,
93**

[56] **References Cited**

U.S. PATENT DOCUMENTS

499,512	6/1893	Brower	446/85
2,039,097	4/1936	Malm	D21/108
2,098,124	11/1937	Yancey	D21/129

3,162,973 12/1964 Christiansen D21/108

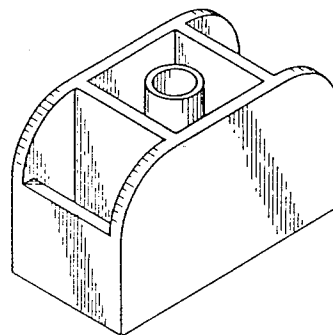
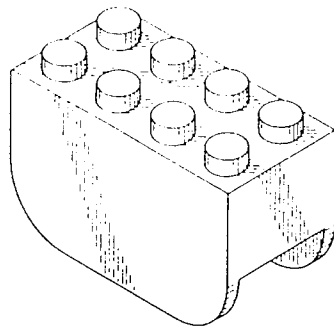
Primary Examiner—Charles A. Rademaker
Assistant Examiner—Alicia A. Farrell
Attorney, Agent, or Firm—Kane, Dalsimer, Sullivan,
Kurucz, Levy, Eisele and Richard

[57] **CLAIM**

The ornamental design for a toy building element, as shown and described.

DESCRIPTION

FIG. 1 is a top perspective view of a toy building element showing my new design;
FIG. 2 is a bottom perspective view thereof;
FIG. 3 is a top plan view thereof;
FIG. 4 is a bottom plan view thereof;
FIG. 5 is a right side elevational view thereof; the side opposite being identical, and
FIG. 6 is a front elevational view thereof; the rear elevational view being identical;



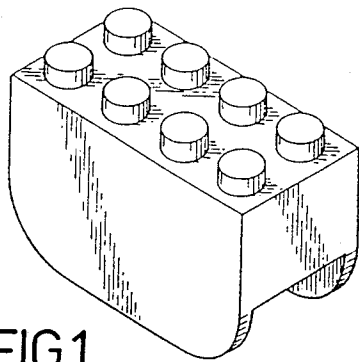


FIG. 1

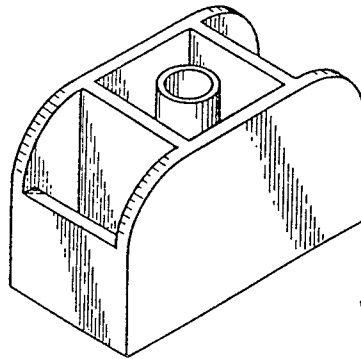


FIG. 2

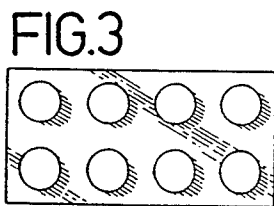


FIG. 3

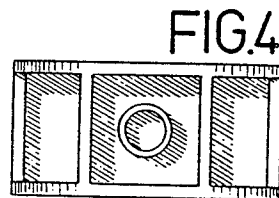


FIG. 4

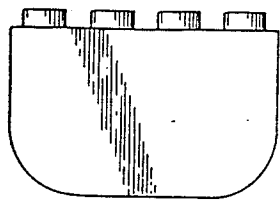


FIG. 5

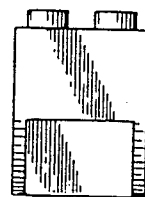


FIG. 6