



US0D1024573S

(12) **United States Design Patent**
Xie et al.

(10) **Patent No.:** **US D1,024,573 S**

(45) **Date of Patent:** **** Apr. 30, 2024**

(54) **ORAL CARE IMPLEMENT**

(56) **References Cited**

(71) Applicant: **Colgate-Palmolive Company**, New York, NY (US)

U.S. PATENT DOCUMENTS

(72) Inventors: **Fan Gang Xie**, Shanghai (CN); **Yanmei Ji**, Jiangsu (CN); **Wen Jin Xi**, Shanghai (CN)

3,359,588 A	12/1967	Kobler
D387,206 S	12/1997	Yamamoto et al.
5,799,353 A	9/1998	Oishi et al.
5,926,900 A	7/1999	Bennett
6,272,714 B2	8/2001	Beals

(Continued)

(73) Assignee: **Colgate-Palmolive Company**, New York, NY (US)

FOREIGN PATENT DOCUMENTS

(**) Term: **15 Years**

CN	206659412	11/2017
CN	305344908	9/2019

(Continued)

(21) Appl. No.: **29/829,844**

(22) Filed: **Mar. 8, 2022**

OTHER PUBLICATIONS

(51) **LOC (14) Cl.** **04-02**

แปรงสีฟัน คอลเกต เจนเทิล กัมเอ็กซ์เพิร์ด ซอกซอนร่องเหงือก
ได้ตั้งขึ้นถึง 6 เท่า**, posted Jun. 15, 2023 [online], [retrieved Jul. 18, 2023]. Retrieved from internet, <https://www.youtube.com/watch?v=1o1yk2yuAvo&t=1s> (Year: 2023).*

(52) **U.S. Cl.**

USPC **D4/104**; D4/110

(58) **Field of Classification Search**

USPC D4/100, 101, 104, 105, 106, 110, 130, D4/132, 136, 138, 199; D24/176
CPC .. A46B 1/00; A46B 3/00; A46B 3/005; A46B 3/02; A46B 3/04; A46B 3/20; A46B 3/22; A46B 5/00; A46B 5/002; A46B 5/0025; A46B 5/0029; A46B 5/0033; A46B 5/0037; A46B 5/0054; A46B 5/0062; A46B 5/0066; A46B 5/0095; A46B 5/02; A46B 5/021; A46B 7/00; A46B 7/06; A46B 9/00; A46B 9/005; A46B 9/02; A46B 9/021; A46B 9/023; A46B 9/026; A46B 9/028; A46B 9/04; A46B 9/05; A46B 13/00; A46B 13/001; A46B 13/02; A46B 13/023; A46B 13/08; A46B 15/00; A46B 15/0002; A46B 15/0016; A46B 2200/00; A46B 2200/10; A46B 2200/1026; A46B 2200/1066; A46B 2200/1073; A46B 2200/108; A46B 2200/30; A61C 17/00; A61C 17/005; G05B 19/0084

See application file for complete search history.

Primary Examiner — Alison M Ofstun

Assistant Examiner — Evin F Ershock

(57) **CLAIM**

The ornamental design for an oral care implement, as shown and described.

DESCRIPTION

FIG. 1 is a front perspective view of an oral care implement showing our new design;
 FIG. 2 is a rear perspective view thereof;
 FIG. 3 is a front view thereof;
 FIG. 4 is a rear view thereof;
 FIG. 5 is a left side view thereof;
 FIG. 6 is a right side view thereof;
 FIG. 7 is an enlarged top view thereof; and,
 FIG. 8 is an enlarged bottom view thereof.
 The broken lines illustrate portions of the oral care implement that form no part of the claimed design.

1 Claim, 4 Drawing Sheets



(56)

References Cited

U.S. PATENT DOCUMENTS

6,421,867 B1 7/2002 Weihrauch
 6,643,886 B2 11/2003 Moskovich et al.
 7,337,785 B2 3/2008 Gueret
 D590,597 S * 4/2009 Geiberger D4/104
 D592,405 S 5/2009 Moskovich
 7,703,163 B2 4/2010 Jimenez et al.
 7,814,603 B2 10/2010 Gavney, Jr.
 7,845,042 B2 12/2010 Moskovich et al.
 7,854,036 B2 12/2010 Georgi
 8,239,996 B2 8/2012 Garbers et al.
 8,387,196 B2 3/2013 Jimenez et al.
 8,813,299 B2 8/2014 Garbers et al.
 D759,380 S * 6/2016 Watkins D4/101
 10,194,739 B2 2/2019 Jungnickel
 D854,835 S * 7/2019 Hielscher D4/104
 D855,998 S * 8/2019 Hielscher D4/104
 D868,479 S * 12/2019 Papazian A46D 1/08
 D4/101
 D883,677 S 5/2020 Xie et al.
 10,674,812 B2 6/2020 Sorrentino
 D901,183 S * 11/2020 Jungnickel D4/104
 10,849,416 B2 12/2020 Hohlbein
 D931,615 S * 9/2021 Huang D4/101
 D932,190 S * 10/2021 Kraemer D4/104
 D935,188 S * 11/2021 He D4/101
 11,185,152 B2 11/2021 Wainless et al.
 D944,531 S * 3/2022 Brönnner D4/110
 D959,843 S * 8/2022 Jungnickel D4/101
 D961,269 S * 8/2022 Xie D4/104
 2003/0088932 A1 5/2003 Gardiner

2004/0255416 A1 12/2004 Hohlbein
 2015/0257520 A1 9/2015 Stoerkel et al.
 2021/0227963 A1* 7/2021 Xie A46D 1/08

FOREIGN PATENT DOCUMENTS

CN 305805946 5/2020
 CN 306226824 12/2020
 CN 306362045 3/2021
 CN 306396109 3/2021
 CN 306499797 4/2021
 CN 306536802 5/2021
 CN 306536813 5/2021
 CN 306555864 5/2021
 DE 40407153-0003 8/2005
 DE 40407153-0005 8/2005
 EM 008043798-0001 7/2020
 EM 008219083-0004 1/2021
 EM 008576607-001 6/2021
 EM 009040264-0013 6/2022
 EM 009040264-0016 6/2022
 EP 2494885 9/2012
 EP 3616562 3/2020
 GB 2371217 7/2002
 GB 9005808698-0007 8/2018
 JP 2000-000117 1/2000
 KR 301103167.0000 4/2021
 TW 260913 10/1995
 WO 2004/028235 10/1995
 WO 2000/25631 5/2000
 WO 2004/062573 4/2004
 WO 2004/112538 12/2004
 WO 2014/098853 6/2014
 WO 2015/016306 2/2015
 WO D211941-002 7/2021

* cited by examiner

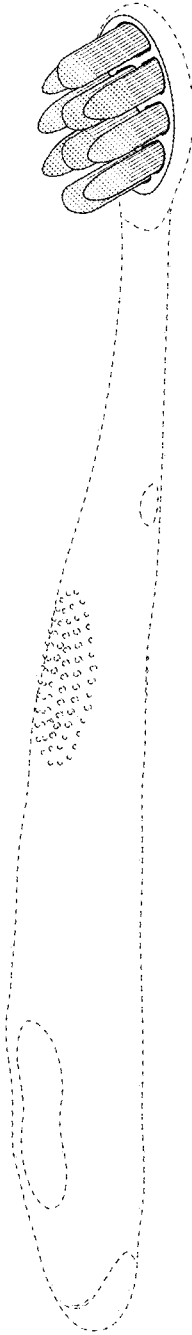


FIG. 1

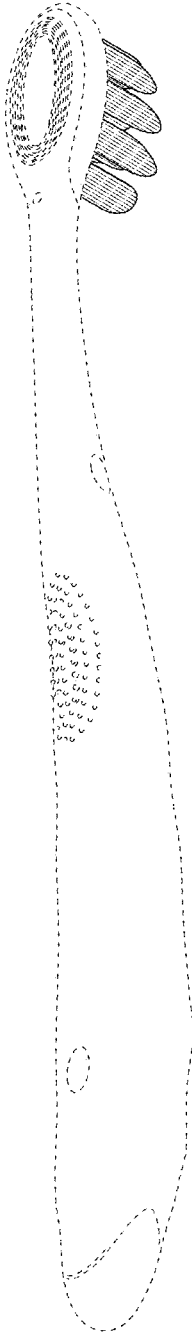


FIG. 2

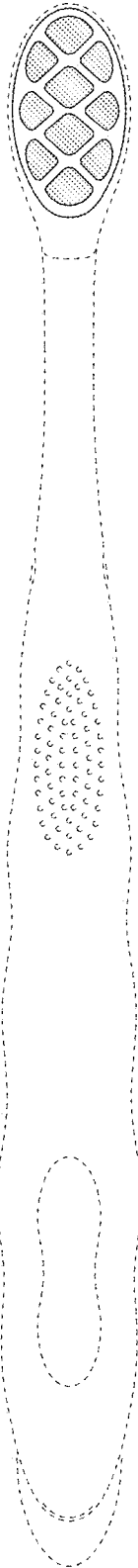


FIG. 3

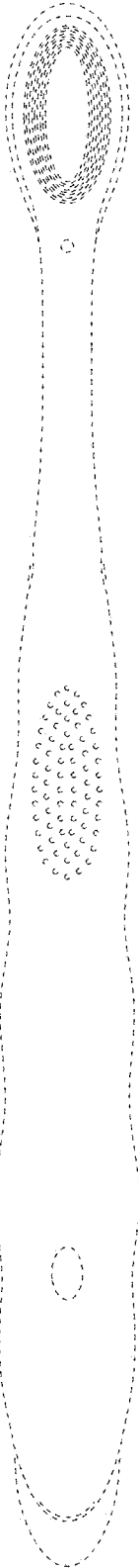


FIG. 4

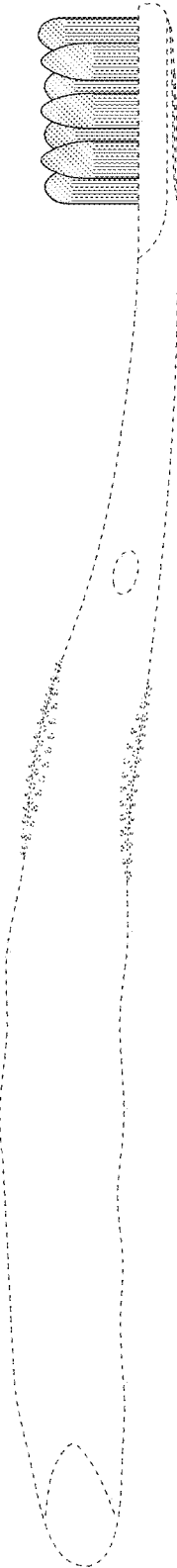


FIG. 5



FIG. 6

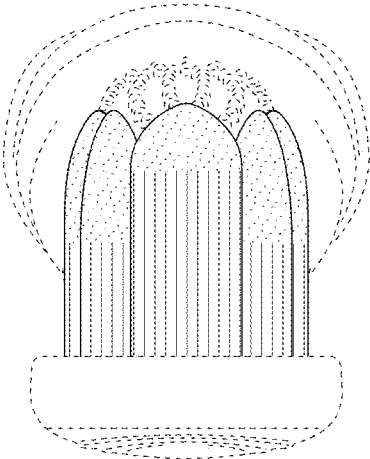


FIG. 7

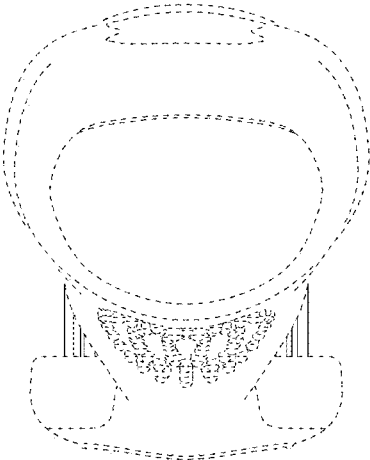


FIG. 8