



US00D700486S

(12) **United States Design Patent**  
**Deshpande et al.**

(10) **Patent No.:** **US D700,486 S**  
(45) **Date of Patent:** **\*\* Mar. 4, 2014**

- (54) **HANDLE FOR A RATCHET ASSEMBLY**
- (75) Inventors: **Dhananjay B. Deshpande**, Twinsburg, OH (US); **Cynthia K. Eubank**, Barberton, OH (US)
- (73) Assignee: **Cequent Consumer Products, Inc.**, Solon, OH (US)
- (\*\*) Term: **14 Years**
- (21) Appl. No.: **29/420,338**
- (22) Filed: **May 8, 2012**
- (51) **LOC (10) Cl.** ..... **08-05**
- (52) **U.S. Cl.** .....  
USPC ..... **D8/44**
- (58) **Field of Classification Search**  
USPC ..... D8/44, 71, 356, 364, 382-838;  
D13/154-155; 29/356, 358; 248/218.4,  
248/219.1-219.2, 219.4  
See application file for complete search history.

5,103,536 A	4/1992	Kamper
5,109,737 A	5/1992	Raber
D328,840 S	8/1992	Jensen
5,228,202 A	7/1993	Liao
5,282,296 A	2/1994	Huang
5,404,615 A	4/1995	Wafer et al.
5,423,644 A	6/1995	First, Sr.
5,426,826 A	6/1995	Takimoto
5,471,899 A	12/1995	Twomlow
5,549,429 A	8/1996	Sergent
5,560,086 A	10/1996	Huang
5,779,001 A	7/1998	Skyba
5,855,045 A	1/1999	Miura
5,911,798 A	6/1999	Arnold
6,007,053 A	12/1999	Huang
6,038,946 A	3/2000	Jackson et al.
6,108,821 A	8/2000	Malsoute
6,195,848 B1	3/2001	Jackson et al.
6,196,092 B1	3/2001	Potter
6,230,370 B1	5/2001	Nelsen

(Continued)

*Primary Examiner* — Adir Aronovich  
*Assistant Examiner* — Roselynn Cody  
(74) *Attorney, Agent, or Firm* — McDonald Hopkins LLC

(56) **References Cited**

U.S. PATENT DOCUMENTS

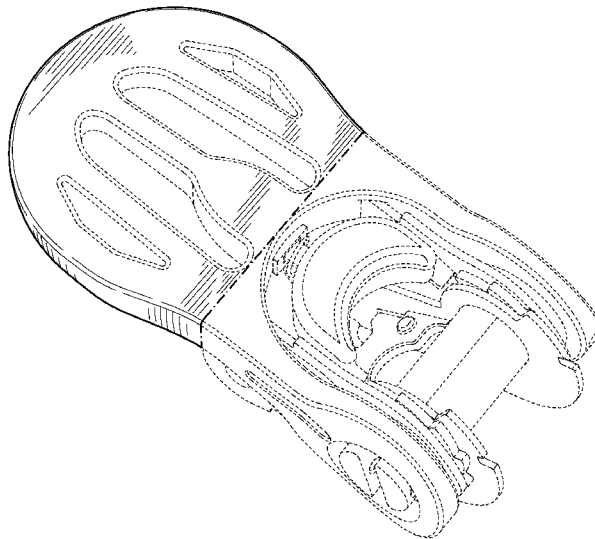
384,512 A	6/1888	Dillon
604,302 A	5/1898	Clark
1,606,221 A	11/1926	Hergesheimer
2,526,216 A	10/1950	Gartner
2,597,351 A	5/1952	MacKenzie
3,718,315 A	2/1973	Huber
3,826,473 A	7/1974	Huber
3,844,317 A	10/1974	Angarola et al.
3,965,539 A	6/1976	Golden
4,155,537 A	5/1979	Bronson et al.
4,227,286 A	10/1980	Holmberg
4,268,012 A	5/1981	Ruehle et al.
4,440,517 A	4/1984	Potter et al.
4,510,651 A	4/1985	Prete, Jr. et al.
4,913,608 A	4/1990	Royball
5,101,537 A	4/1992	Cummings

(57) **CLAIM**  
The ornamental design for a handle of a ratchet assembly, as shown and described.

**DESCRIPTION**

FIG. 1 is a top perspective view of a handle of a ratchet assembly showing our new design; FIG. 2 is a side view thereof; FIG. 3 is a top view thereof; FIG. 4 is a bottom view thereof; FIG. 5 is a front view thereof; and, FIG. 6 is a rear view thereof. The broken lines in the figures are included for the purpose of illustrating portions of a ratchet assembly and a handle of the ratchet assembly and form no part of the claimed design.

**1 Claim, 3 Drawing Sheets**



(56)

References Cited

U.S. PATENT DOCUMENTS

6,499,723 B1	12/2002	McNarry et al.		7,434,495 B2	10/2008	Lin	
6,513,946 B2	2/2003	Hillinger et al.		7,448,596 B1	11/2008	Chang	
6,524,041 B1	2/2003	Voiculescu		7,651,072 B1	1/2010	Chang	
6,532,846 B2	3/2003	Lin		7,789,603 B2*	9/2010	Huck	410/100
6,648,301 B2	11/2003	Lee		7,877,846 B1	2/2011	Chen	
6,654,987 B1	12/2003	Wu		7,909,306 B2	3/2011	Adcock	
6,682,053 B1	1/2004	Chou		D642,031 S	7/2011	Pehar et al.	
6,708,953 B1	3/2004	Chang		2004/0108497 A1	6/2004	Hess et al.	
D489,246 S	5/2004	Bolieu		2008/0104811 A1	5/2008	Burrows et al.	
6,769,155 B2	8/2004	Hess et al.		2008/0201922 A1	8/2008	Ruan	
6,799,751 B1	10/2004	Anderson		2008/0232922 A1	9/2008	Chang	
D507,480 S *	7/2005	Kopp et al.	D8/383	2008/0307618 A1	12/2008	Huang	
D527,606 S	9/2006	Jackson		2009/0047091 A1*	2/2009	Huck	410/100
7,360,753 B1	4/2008	Lin		2009/0279978 A1	11/2009	Polin, Jr. et al.	
D572,100 S	7/2008	Aganian		2009/0283729 A1*	11/2009	Carlson et al.	254/218
				2010/0011542 A1	1/2010	Badrenas Buscart	
				2012/0205601 A1*	8/2012	Joubert et al.	254/217

\* cited by examiner

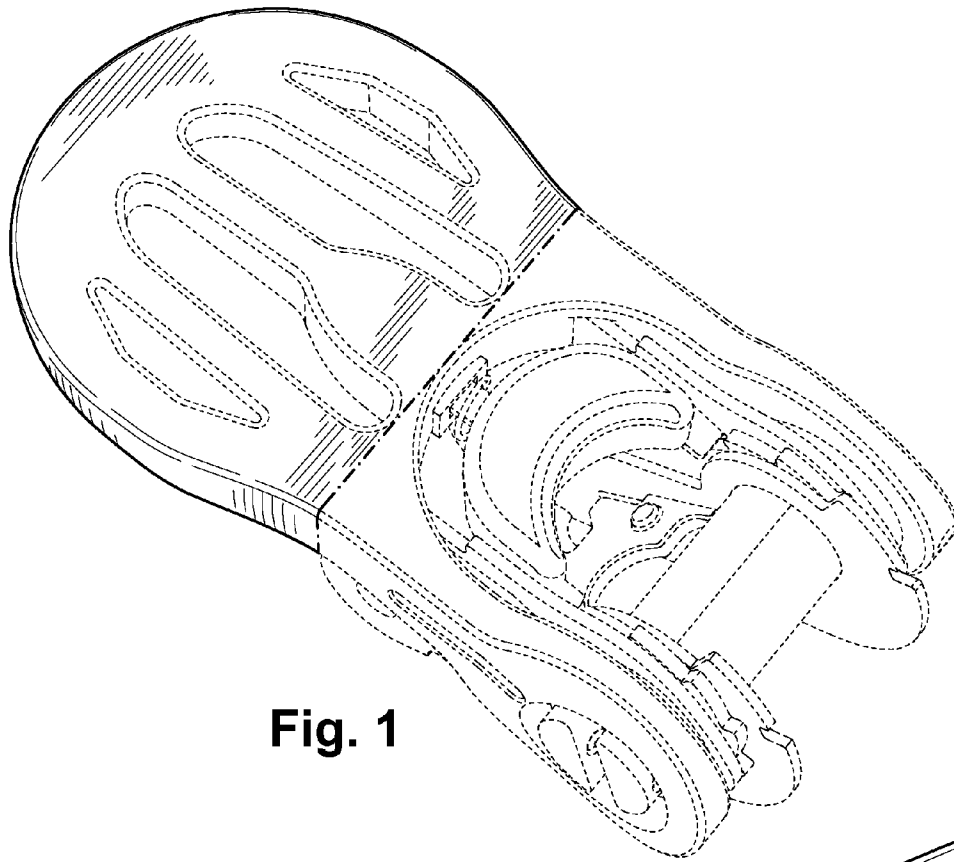


Fig. 1

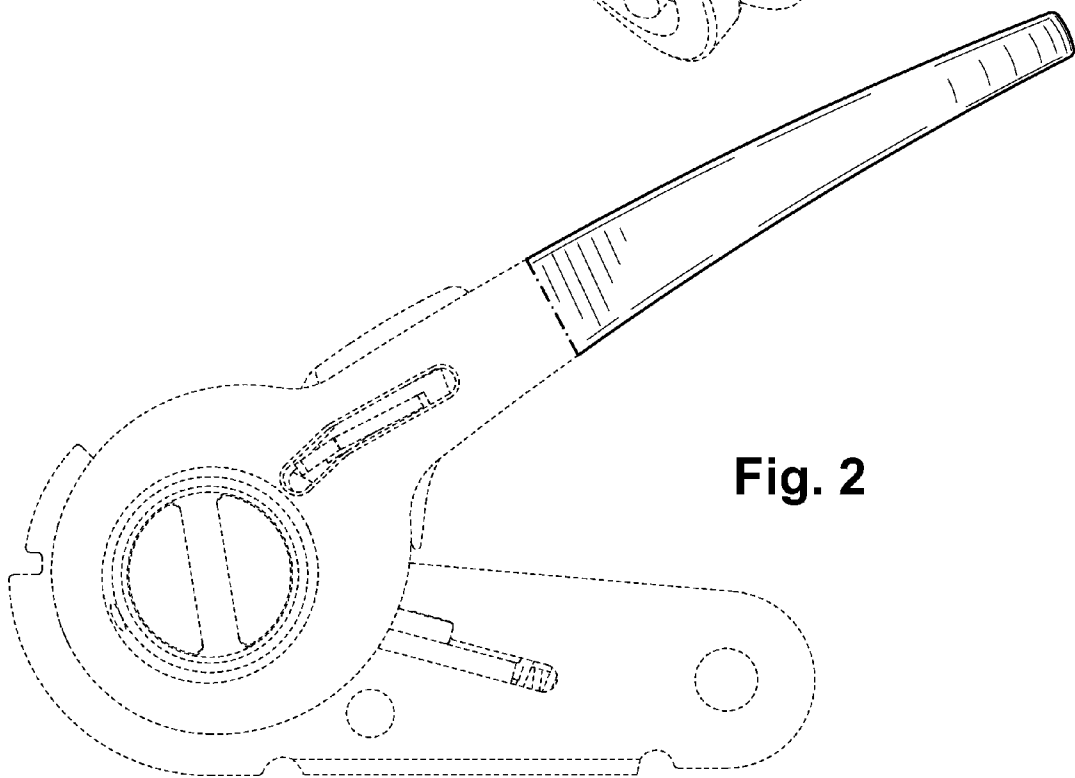


Fig. 2

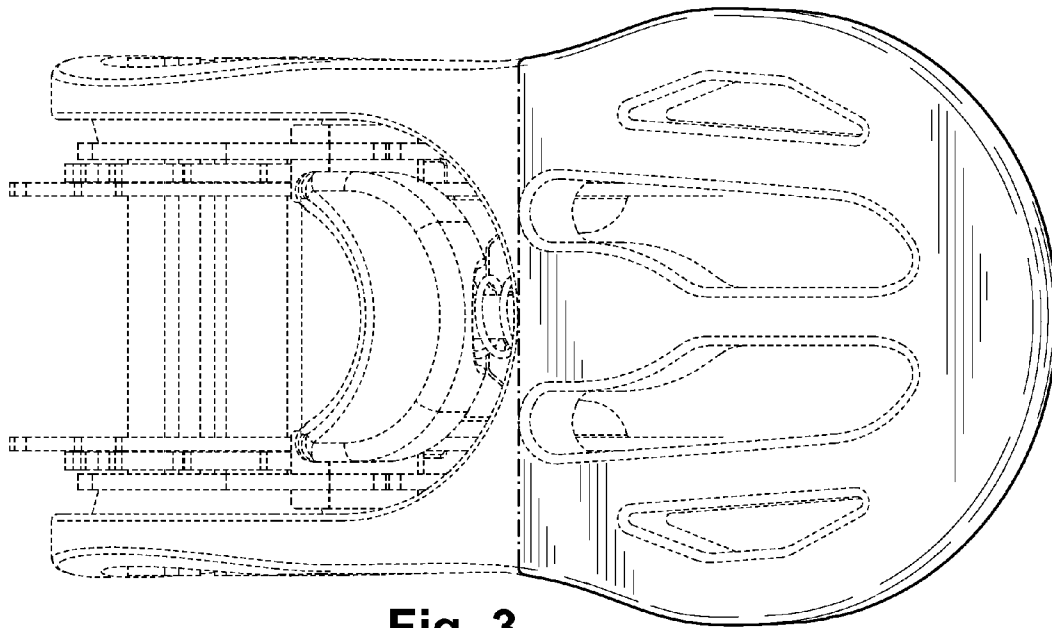


Fig. 3

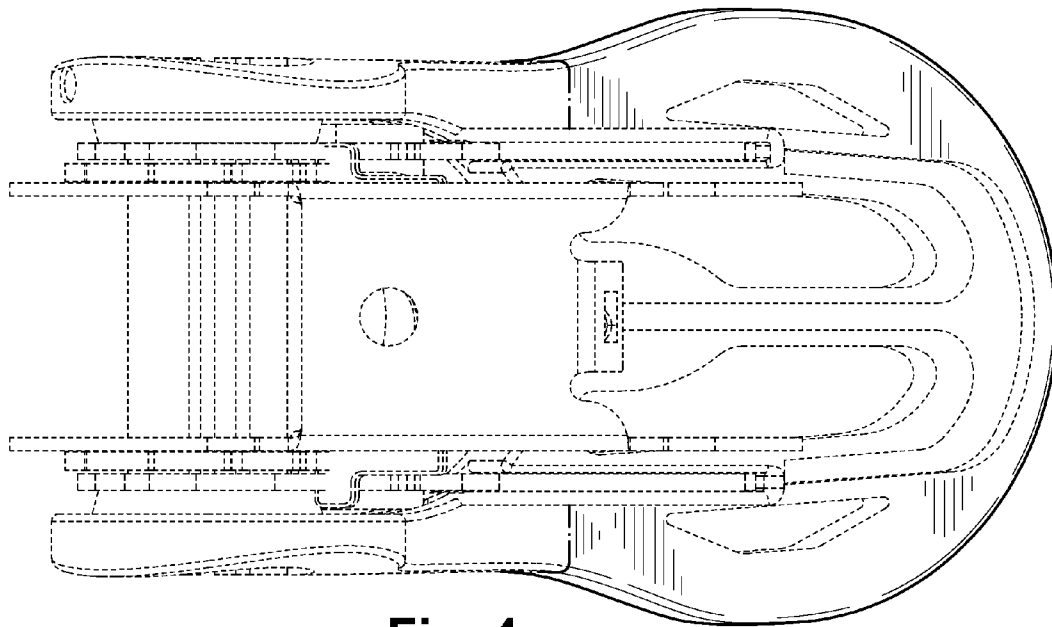


Fig. 4

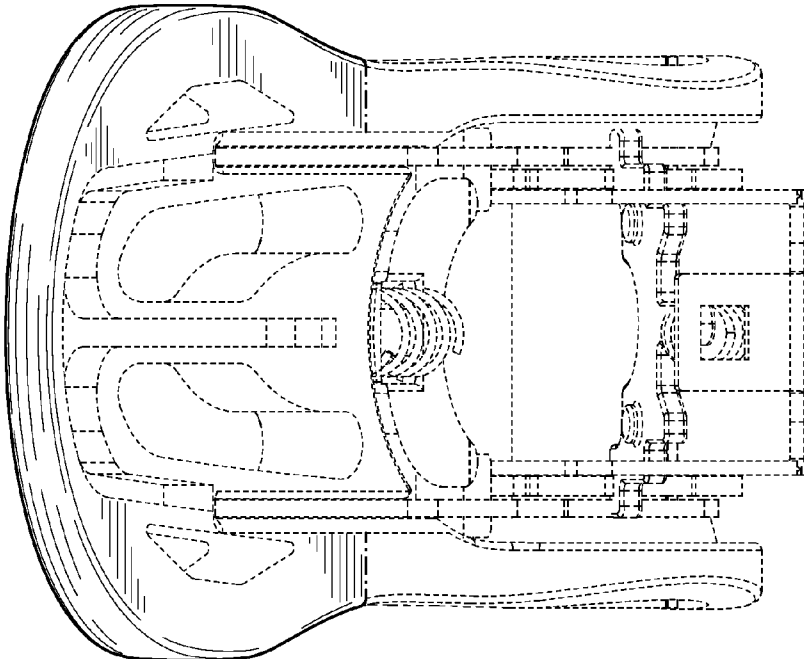


Fig. 5

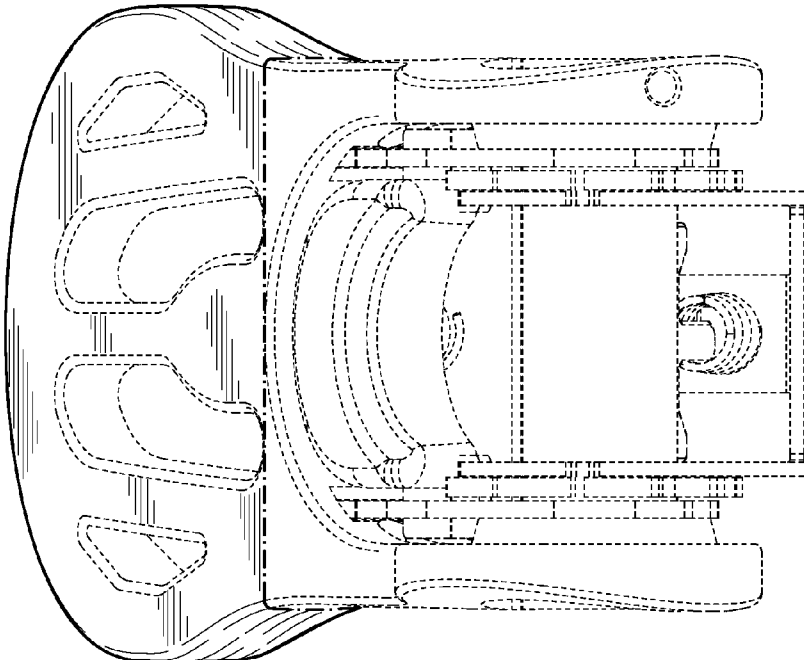


Fig. 6