



US00D714914S

(12) **United States Design Patent**
Georgeson et al.

(10) **Patent No.:** **US D714,914 S**

(45) **Date of Patent:** **** Oct. 7, 2014**

(54) **FAUCET HANDLE**

(71) Applicant: **Kohler Co.**, Kohler, WI (US)

(72) Inventors: **Paul B. Georgeson**, Sheboygan, WI (US); **Rafael A. Rexach**, Sheboygan, WI (US)

(73) Assignee: **Kohler Co.**, Kohler, WI (US)

(**) Term: **14 Years**

(21) Appl. No.: **29/486,533**

(22) Filed: **Mar. 31, 2014**

Related U.S. Application Data

(62) Division of application No. 29/472,393, filed on Nov. 12, 2013, now Pat. No. Des. 703,793, which is a division of application No. 29/447,075, filed on Feb. 28, 2013, now Pat. No. Des. 697,178.

(51) **LOC (10) Cl.** **23-01**

(52) **U.S. Cl.**
USPC **D23/252**

(58) **Field of Classification Search**
USPC D23/238, 241–243, 249–250, 252, 254;
4/675–678; 137/801

See application file for complete search history.

(56) **References Cited**

U.S. PATENT DOCUMENTS

4,901,380 A 2/1990 Smith
D310,557 S 9/1990 Smith

D495,788 S 9/2004 Helmsie et al.
D576,262 S 9/2008 Ishiyama et al.
D628,683 S 12/2010 Andrew et al.
D629,089 S 12/2010 Yoo et al.

Primary Examiner — Robert Delehanty

(74) *Attorney, Agent, or Firm* — Foley & Lardner LLP

(57) **CLAIM**

We claim the ornamental design for a faucet handle, as shown and described.

DESCRIPTION

FIG. 1 is a perspective view of another embodiment of the claimed design;

FIG. 2 is a front view of the claimed design shown in FIG. 1;

FIG. 3 is a rear view of the claimed design shown in FIG. 1;

FIG. 4 is a side view of the claimed design shown in FIG. 1;

FIG. 5 is another side view of the claimed design shown in FIG. 1;

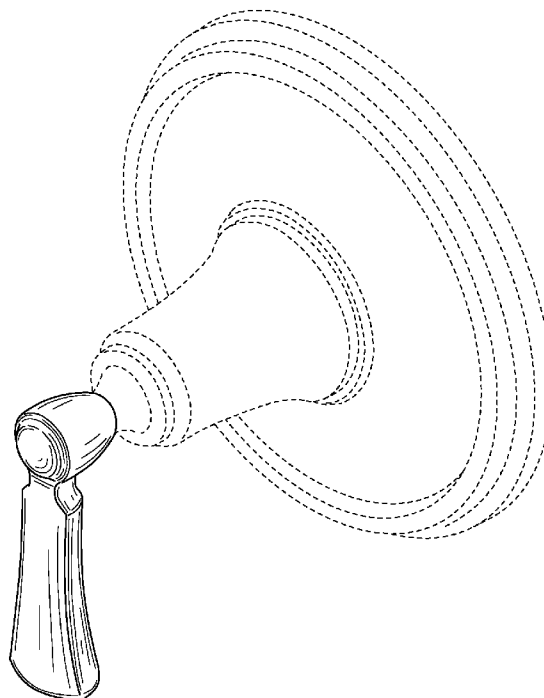
FIG. 6 is a top view of the claimed design shown in FIG. 1;

and,

FIG. 7 is a bottom view of the claimed design shown in FIG. 1.

The ornamental design which is claimed is shown in solid lines in the drawings. The broken lines in the drawings are for illustrative purposes only and form no part of the claimed design.

1 Claim, 7 Drawing Sheets



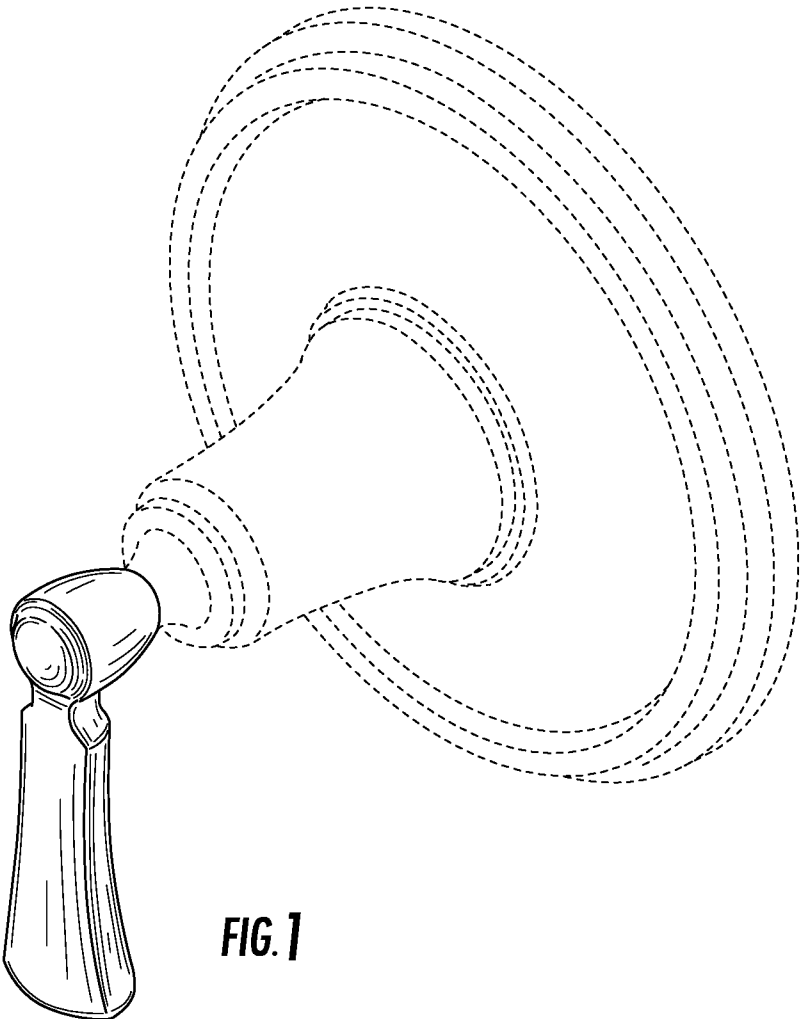


FIG. 1

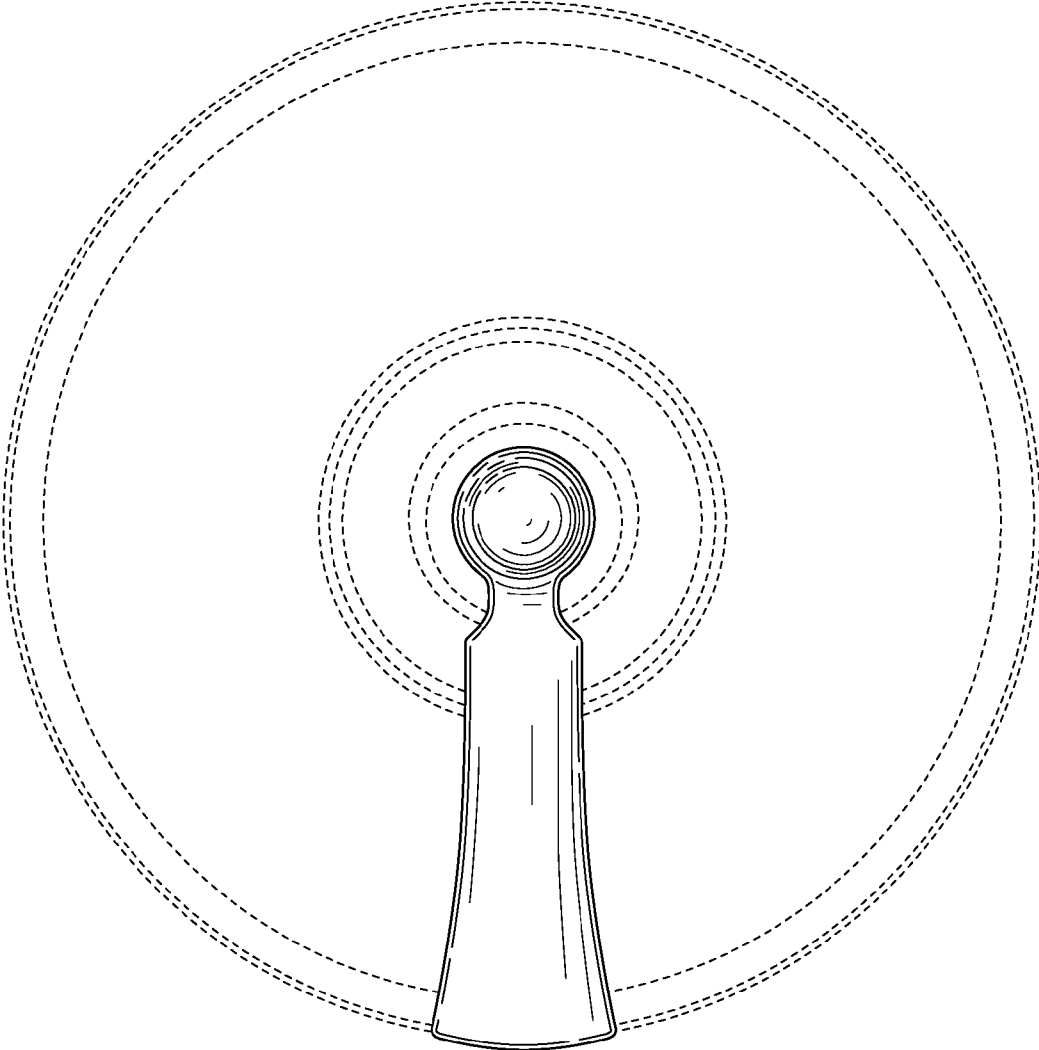


FIG. 2

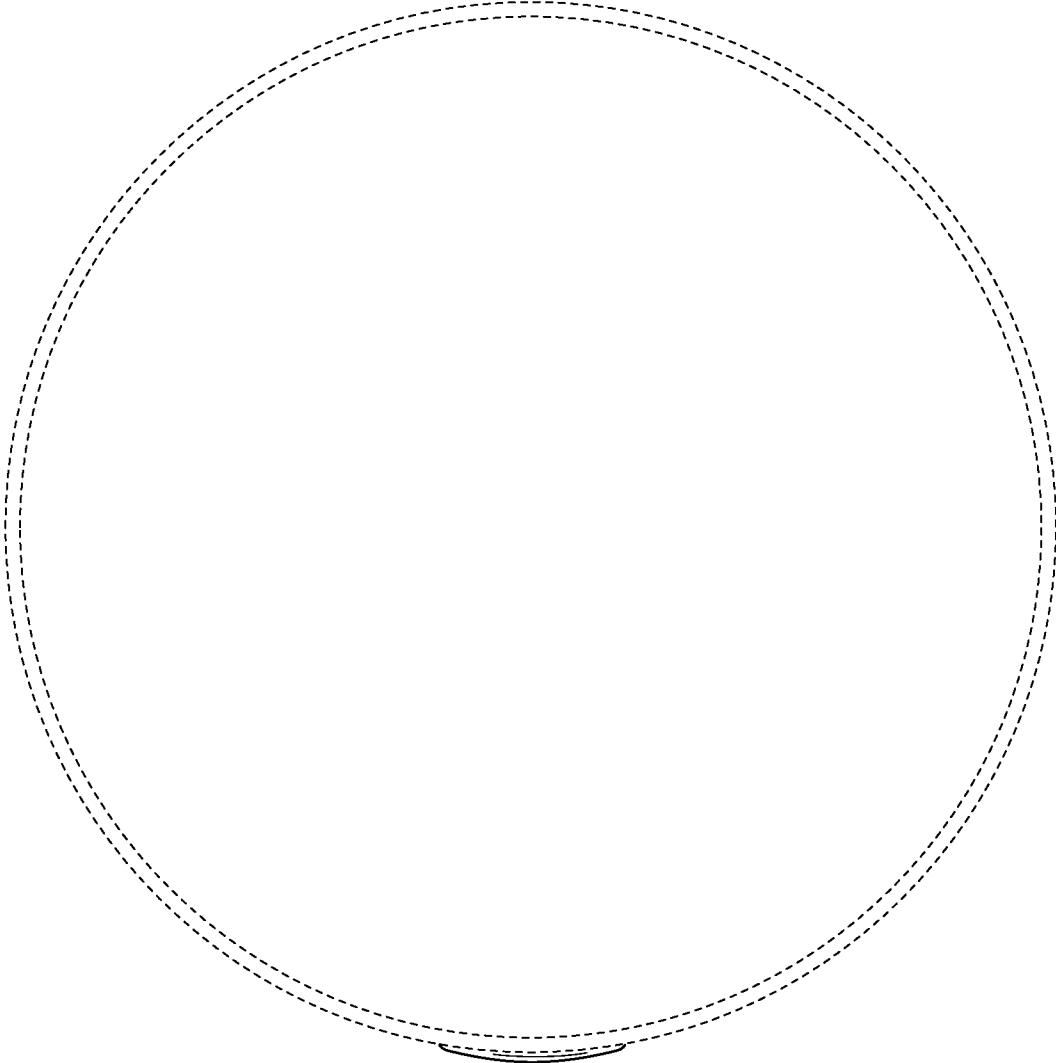


FIG. 3

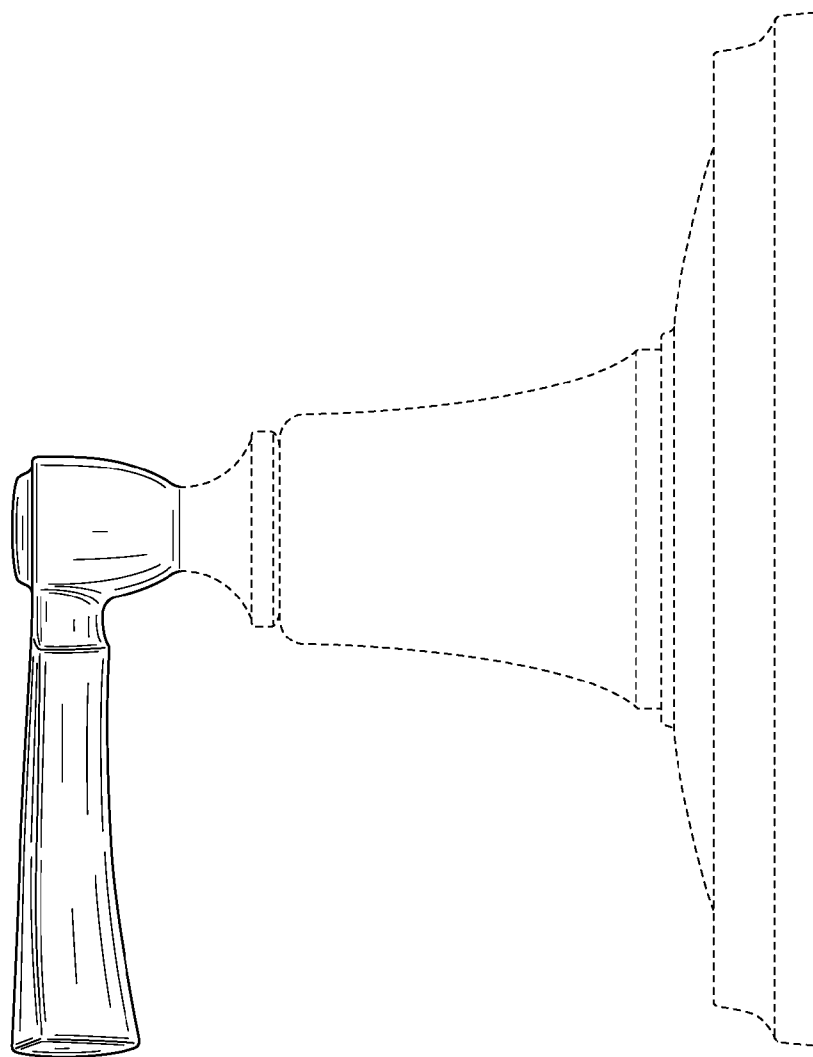


FIG. 4

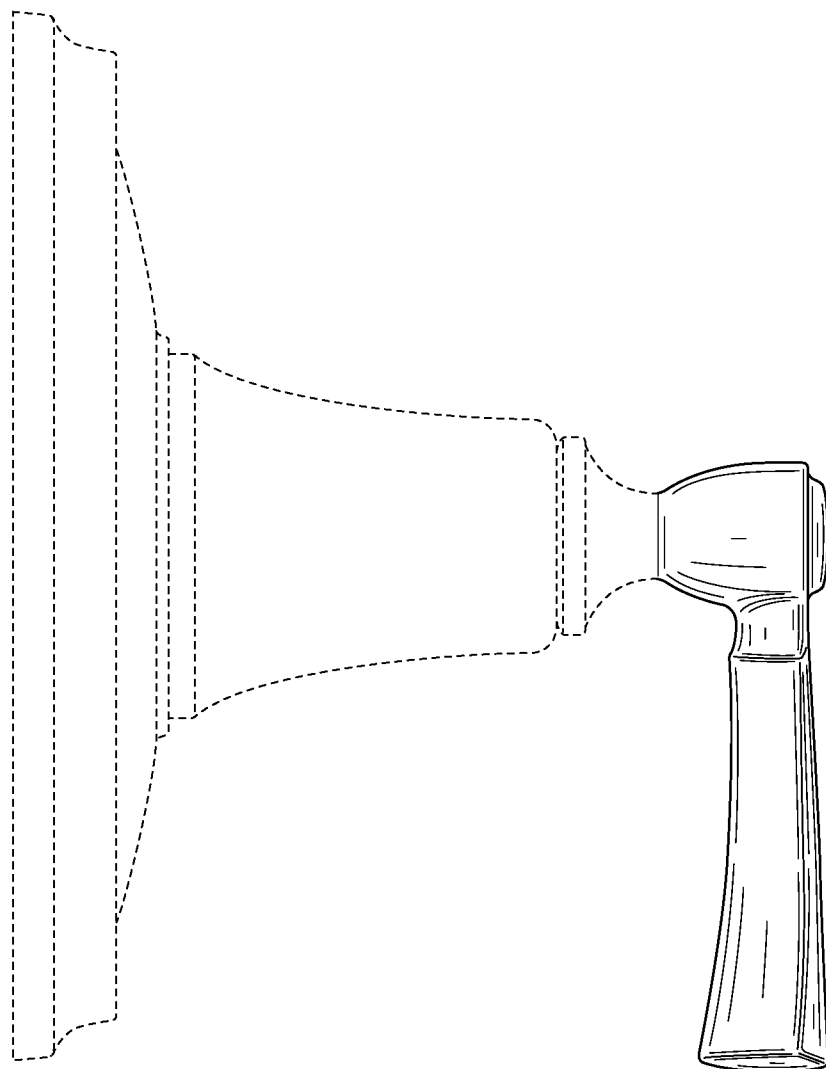


FIG. 5

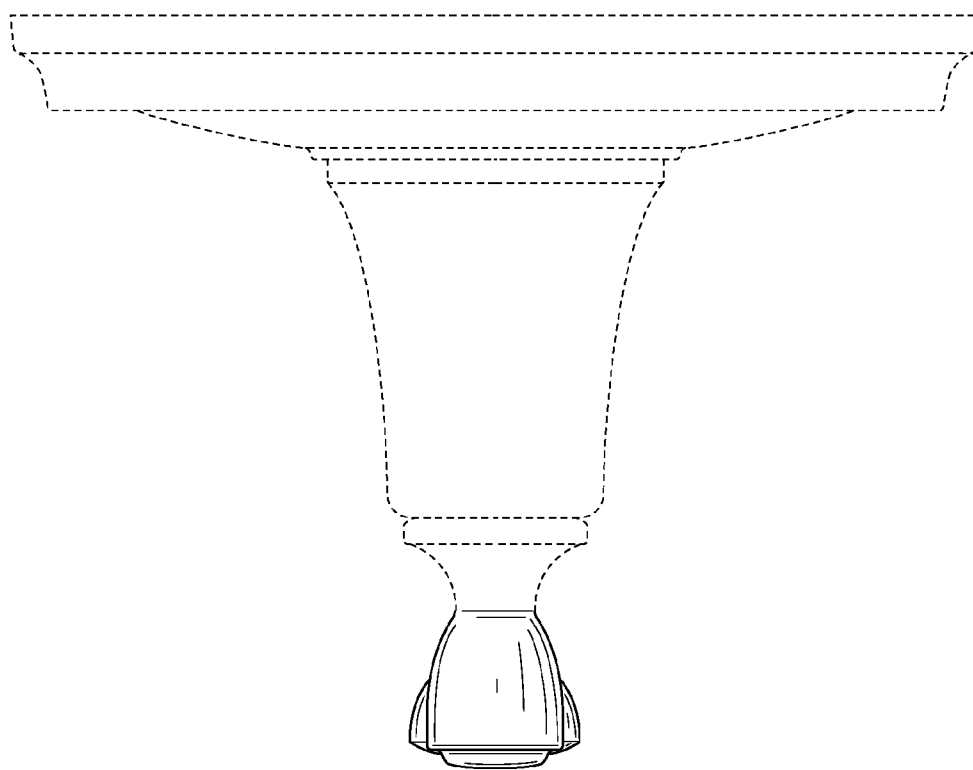


FIG. 6

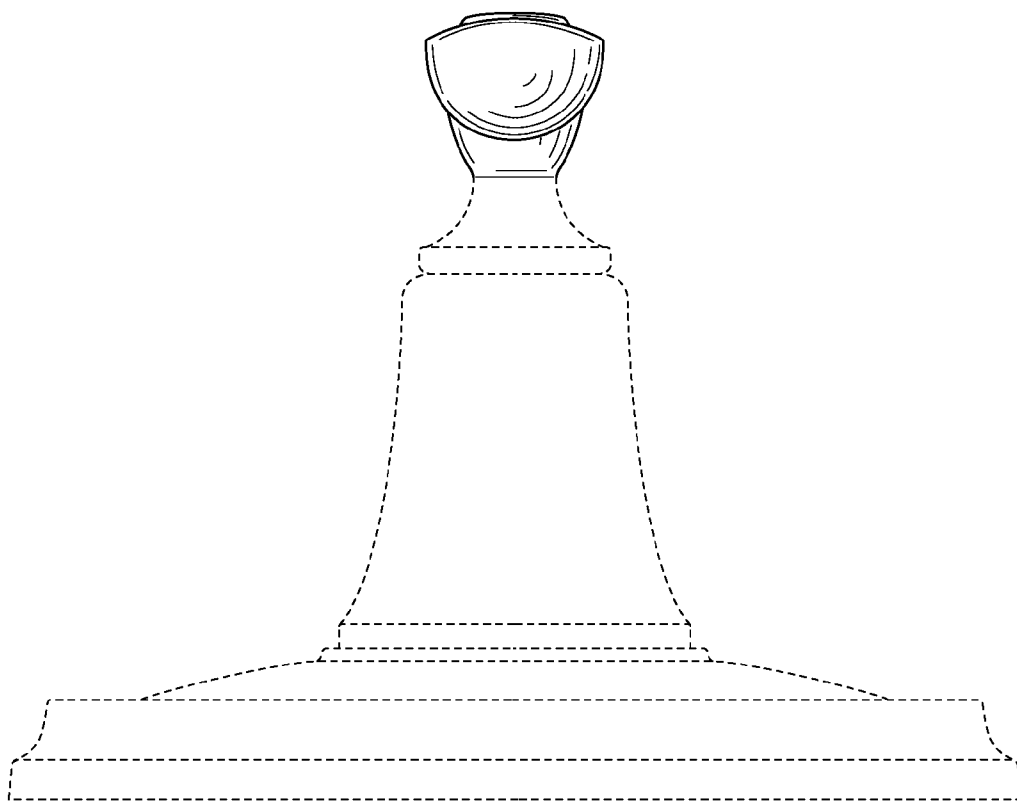


FIG. 7