



US00D527379S

(12) **United States Design Patent**
Oe et al.

(10) **Patent No.:** **US D527,379 S**

(45) **Date of Patent:** **** Aug. 29, 2006**

(54) **CELL PHONE**

(75) Inventors: **Yutaka Oe**, Tokyo (JP); **Nobuyuki Enomoto**, Kyoto (JP); **Fuuji Asada**, Kyoto (JP); **Shigetaka Kanai**, Kyoto (JP)

(73) Assignee: **Vodafone K.K.**, Tokyo (JP)

(**) Term: **14 Years**

(21) Appl. No.: **29/191,124**

(22) Filed: **Sep. 30, 2003**

(30) **Foreign Application Priority Data**

Mar. 31, 2003 (JP) 2003-008920

(51) **LOC (8) Cl.** **14-03**

(52) **U.S. Cl.** **D14/248**

(58) **Field of Classification Search** D14/137, D14/138, 147-148, 247-248, 144, 341-347; 379/433.01-433.13, 434; 455/550.1-90.3, 455/575.3, 566, 575.1; D21/517; 345/169; 348/373-376; D16/208

See application file for complete search history.

(56) **References Cited**

U.S. PATENT DOCUMENTS

D459,326	S	*	6/2002	Nagai et al.	D14/138
6,466,202	B1	*	10/2002	Suso et al.	345/169
D489,344	S	*	5/2004	Lee et al.	D14/138
D493,440	S	*	7/2004	Chou et al.	D14/138
D496,016	S	*	9/2004	Hoo	D14/138
D498,468	S	*	11/2004	Seo	D14/138
D501,457	S	*	2/2005	Lee et al.	D14/138
D502,161	S	*	2/2005	Kim et al.	D14/138
2001/0003707	A1	*	6/2001	Moriya	455/566
2003/0040346	A1	*	2/2003	Fukuda et al.	455/575
2003/0125079	A1	*	7/2003	Park et al.	455/556
2003/0174240	A1	*	9/2003	Wada et al.	348/374
2003/0199290	A1	*	10/2003	Viertola	455/575.1
2003/0216157	A1	*	11/2003	Wang et al.	455/575.1
2003/0228847	A1	*	12/2003	Mastsumoto	455/90.3
2004/0009789	A1	*	1/2004	Park et al.	455/556.1
2004/0014490	A1	*	1/2004	Muramatsu et al.	455/550.1

2004/0102225	A1	*	5/2004	Furuta et al.	455/566
2004/0116166	A1	*	6/2004	Makishima	455/575.1
2004/0166907	A1	*	8/2004	Yajima	455/575.3
2004/0209641	A1	*	10/2004	Hong	455/550.1
2005/0003871	A1	*	1/2005	Shiue et al.	455/575.3
2005/0070328	A1	*	3/2005	Wang et al.	455/556.1

FOREIGN PATENT DOCUMENTS

WO DM/066166 * 12/2004

* cited by examiner

Primary Examiner—Jeffrey Asch

(74) *Attorney, Agent, or Firm*—Pitney Hardin LLP

(57) **CLAIM**

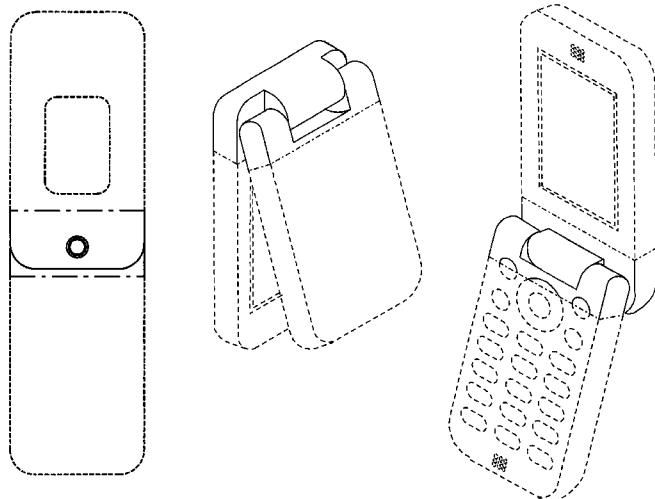
The ornamental design for a cell phone, as shown and described.

DESCRIPTION

FIG. 1 is a front view of our ornamental cell phone design depicted in the closed condition;
 FIG. 2 is a rear view thereof;
 FIG. 3 is a right side view thereof;
 FIG. 4 is a left side view thereof;
 FIG. 5 is a top plan view thereof;
 FIG. 6 is a bottom plan view thereof;
 FIG. 7 is a front view of our ornamental cell phone design similar to FIG. 1 but depicted in the open condition;
 FIG. 8 is a rear view thereof;
 FIG. 9 is a right side view thereof, the left side being the same;
 FIG. 10 is a side view thereof depicting the rotation between the FIG. 3 and 9 positions;
 FIG. 11 is a perspective view depicting the hinge area of FIG. 2; but in a partially open position; and,
 FIG. 12 is a perspective view depicting the hinge area of FIG. 7, but in a partially open position.

The broken line showings of portions of the cell phone throughout the views are for illustrative purposes only and form no part of the claimed design. The uneven, short-dash long-dash lines indicate the boundary of, but form no part of, the claimed design.

1 Claim, 12 Drawing Sheets



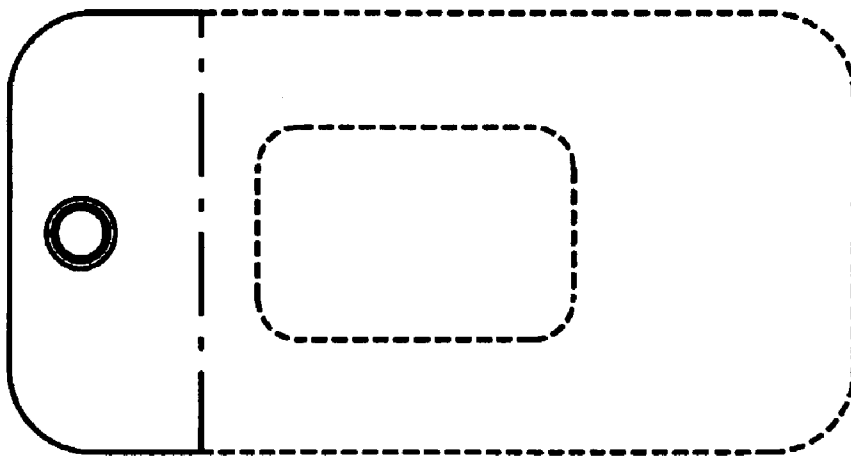


Fig. 1

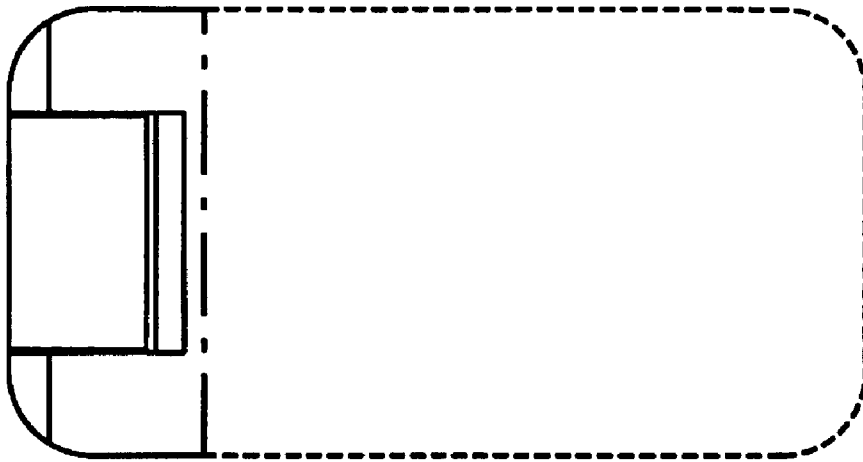


Fig. 2

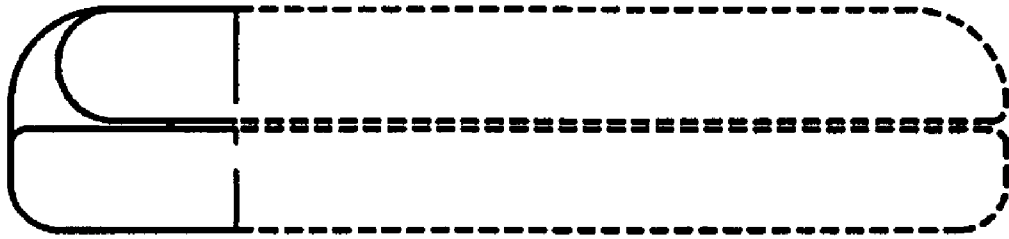


Fig. 3

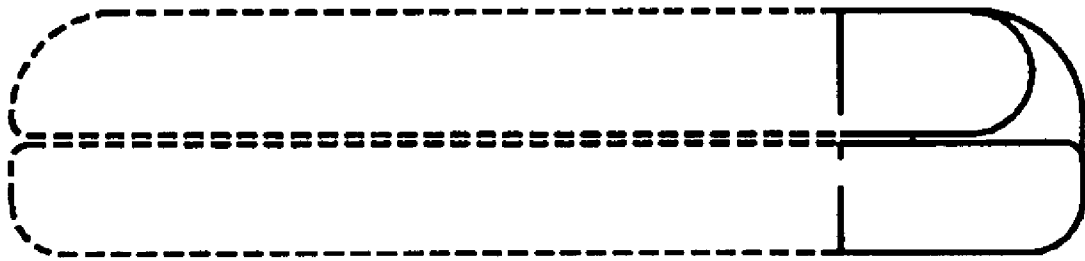


Fig. 4

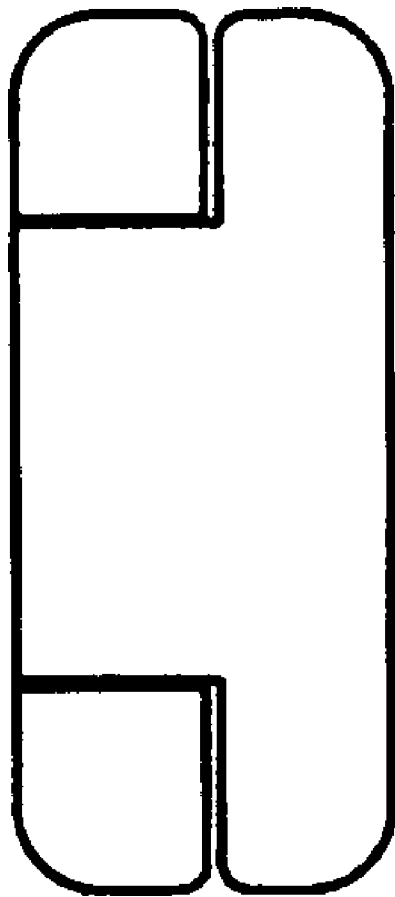


Fig. 5

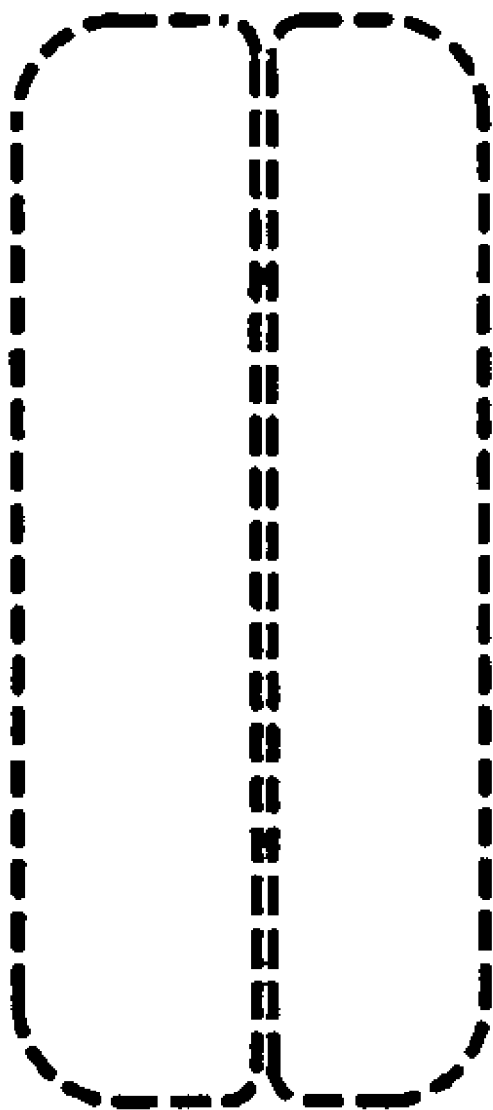


Fig. 6

Fig. 7

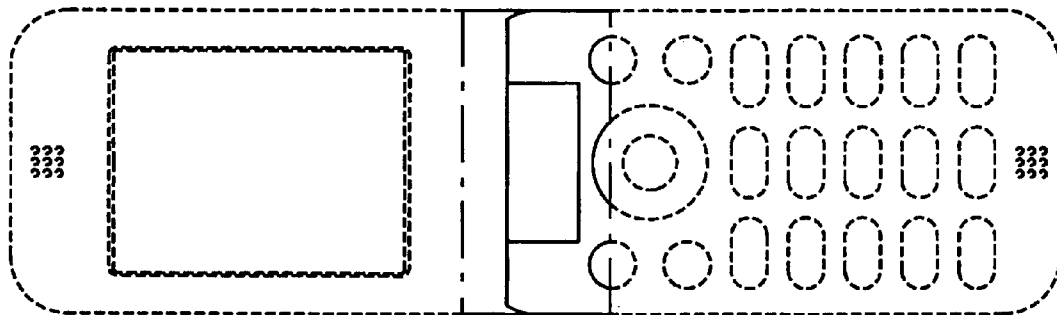
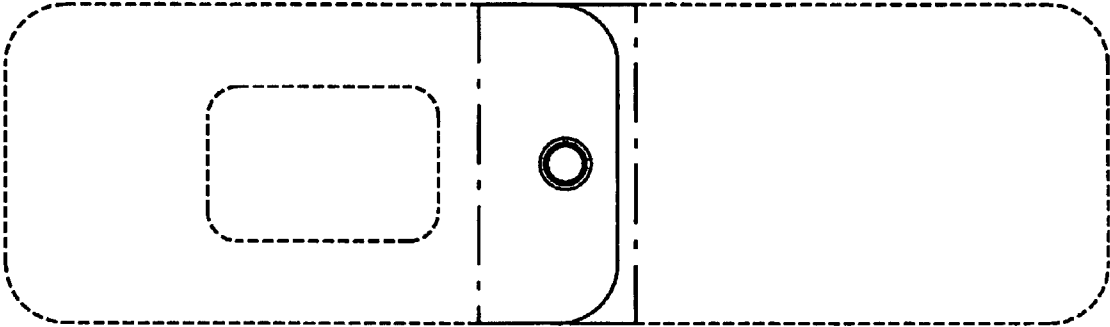


Fig. 8



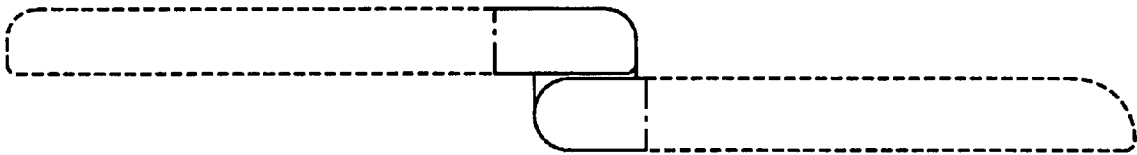


Fig. 9

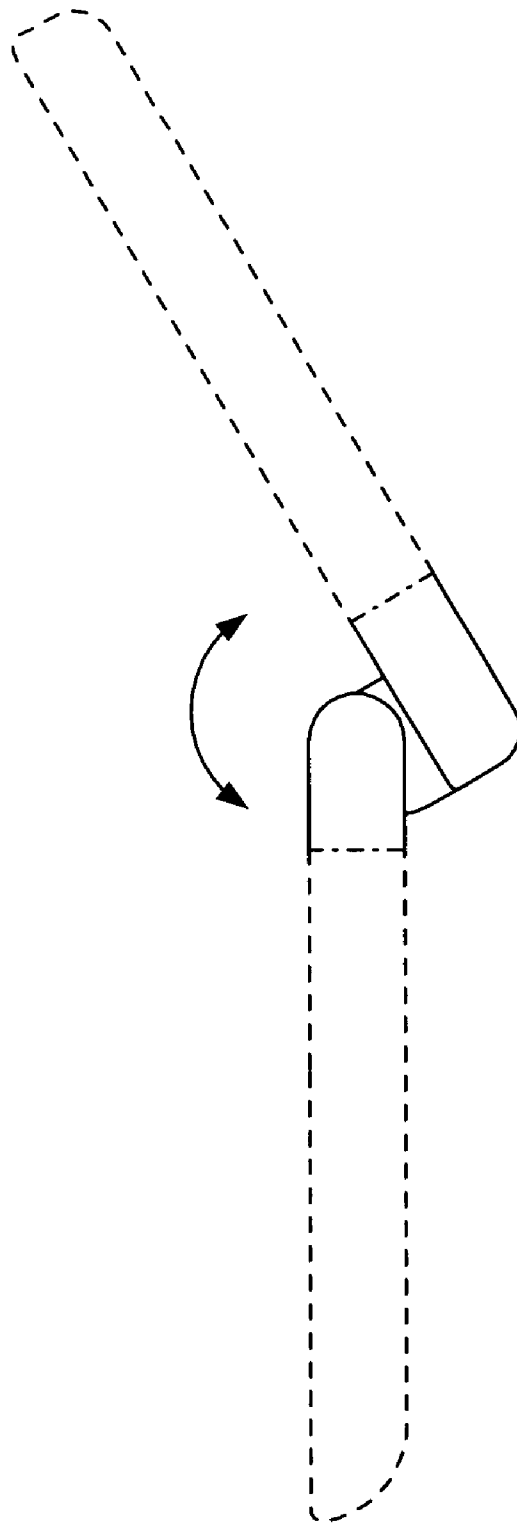


FIG. 10

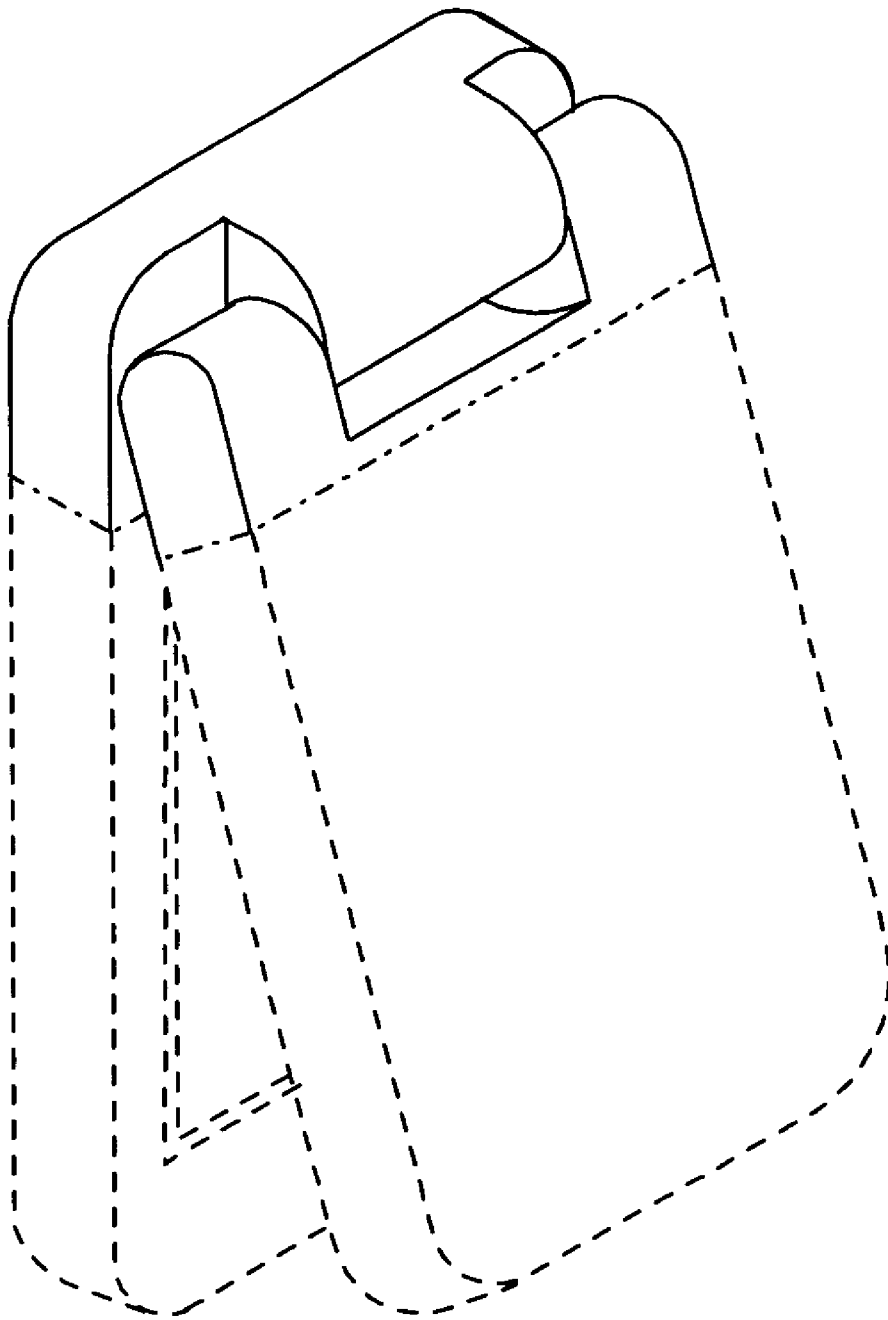


FIG. 11

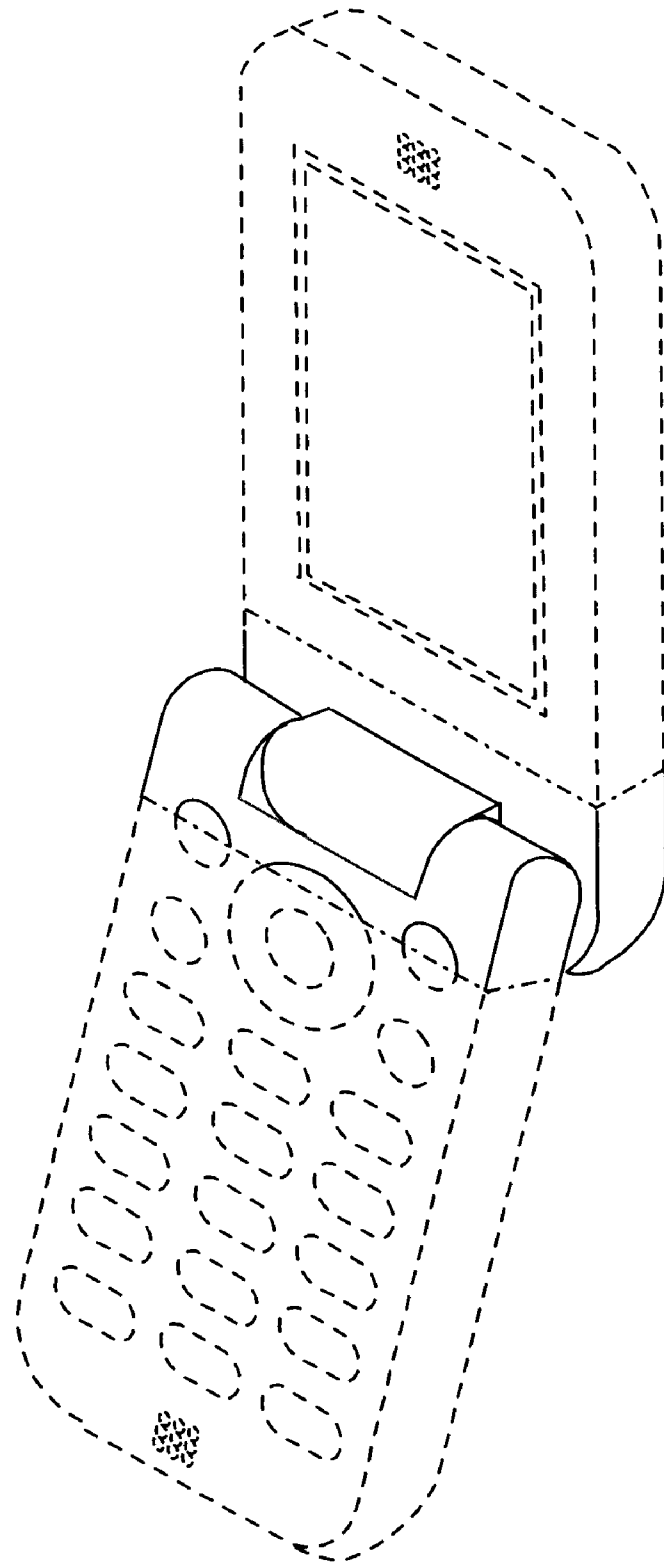


FIG. 12