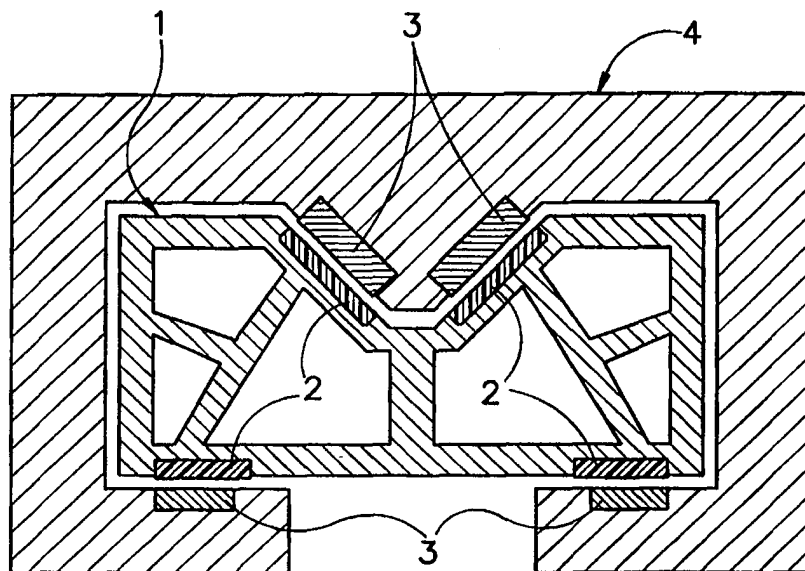




INTERNATIONAL APPLICATION PUBLISHED UNDER THE PATENT COOPERATION TREATY (PCT)

<p>(51) International Patent Classification⁶ : F16C 29/02</p>	<p>A3</p>	<p>(11) International Publication Number: WO 98/29668</p> <p>(43) International Publication Date: 9 July 1998 (09.07.98)</p>
<p>(21) International Application Number: PCT/EP97/07288</p> <p>(22) International Filing Date: 22 December 1997 (22.12.97)</p> <p>(30) Priority Data: MI96A002764 31 December 1996 (31.12.96) IT</p> <p>(71) Applicants (for all designated States except US): INPECO S.R.L. [IT/IT]; Via G. Di Vittorio, 11, I-20090 Segrate (IT). COORD 3 COSTRUZIONI MACCHINE UTENSILI SPECIALI S.A.S. DI BERRI & C. [IT/IT]; Strada Statale del Moncenisio, Km. 42200, I-10050 Bruzolo di Susa (IT).</p> <p>(72) Inventors; and</p> <p>(75) Inventors/Applicants (for US only): PEDRAZZINI, Gianandrea [IT/IT]; Residenza Querce, 822, Milano 2, I-20090 Segrate (IT). BERRI, Michele [IT/IT]; Via al Castello, 19, I-10090 Rivoli (IT).</p> <p>(74) Agent: MITTLER, Enrico; Mittler & C. s.r.l., Viale Lombardia, 20, I-20131 Milano (IT).</p>		<p>(81) Designated States: AL, AM, AT, AU, AZ, BA, BB, BG, BR, BY, CA, CH, CN, CU, CZ, DE, DK, EE, ES, FI, GB, GE, GH, GM, GW, HU, ID, IL, IS, JP, KE, KG, KP, KR, KZ, LC, LK, LR, LS, LT, LU, LV, MD, MG, MK, MN, MW, MX, NO, NZ, PL, PT, RO, RU, SD, SE, SG, SI, SK, SL, TJ, TM, TR, TT, UA, UG, US, UZ, VN, YU, ZW, ARIPO patent (GH, GM, KE, LS, MW, SD, SZ, UG, ZW), Eurasian patent (AM, AZ, BY, KG, KZ, MD, RU, TJ, TM), European patent (AT, BE, CH, DE, DK, ES, FI, FR, GB, GR, IE, IT, LU, MC, NL, PT, SE), OAPI patent (BF, BJ, CF, CG, CI, CM, GA, GN, ML, MR, NE, SN, TD, TG).</p> <p>Published <i>With international search report.</i></p> <p>(88) Date of publication of the international search report: 3 September 1998 (03.09.98)</p>

(54) Title: PROCESS FOR THE MANUFACTURE OF A BASE FOR PNEUMOSTATICALLY SUPPORTED SLIDING OF MOBILE CARS, IN PARTICULAR FOR MEASURING AND/OR AUTOMATION EQUIPMENTS, AND BASE OBTAINED WITH SAID PROCESS



(57) Abstract

The process provides for the employment of a metallic support (1) provided with channels (5) to accommodate sliding tracks (2) for pneumostatically supported slippers of a mobile car. The tracks are made by application of a respective layer of resin (2, 12) on the bottom of a respective channel (5) and subsequent mechanical machining of the same until the desired characteristics of planarity and parallelism are obtained. The layer of resin can be obtained by pouring resin (2) inside a channel (5) with a preventively roughed background or by gluing a previously formed layer of resin (12).

FOR THE PURPOSES OF INFORMATION ONLY

Codes used to identify States party to the PCT on the front pages of pamphlets publishing international applications under the PCT.

AL	Albania	ES	Spain	LS	Lesotho	SI	Slovenia
AM	Armenia	FI	Finland	LT	Lithuania	SK	Slovakia
AT	Austria	FR	France	LU	Luxembourg	SN	Senegal
AU	Australia	GA	Gabon	LV	Latvia	SZ	Swaziland
AZ	Azerbaijan	GB	United Kingdom	MC	Monaco	TD	Chad
BA	Bosnia and Herzegovina	GE	Georgia	MD	Republic of Moldova	TG	Togo
BB	Barbados	GH	Ghana	MG	Madagascar	TJ	Tajikistan
BE	Belgium	GN	Guinea	MK	The former Yugoslav Republic of Macedonia	TM	Turkmenistan
BF	Burkina Faso	GR	Greece			TR	Turkey
BG	Bulgaria	HU	Hungary	ML	Mali	TT	Trinidad and Tobago
BJ	Benin	IE	Ireland	MN	Mongolia	UA	Ukraine
BR	Brazil	IL	Israel	MR	Mauritania	UG	Uganda
BY	Belarus	IS	Iceland	MW	Malawi	US	United States of America
CA	Canada	IT	Italy	MX	Mexico	UZ	Uzbekistan
CF	Central African Republic	JP	Japan	NE	Niger	VN	Viet Nam
CG	Congo	KE	Kenya	NL	Netherlands	YU	Yugoslavia
CH	Switzerland	KG	Kyrgyzstan	NO	Norway	ZW	Zimbabwe
CI	Côte d'Ivoire	KP	Democratic People's Republic of Korea	NZ	New Zealand		
CM	Cameroon	KR	Republic of Korea	PL	Poland		
CN	China	KZ	Kazakhstan	PT	Portugal		
CU	Cuba	LC	Saint Lucia	RO	Romania		
CZ	Czech Republic	LI	Liechtenstein	RU	Russian Federation		
DE	Germany	LK	Sri Lanka	SD	Sudan		
DK	Denmark	LR	Liberia	SE	Sweden		
EE	Estonia			SG	Singapore		

INTERNATIONAL SEARCH REPORT

International Application No
PCT/EP 97/07288

A. CLASSIFICATION OF SUBJECT MATTER
IPC 6 F16C29/02

According to International Patent Classification (IPC) or to both national classification and IPC

B. FIELDS SEARCHED

Minimum documentation searched (classification system followed by classification symbols)

IPC 6 F16C

Documentation searched other than minimum documentation to the extent that such documents are included in the fields searched

Electronic data base consulted during the international search (name of data base and, where practical, search terms used)

C. DOCUMENTS CONSIDERED TO BE RELEVANT

Category *	Citation of document, with indication, where appropriate, of the relevant passages	Relevant to claim No.
Y	DE 22 23 173 A (WOTAN WERKE GMBH) 22 November 1973 see the whole document	1
A	---	2, 3, 5, 6
Y	DE 88 09 689 U (R. BOSCH GMBH) 23 November 1989 see claims 1-5; figure 1	1
A	---	4, 7
A	US 4 773 769 A (CHURCH JERRALD W) 27 September 1988 see column 3, line 35 - line 61; figure 2	1
A	US 2 989 352 A (A.O. SCHMIDT) 20 June 1961 see column 2, line 46 - column 3, line 43; figure 3.4	1
	--- -/--	

Further documents are listed in the continuation of box C.

Patent family members are listed in annex.

* Special categories of cited documents :

- "A" document defining the general state of the art which is not considered to be of particular relevance
- "E" earlier document but published on or after the international filing date
- "L" document which may throw doubts on priority claim(s) or which is cited to establish the publication date of another citation or other special reason (as specified)
- "O" document referring to an oral disclosure, use, exhibition or other means
- "P" document published prior to the international filing date but later than the priority date claimed

- "T" later document published after the international filing date or priority date and not in conflict with the application but cited to understand the principle or theory underlying the invention
- "X" document of particular relevance; the claimed invention cannot be considered novel or cannot be considered to involve an inventive step when the document is taken alone
- "Y" document of particular relevance; the claimed invention cannot be considered to involve an inventive step when the document is combined with one or more other such documents, such combination being obvious to a person skilled in the art.
- "&" document member of the same patent family

Date of the actual completion of the international search

18 June 1998

Date of mailing of the international search report

01/07/1998

Name and mailing address of the ISA

European Patent Office, P.B. 5818 Patentlaan 2
NL - 2280 HV Rijswijk
Tel. (+31-70) 340-2040, Tx. 31 651 epo nl,
Fax: (+31-70) 340-3016

Authorized officer

Hoffmann, M

INTERNATIONAL SEARCH REPORT

International Application No

PCT/EP 97/07288

C.(Continuation) DOCUMENTS CONSIDERED TO BE RELEVANT		
Category °	Citation of document, with indication, where appropriate, of the relevant passages	Relevant to claim No.
A	DD 130 069 A (FAHRENSCHON PETER;UHLIG CHRISTIAN; LEHMANN HORST) 1 March 1978 see claims 1,2; figures 1-3 -----	1
A	US 4 657 734 A (YAMADA HIROYASU ET AL) 14 April 1987 see claims 1-17; figure 2 -----	1,5
A	EP 0 411 430 A (CHIRON-WERKE GMBH & CO KG) 6 February 1991 see claim 1; figure 3 -----	1

INTERNATIONAL SEARCH REPORT

Information on patent family members

International Application No

PCT/EP 97/07288

Patent document cited in search report	A	Publication date	Patent family member(s)	Publication date
DE 2223173	A	22-11-1973	NONE	
DE 8809689	U	23-11-1989	NONE	
US 4773769	A	27-09-1988	NONE	
US 2989352	A	20-06-1961	NONE	
DD 130069	A	01-03-1978	NONE	
US 4657734	A	14-04-1987	JP 60221506 A BE 902204 A BR 8501800 A	06-11-1985 16-08-1985 10-12-1985
EP 411430	A	06-02-1991	DE 3925642 A JP 3066536 A US 5096348 A	07-02-1991 22-03-1991 17-03-1992