



(51) International Patent Classification:  
H02J 17/00 (2006.01)

(21) International Application Number:  
PCT/US2012/049777

(22) International Filing Date:  
6 August 2012 (06.08.2012)

(25) Filing Language: English

(26) Publication Language: English

(30) Priority Data:  
61/515,324 4 August 2011 (04.08.2011) US

(71) Applicant (for all designated States except US): **WITRICITY CORPORATION** [US/US]; 149 Grove Street, Waverlytown, MA 02472 (US).

(72) Inventors; and

(75) Inventors/Applicants (for US only): **KARALIS, Aristeidis** [GR/US]; 151 Tremont St., Apt. 21f, Boston, MA 02111 (US). **KESLER, Morris, P.** [US/US]; 95 Hancock Street, Bedford, MA 01730 (US). **HALL, Katherine, L.** [TR/US]; 21 Griffin Road, Westford, MA 01886 (US). **PALLO, Nathan, Andrew** [US/US]; 905 Main Street, Apartment 5, Cambridge, MA 02139 (US).

(74) Agent: **MONOCELLO, III, John, A.**; Gtc Law Group LLP & Affiliates, C/o Cpa Global, P.O. Box 52050, Minneapolis, MN 55402 (US).

(81) Designated States (unless otherwise indicated, for every kind of national protection available): AE, AG, AL, AM, AO, AT, AU, AZ, BA, BB, BG, BH, BN, BR, BW, BY, BZ, CA, CH, CL, CN, CO, CR, CU, CZ, DE, DK, DM, DO, DZ, EC, EE, EG, ES, FI, GB, GD, GE, GH, GM, GT, HN, HR, HU, ID, IL, IN, IS, JP, KE, KG, KM, KN, KP, KR, KZ, LA, LC, LK, LR, LS, LT, LU, LY, MA, MD, ME, MG, MK, MN, MW, MX, MY, MZ, NA, NG, NI, NO, NZ, OM, PE, PG, PH, PL, PT, QA, RO, RS, RU, RW, SC, SD, SE, SG, SK, SL, SM, ST, SV, SY, TH, TJ, TM, TN, TR, TT, TZ, UA, UG, US, UZ, VC, VN, ZA, ZM, ZW.

(84) Designated States (unless otherwise indicated, for every kind of regional protection available): ARIPO (BW, GH, GM, KE, LR, LS, MW, MZ, NA, RW, SD, SL, SZ, TZ, UG, ZM, ZW), Eurasian (AM, AZ, BY, KG, KZ, RU, TJ, TM), European (AL, AT, BE, BG, CH, CY, CZ, DE, DK, EE, ES, FI, FR, GB, GR, HR, HU, IE, IS, IT, LT, LU, LV, MC, MK, MT, NL, NO, PL, PT, RO, RS, SE, SI, SK, SM, TR), OAPI (BF, BJ, CF, CG, CI, CM, GA, GN, GQ, GW, ML, MR, NE, SN, TD, TG).

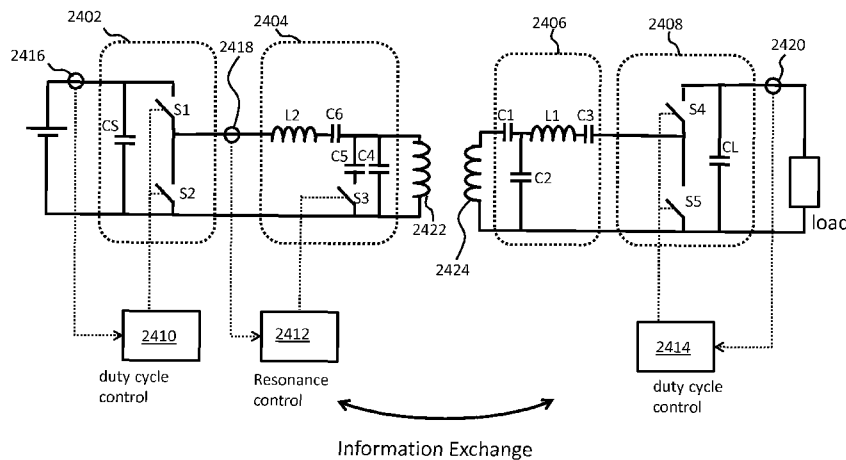
Published:

- with international search report (Art. 21(3))
- before the expiration of the time limit for amending the claims and to be republished in the event of receipt of amendments (Rule 48.2(h))

[Continued on next page]

(54) Title: TUNABLE WIRELESS POWER ARCHITECTURES

Fig. 25



(57) Abstract: Described herein are improved configurations for a wireless power transfer. The parameters of components of the wireless energy transfer system are adjusted to control the power delivered to the load at the device. The power output of the source amplifier is controlled to maintain a substantially 50% duty cycle at the rectifier of the device.

WO 2013/020138 A3

**(88)** Date of publication of the international search report:  
4 April 2013

## INTERNATIONAL SEARCH REPORT

International application No.  
**PCT/US2012/049777****A. CLASSIFICATION OF SUBJECT MATTER****H02J 17/00(2006.01)i**

According to International Patent Classification (IPC) or to both national classification and IPC

**B. FIELDS SEARCHED**

Minimum documentation searched (classification system followed by classification symbols)

H02J 17/00; H02M 3/335; H01F 38/14; H02J 7/10; H02M 3/28; H01M 10/44

Documentation searched other than minimum documentation to the extent that such documents are included in the fields searched

Korean utility models and applications for utility models

Japanese utility models and applications for utility models

Electronic data base consulted during the international search (name of data base and, where practicable, search terms used)

eKOMPASS(KIPO internal) &amp; Keywords: wireless power transfer, DC power, rectifier, inverter, amplifier

**C. DOCUMENTS CONSIDERED TO BE RELEVANT**

Category*	Citation of document, with indication, where appropriate, of the relevant passages	Relevant to claim No.
A	JP 2002-010535 A (MATSUSHITA ELECTRIC WORKS LTD.) 11 January 2002 See abstract, claims 1-25, and figures 1-26.	1-24
A	JP 10-164837 A (SONY CORP.) 19 June 1998 See abstract, claims 1-5, and figures 1-8.	1-24
A	US 2010-0109445 A1 (ANDRE B. KURS et al.) 6 May 2010 See abstract, claims 1-46, and figures 1-51.	1-24
A	JP 09-298847 A (SONY CORP.) 18 November 1997 See abstract, claims 1-3, and figures 1-2.	1-24
A	JP 2001-309580 A (MATSUSHITA ELECTRIC WORKS LTD.) 02 November 2001 See abstract, claims 1-13, and figures 1-13.	1-24
A	WO 2009-062438 A1 (CITY UNIVERSITY OF HONG KONG et al.) 22 May 2009 See abstract, claims 1-12, and figures 1-12.	1-24

 Further documents are listed in the continuation of Box C. See patent family annex.

\* Special categories of cited documents:

"A" document defining the general state of the art which is not considered to be of particular relevance

"E" earlier application or patent but published on or after the international filing date

"L" document which may throw doubts on priority claim(s) or which is cited to establish the publication date of citation or other special reason (as specified)

"O" document referring to an oral disclosure, use, exhibition or other means

"P" document published prior to the international filing date but later than the priority date claimed

"T" later document published after the international filing date or priority date and not in conflict with the application but cited to understand the principle or theory underlying the invention

"X" document of particular relevance; the claimed invention cannot be considered novel or cannot be considered to involve an inventive step when the document is taken alone

"Y" document of particular relevance; the claimed invention cannot be considered to involve an inventive step when the document is combined with one or more other such documents, such combination being obvious to a person skilled in the art

"&amp;" document member of the same patent family

Date of the actual completion of the international search

22 JANUARY 2013 (22.01.2013)

Date of mailing of the international search report

**23 JANUARY 2013 (23.01.2013)**

Name and mailing address of the ISA/KR

Korean Intellectual Property Office  
189 Cheongsu-ro, Seo-gu, Daejeon Metropolitan  
City, 302-701, Republic of Korea

Facsimile No. 82-42-472-7140

Authorized officer

PARK, Hye Lyun

Telephone No. 82-42-481-3463



## INTERNATIONAL SEARCH REPORT

Information on patent family members

International application No.

**PCT/US2012/049777**

Patent document cited in search report	Publication date	Patent family member(s)	Publication date
JP 2002-010535 A	11.01.2002	JP 4135299 B2	20.08.2008
JP 10-164837 A	19.06.1998	None	
US 2010-0109445 A1	06.05.2010	AU 2009-296413 A1	01.04.2010
		AU 2010-213557 A1	19.08.2010
		CA 2738654 A1	01.04.2010
		CA 2752573 A1	19.08.2010
		CN 102239633 A	09.11.2011
		CN 102439669 A	02.05.2012
		EP 2340611 A1	06.07.2011
		JP 2012-504387 A	16.02.2012
		JP 2012-518382 A	09.08.2012
		KR 10-2011-0074761 A	01.07.2011
		KR 10-2011-0127203 A	24.11.2011
		US 2010-0141042 A1	10.06.2010
		US 2010-0164296 A1	01.07.2010
		US 2010-0164297 A1	01.07.2010
		US 2010-0164298 A1	01.07.2010
		US 2010-0171368 A1	08.07.2010
		US 2010-0181843 A1	22.07.2010
		US 2010-0181845 A1	22.07.2010
		US 2010-0201203 A1	12.08.2010
		US 2010-0219694 A1	02.09.2010
		US 2010-0231340 A1	16.09.2010
		US 2010-0237709 A1	23.09.2010
		US 2010-0259108 A1	14.10.2010
		US 2010-0259110 A1	14.10.2010
		US 2010-0264747 A1	21.10.2010
		US 2010-0277121 A1	04.11.2010
		US 2010-0308939 A1	09.12.2010
		US 2011-0043047 A1	24.02.2011
		US 2011-0043048 A1	24.02.2011
		US 2011-0043049 A1	24.02.2011
		US 2011-0074346 A1	31.03.2011
		US 2011-0095618 A1	28.04.2011
		US 2011-0121920 A1	26.05.2011
		US 2011-0193416 A1	11.08.2011
		US 2012-0032522 A1	09.02.2012
		US 2012-0062345 A1	15.03.2012
		US 2012-0139355 A1	07.06.2012
		US 2012-0280765 A1	08.11.2012
		US 8035255 B2	11.10.2011
		US 8106539 B2	31.01.2012
		US 8304935 B2	06.11.2012
		US 8324759 B2	04.12.2012
		WO 2010-036980 A1	01.04.2010
		WO 2010-093997 A1	19.08.2010
		WO 2011-112795 A1	15.09.2011

**INTERNATIONAL SEARCH REPORT**

Information on patent family members

International application No.

**PCT/US2012/049777**

Patent document cited in search report	Publication date	Patent family member(s)	Publication date
		WO 2012-037279 A1	22.03.2012
JP 09-298847 A	18.11.1997	None	
JP 2001-309580 A	02.11.2001	JP 4140169 B2	27.08.2008
WO 2009-062438 A1	22.05.2009	CN 101971458 A	09.02.2011
		US 2009-0121675 A1	14.05.2009
		US 8228025 B2	24.07.2012