



US00D970998S

(12) **United States Design Patent**  
**Antonio et al.**

(10) **Patent No.:** **US D970,998 S**

(45) **Date of Patent:** **\*\* Nov. 29, 2022**

(54) **SHOCK ABSORBER**

(71) Applicants: **Ishmael L. Antonio**, Rio Rancho, NM (US); **Michael Herrmann**, Albuquerque, NM (US)

(72) Inventors: **Ishmael L. Antonio**, Rio Rancho, NM (US); **Michael Herrmann**, Albuquerque, NM (US)

(73) Assignee: **Ishmael L. Antonio**, Rio Rancho, NM (US)

(\*\*) Term: **15 Years**

(21) Appl. No.: **29/726,061**

(22) Filed: **Feb. 28, 2020**

(51) **LOC (13) Cl.** ..... **09-06**

(52) **U.S. Cl.**  
USPC ..... **D8/56**

(58) **Field of Classification Search**  
USPC ..... D8/356, 354, 105, 349, 367, 373, 372;  
D3/207; 248/301, 302, 303, 304, 339;  
24/599.7  
CPC ..... B65H 57/16; B63B 21/045; A63B 29/08;  
A63B 27/02; A47G 1/17; A47G 1/22;  
A47G 25/0607; F16B 45/02; F16B  
45/021; B66C 1/125; B66C 1/36; A62B  
35/0037

See application file for complete search history.

(56) **References Cited**

U.S. PATENT DOCUMENTS

D554,977 S \* 11/2007 Ravoy, Jr. .... D8/354  
D580,257 S \* 11/2008 Squyres ..... D8/349

D641,708 S \* 7/2011 Yamauchi ..... D8/396  
D800,235 S \* 10/2017 Huang ..... D21/684  
D813,016 S \* 3/2018 Deneau ..... D8/356  
D839,084 S \* 1/2019 Mikoska ..... D8/356  
D862,208 S \* 10/2019 Mezzalira ..... D8/356  
D862,804 S \* 10/2019 Bitar ..... D30/153  
D873,649 S \* 1/2020 Merten ..... D8/356  
D880,988 S \* 4/2020 Takahashi ..... D8/382  
D899,710 S \* 10/2020 MacDonald ..... D30/153  
D917,155 S \* 4/2021 Dumas ..... A45C 1/00  
D952,446 S \* 5/2022 Salotto ..... B65D 63/1018  
D3/207  
2013/0185900 A1 \* 7/2013 Campbell ..... F16G 11/101  
24/301

\* cited by examiner

*Primary Examiner* — Cynthia R Underwood

(74) *Attorney, Agent, or Firm* — Rod D. Baker

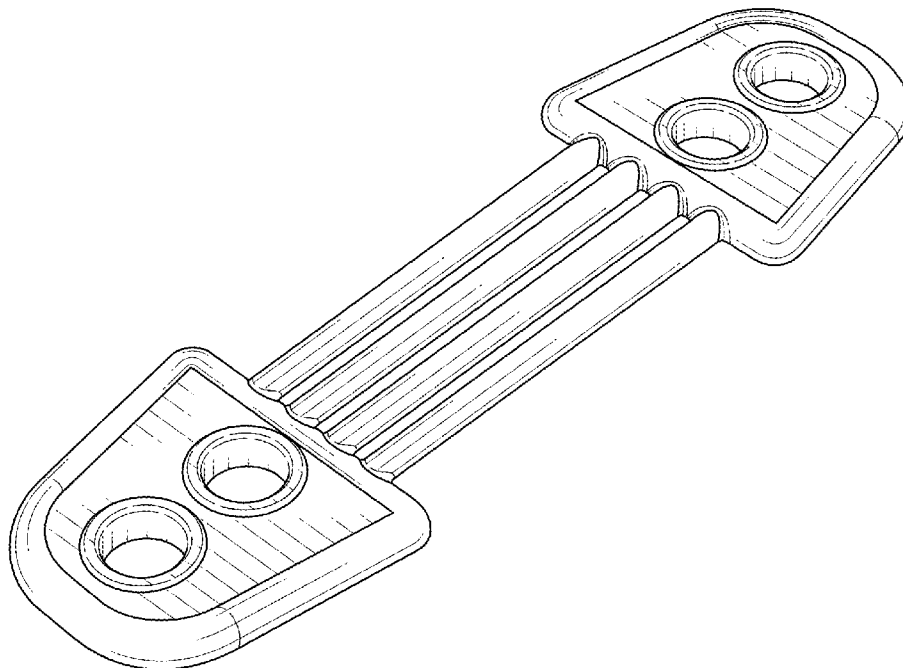
(57) **CLAIM**

We claim the ornamental design for a shock absorber, as shown.

**DESCRIPTION**

FIG. 1 is a top perspective view of the shock absorber showing my ornamental design;  
FIG. 2 is a right side elevational view thereof, the left side being a mirror image;  
FIG. 3 is a top plan view thereof, the bottom being a mirror image; and,  
FIG. 4 is a front view thereof, the back being a mirror image.

**1 Claim, 2 Drawing Sheets**



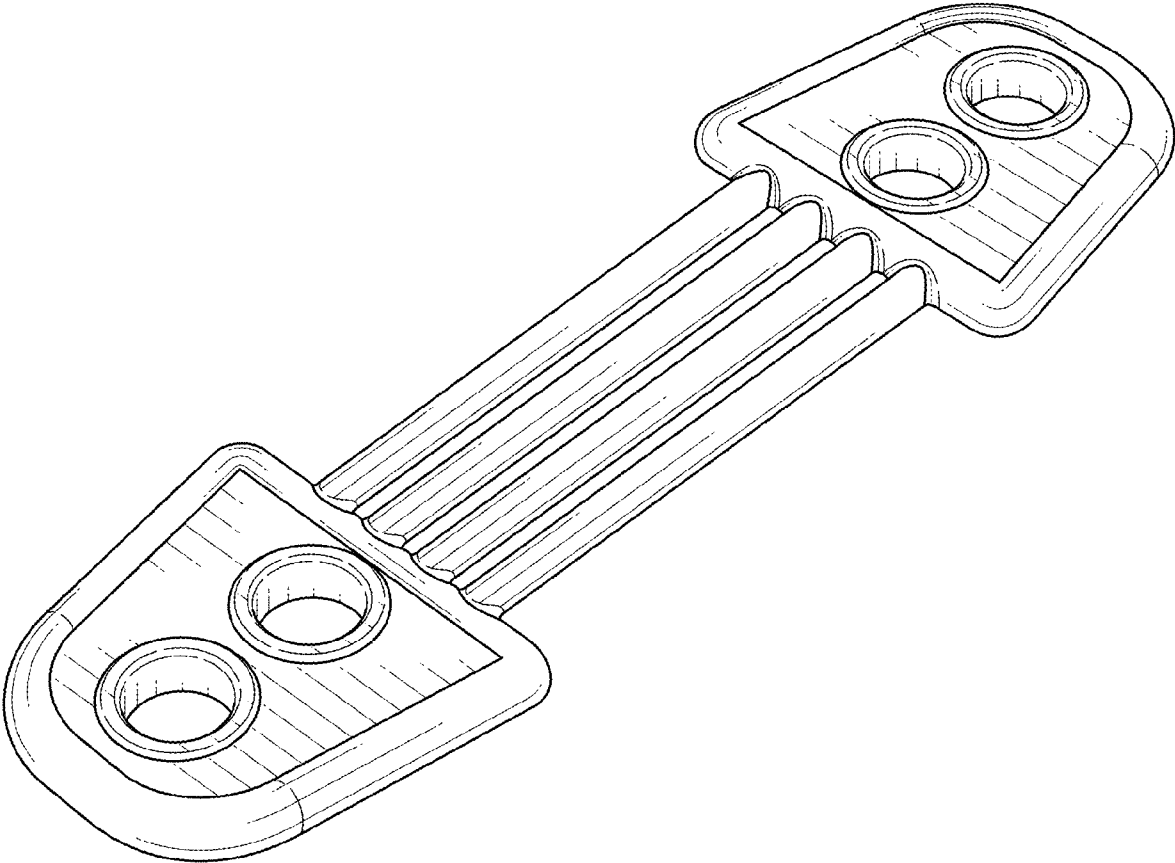


FIG. 1

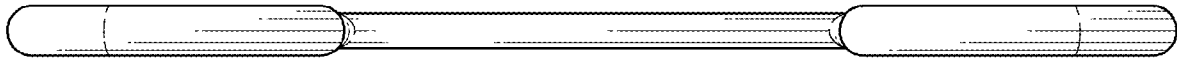


FIG. 2

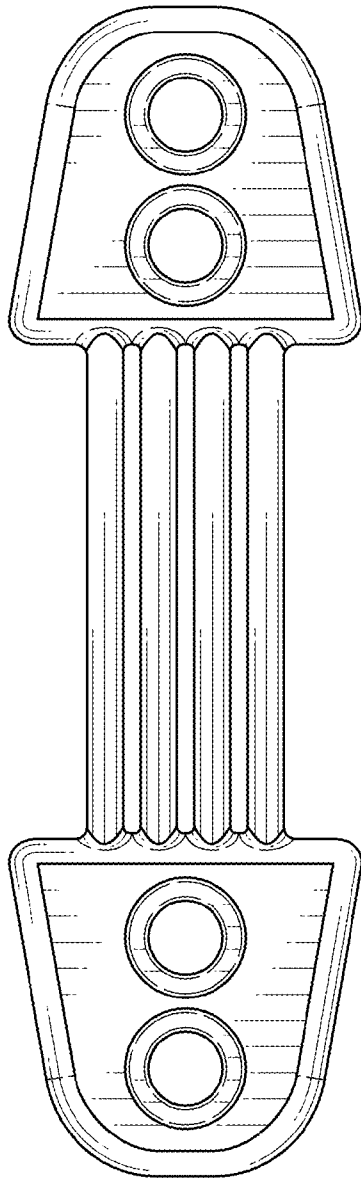


FIG. 3

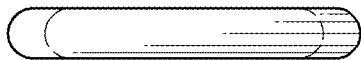


FIG. 4