



US0D1047005S

(12) **United States Design Patent**
Xu

(10) **Patent No.:** **US D1,047,005 S**

(45) **Date of Patent:** **** Oct. 15, 2024**

(54) **TOY GUN**

D842,390 S 3/2019 Iwasawa
10,322,355 B1 * 6/2019 Liu A63H 5/04
D899,530 S * 10/2020 Iwasawa D21/573

(Continued)

(71) Applicant: **SHANTOU CPS TOYS CO., LTD,**
Shantou (CN)

(72) Inventor: **Haocheng Xu,** Shantou (CN)

(**) Term: **15 Years**

FOREIGN PATENT DOCUMENTS

CN 307257785 * 4/2022
CN 308130129 * 7/2023
EM 015021184-0001 * 5/2023

(21) Appl. No.: **29/936,179**

(22) Filed: **Apr. 7, 2024**

(51) **LOC (14) Cl.** **21-01**

(52) **U.S. Cl.**
USPC **D21/573**

(58) **Field of Classification Search**

USPC D21/401-402, 567, 570, 573, 572, 574,
D21/575; D22/103-105, 108, 116
CPC .. F41B 9/00; F41B 9/004; F41B 9/006; F41B
9/0006; F41B 9/0015; F41B 9/0018;
F41B 9/0021; F41B 9/0062; F41B 7/08;
F41B 7/003; F41B 7/006; F41B 11/54;
F41B 11/89; F41B 11/642; F42B 6/00;
F42B 6/003; F42B 30/02; A63F 9/0252;
A63F 9/0278; A63H 33/28

See application file for complete search history.

OTHER PUBLICATIONS

“Blaster Nerf,” Mar. 12, 2020, turbosquid.com, site visited Jul. 24,
2024, URL: <https://www.turbosquid.com/3d-models/blaster-nerf-1521837> (Year: 2020).*

(Continued)

Primary Examiner — Lauren D McVey
Assistant Examiner — Sarah L Smith

(57) **CLAIM**

The ornamental design for a toy gun as shown and described.

DESCRIPTION

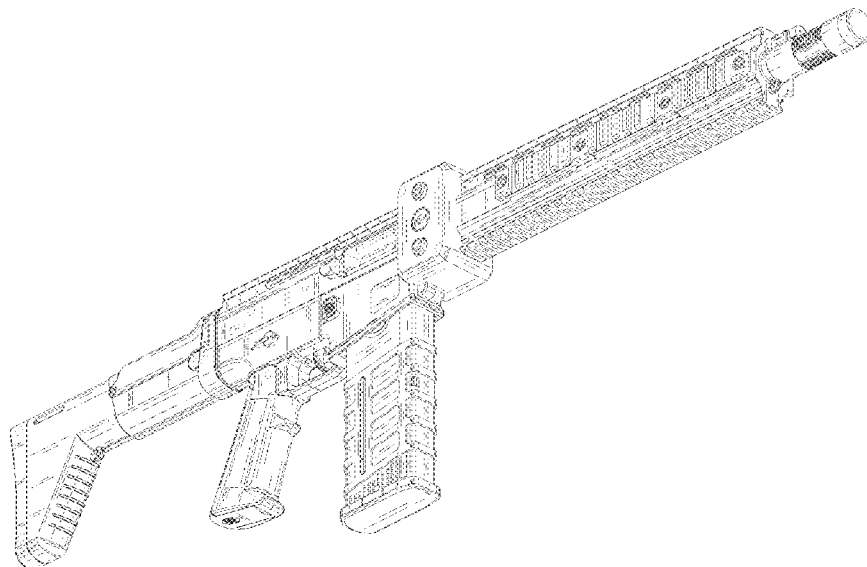
FIG. 1 is a left, rear and top perspective view of a toy gun showing my new design;
FIG. 2 is a right, front and bottom perspective view thereof;
FIG. 3 is a left view thereof;
FIG. 4 is a right view thereof;
FIG. 5 is a front elevational view thereof;
FIG. 6 is a rear elevational view thereof;
FIG. 7 is a top plan view thereof;
FIG. 8 is a bottom plan view thereof; and,
FIG. 9 is an enlarged view of area “9” in FIG. 1.
The long dash-short dash broken lines shown in FIGS. 1 and 9 are for the purpose of indicating the enlarged partial views and form no part of the claimed design. The evenly broken lines illustrate portions of the article that form no part of the claimed design.

(56) **References Cited**

U.S. PATENT DOCUMENTS

D606,614 S * 12/2009 Fitzpatrick F41A 3/72
D22/103
D638,887 S 5/2011 En
D671,183 S 11/2012 Lucansky
D709,581 S * 7/2014 Langevin D22/108
D733,223 S * 6/2015 Chu D21/573
D745,104 S * 12/2015 Eitan D22/108
D745,627 S * 12/2015 Kielsmeier D22/108
D763,394 S * 8/2016 Mayberry D22/108
D803,955 S 11/2017 Martelli et al.
D819,765 S * 6/2018 Kafka D22/103

1 Claim, 9 Drawing Sheets



(56)

References Cited

U.S. PATENT DOCUMENTS

D908,816 S	1/2021	Cheng et al.	
D963,074 S *	9/2022	Liao	D21/573
D994,048 S	8/2023	Huang	
D1,005,411 S *	11/2023	Zhang	D21/573
D1,016,931 S *	3/2024	Lin	D21/573
2022/0381533 A1 *	12/2022	Xia	F41B 11/55

OTHER PUBLICATIONS

“CPS Toys,” Apr. 16, 2022, facebook.com, site visited Jul. 24, 2024, URL: <https://www.facebook.com/people/CPS-TOYS/100078755271514/> (Year: 2022).*

“CPS Toys,” May 6, 2022, facebook.com, site visited Jul. 24, 2024, URL: <https://www.facebook.com/people/CPS-TOYS/100078755271514/> (Year: 2022).*

“CPS Toys,” Jun. 2, 2022, facebook.com, site visited Jul. 24, 2024, URL: <https://www.facebook.com/people/CPS-TOYS/100078755271514/> (Year: 2022).*

“CPS Toys,” Jan. 30, 2023, facebook.com, site visited Jul. 24, 2024, URL: <https://www.facebook.com/people/CPS-TOYS/100078755271514/> (Year: 2023).*

Afajf, Realistic Toy Gun for Nerf Guns Darts, Foam Blaster—with Scope 100 Soft Bullets 3 Magazines, Semi-Auto Sniper Rifle Electric Machine Guns for Boys 12 Age for Kids and Adults, Inventor started the first sale of this product Sep. 25, 2023. Date on Feb. 23, 2024. The link of the sale: <https://www.amazon.com/dp/B0CPTV9X2T?th=1>.

Afajf, Realistic Realistic Toy Gun for Nerf Guns Darts, Foam Blaster—with Scope 100 Soft Bullets 3 Magazines, Semi-Auto Sniper Rifle Electric Machine Guns for Boys 8-12 Age, Birthday Gifts for Kids and Adults, Inventor started the first sale of this product Sep. 25, 2023. Date on Feb. 23, 2024. The link of the sale: <https://www.amazon.com/dp/B0CPBKH8DN>.

* cited by examiner

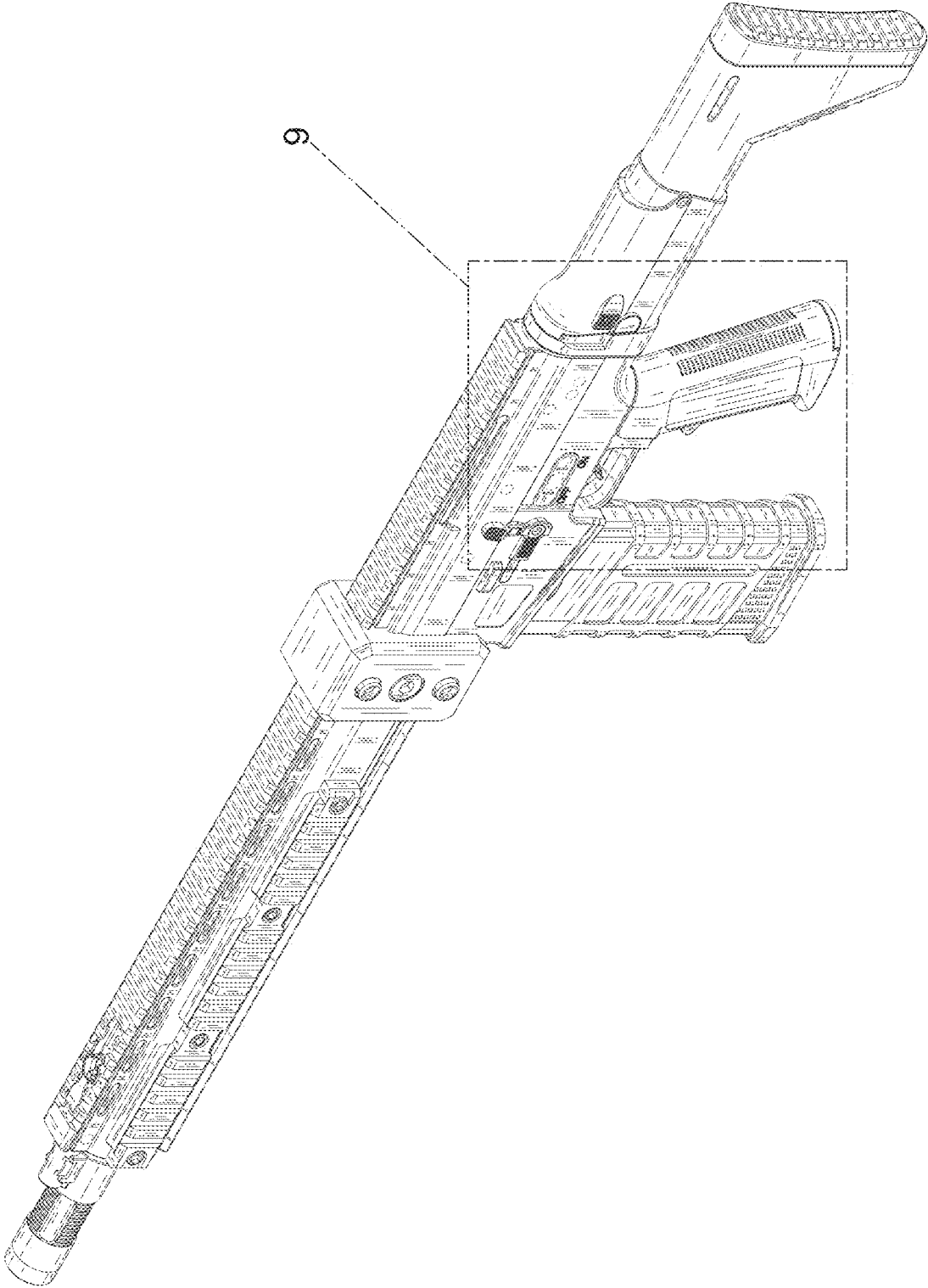


FIG. 1

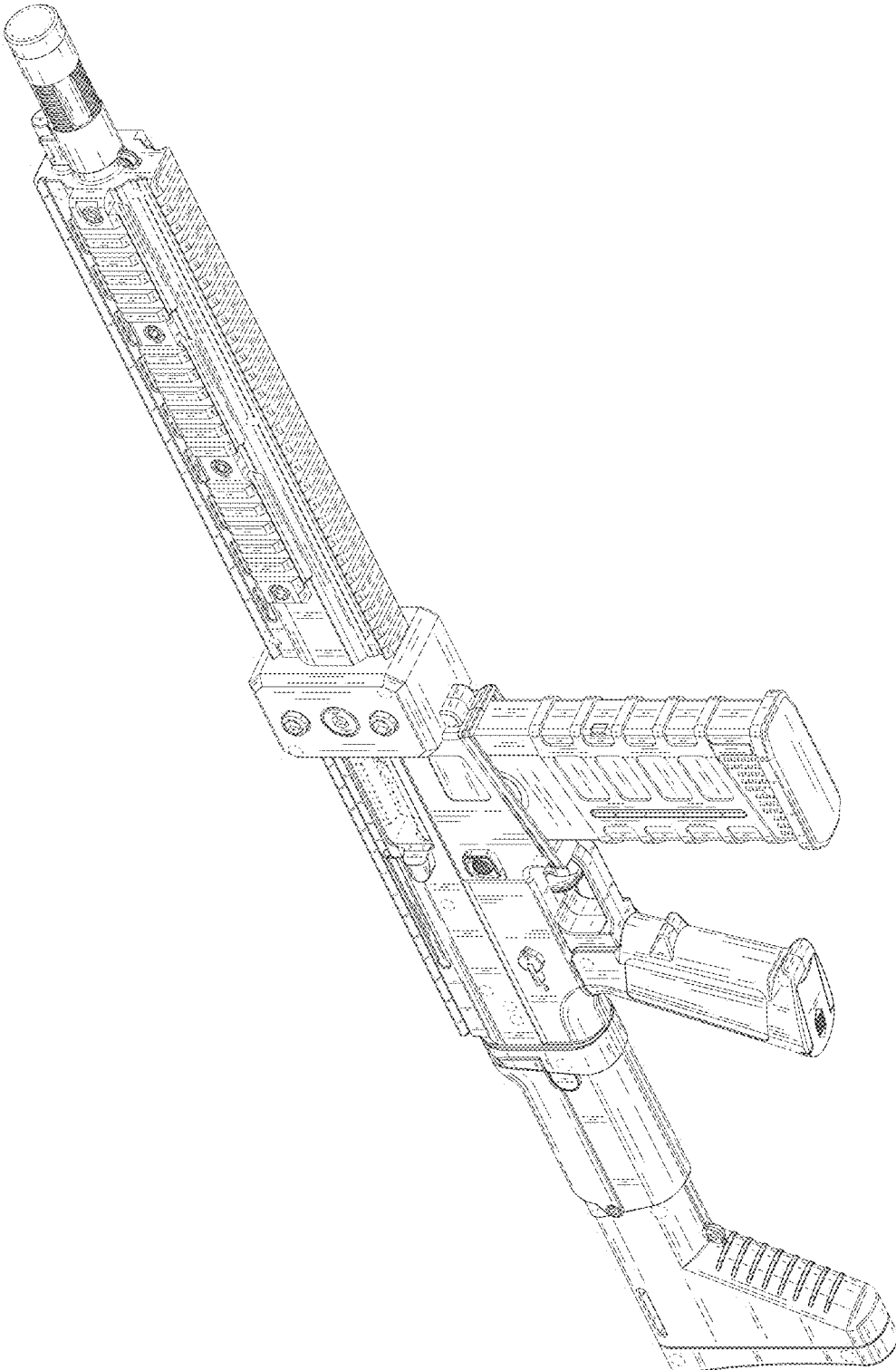


FIG. 2

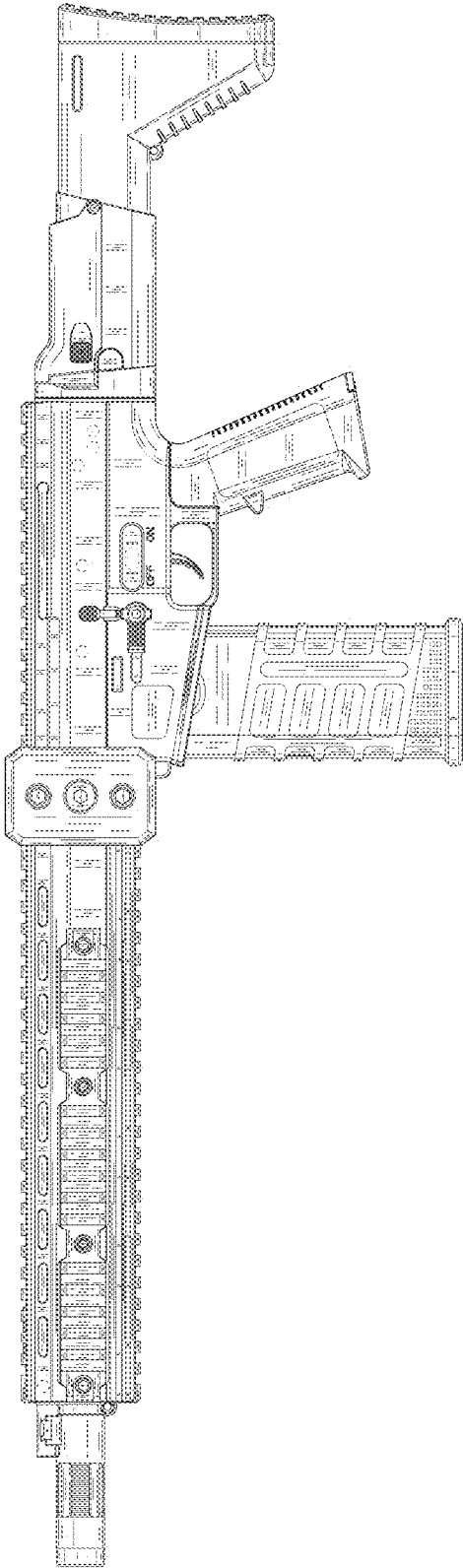


FIG. 3

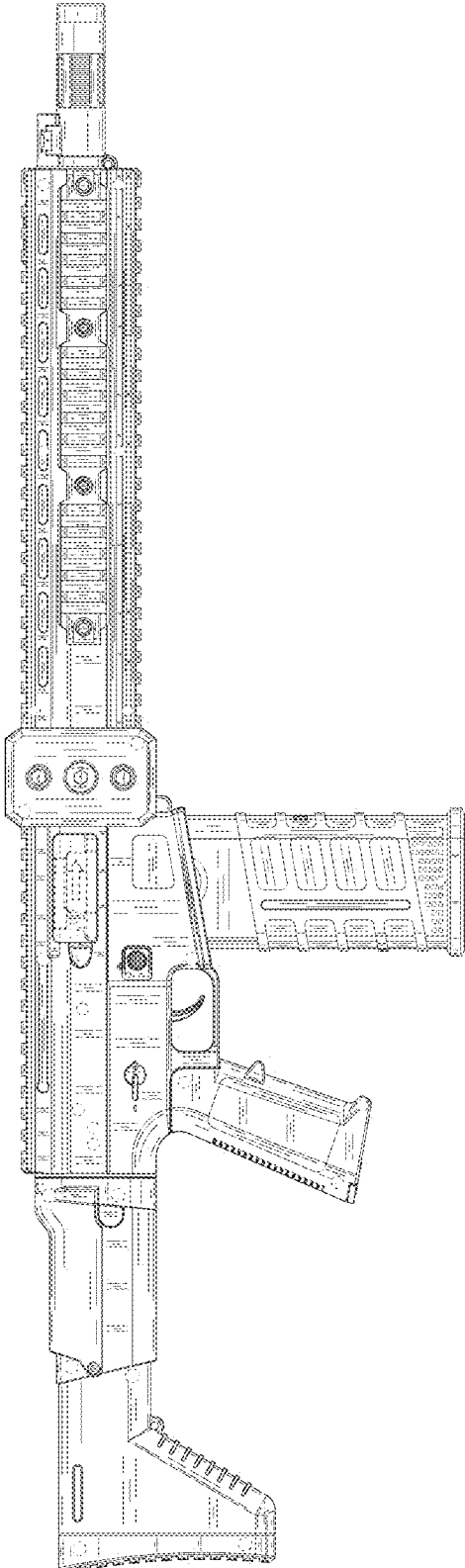


FIG. 4

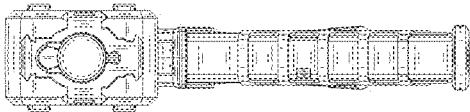


FIG. 5

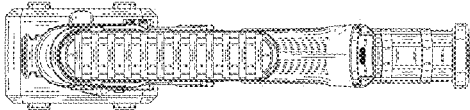


FIG. 6

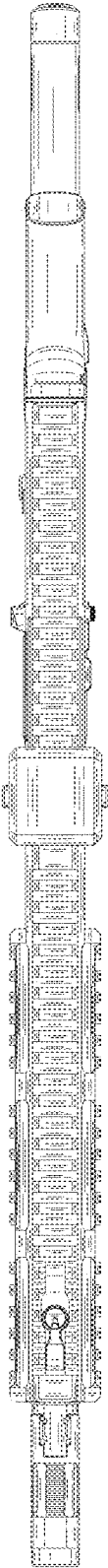


FIG. 7

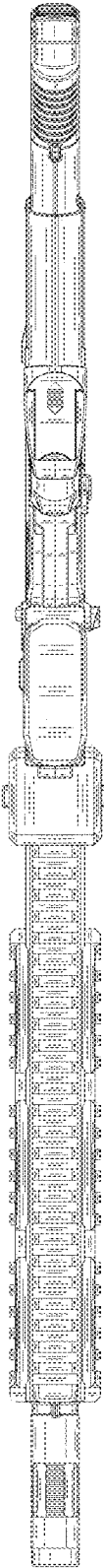


FIG. 8

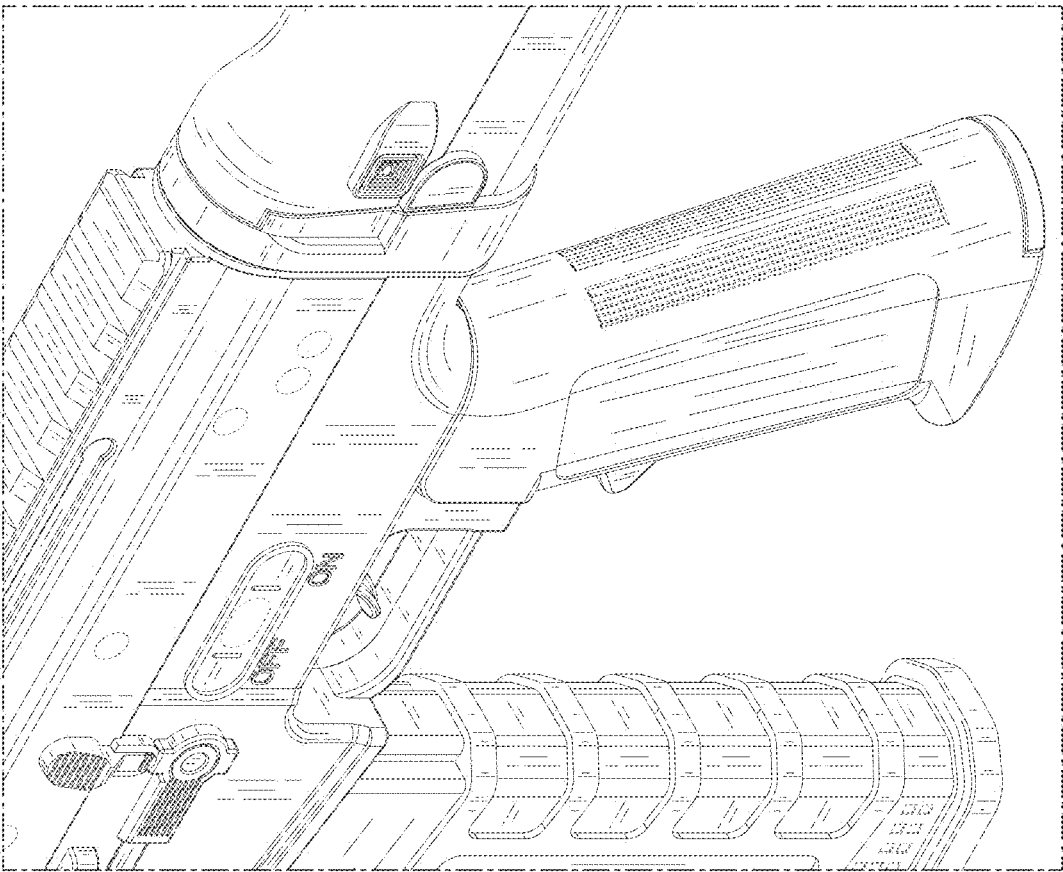


FIG. 9