

FIG.1

*Chadha*

(Chetan Chadha)

Patent Agent for the Applicant

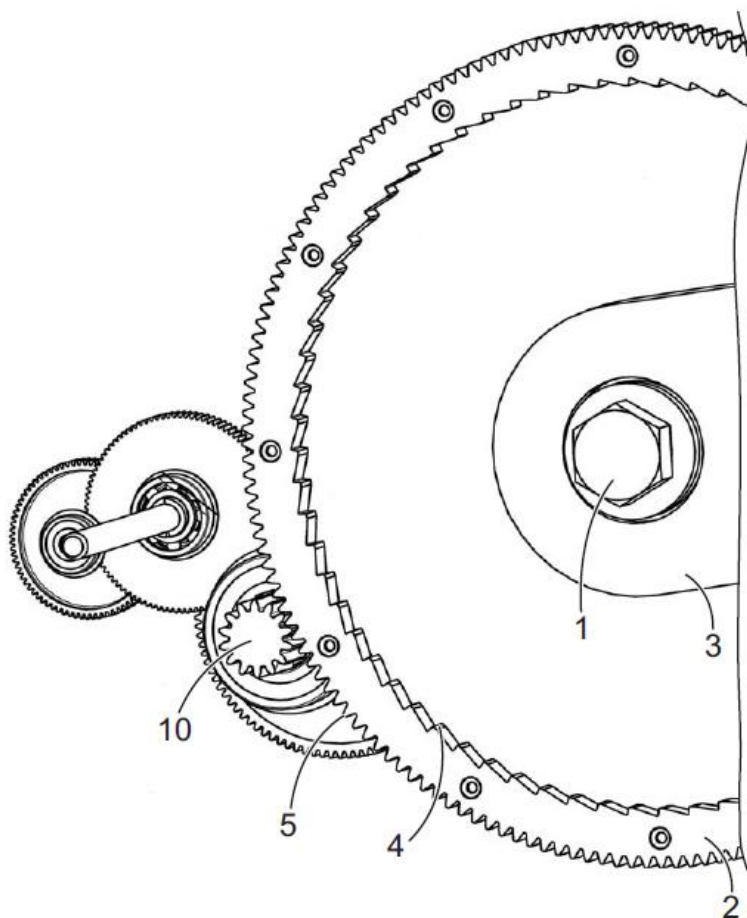


FIG.2

*Chadha*

(Chetan Chadha)

Patent Agent for the Applicant

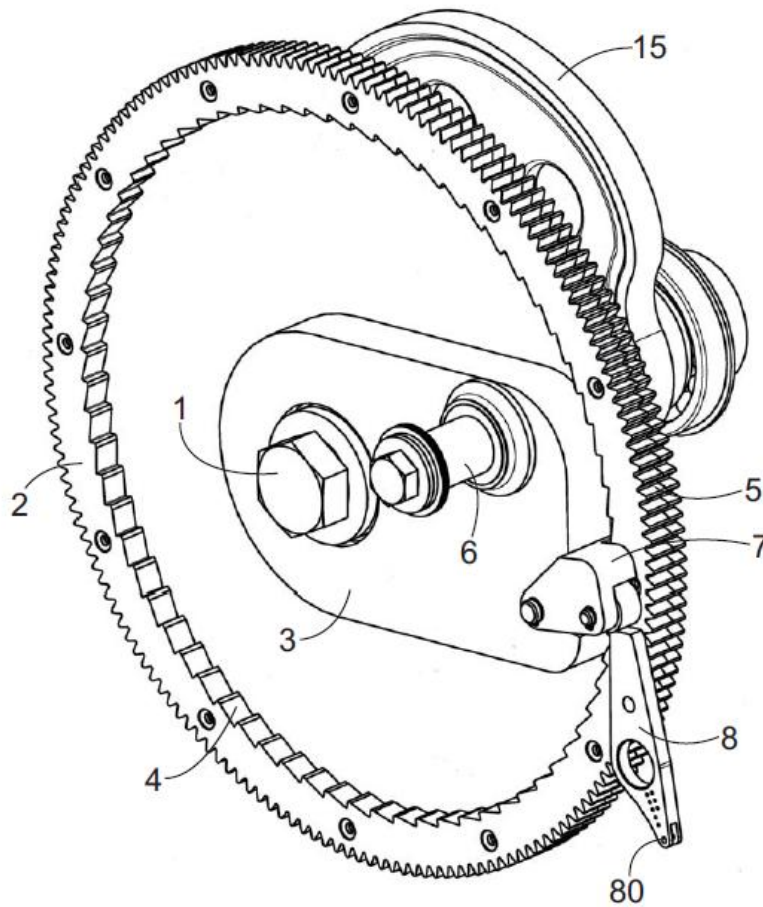


FIG.3A

*Chadha*

(Chetan Chadha)

Patent Agent for the Applicant

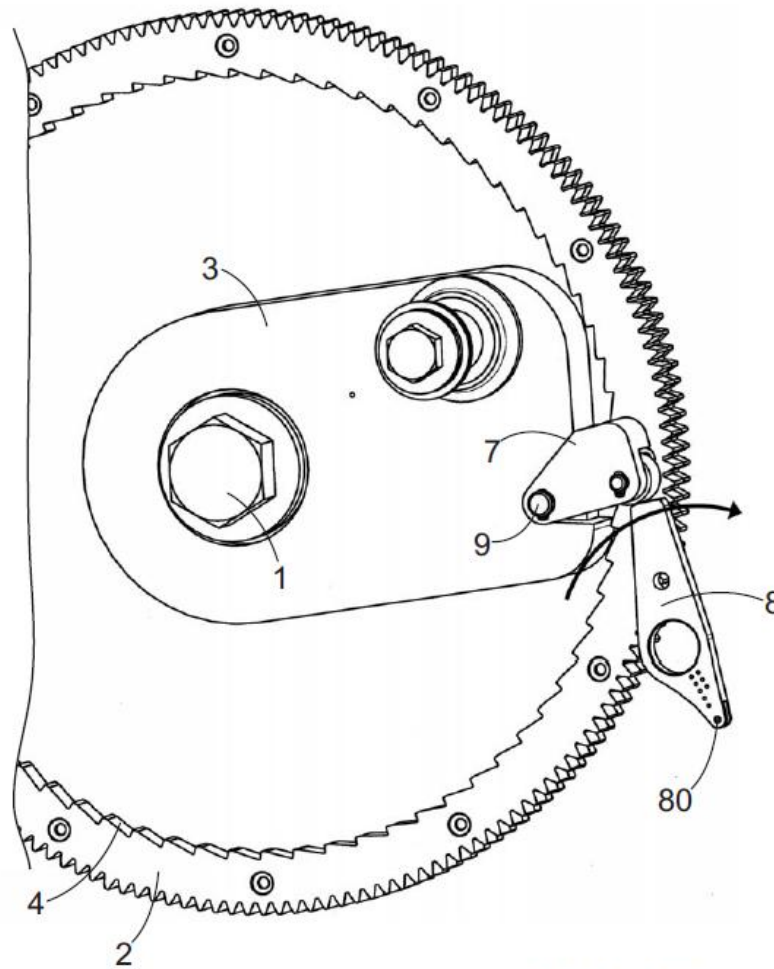


FIG.3B

*Chadha*

(Chetan Chadha)

Patent Agent for the Applicant

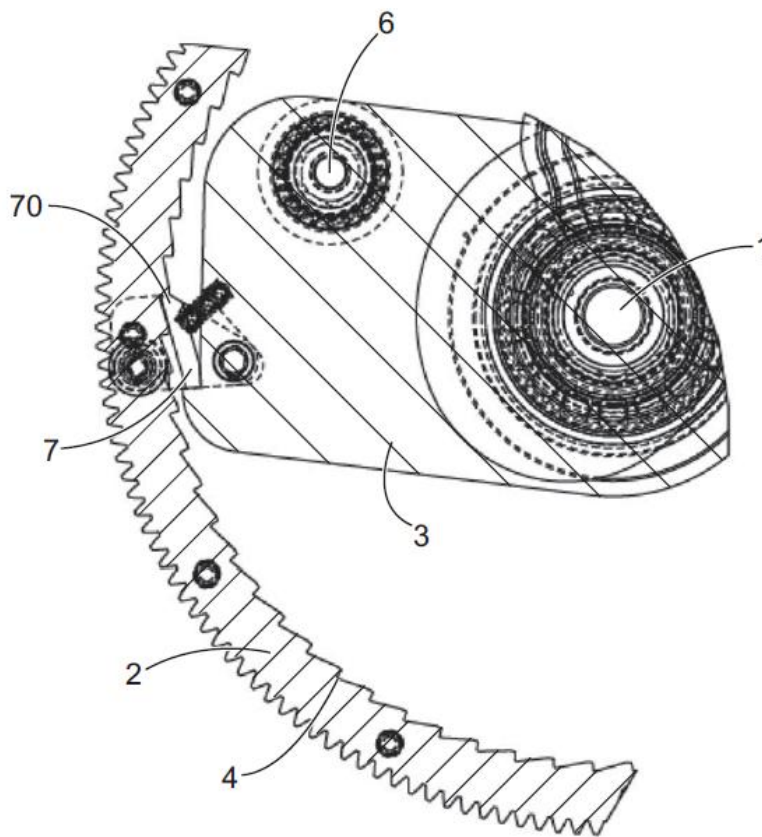


FIG.4

*Chadha*

(Chetan Chadha)

Patent Agent for the Applicant