

(19) World Intellectual Property Organization
International Bureau



(43) International Publication Date
30 November 2006 (30.11.2006)

PCT

(10) International Publication Number
WO 2006/127901 A3

- (51) International Patent Classification:
G02B 6/00 (2006.01) G02B 6/24 (2006.01)
- (21) International Application Number:
PCT/US2006/020236
- (22) International Filing Date: 25 May 2006 (25.05.2006)
- (25) Filing Language: English
- (26) Publication Language: English
- (30) Priority Data:
60/684,465 25 May 2005 (25.05.2005) US
- (71) Applicant (for all designated States except US): THE UNIVERSITY OF VERMONT AND STATE AGRICULTURAL COLLEGE [US/US]; 85 South Prospect Street, Burlington, VT 05405 (US).
- (72) Inventors; and
- (75) Inventors/Applicants (for US only): KENNEDY, Guy, G. [US/US]; 9 South Hill Drive, Underhill, VT 05489 (US). WARSHAW, David, M. [US/US]; 35 Pinnacle Drive, South Burlington, VT 05403 (US).

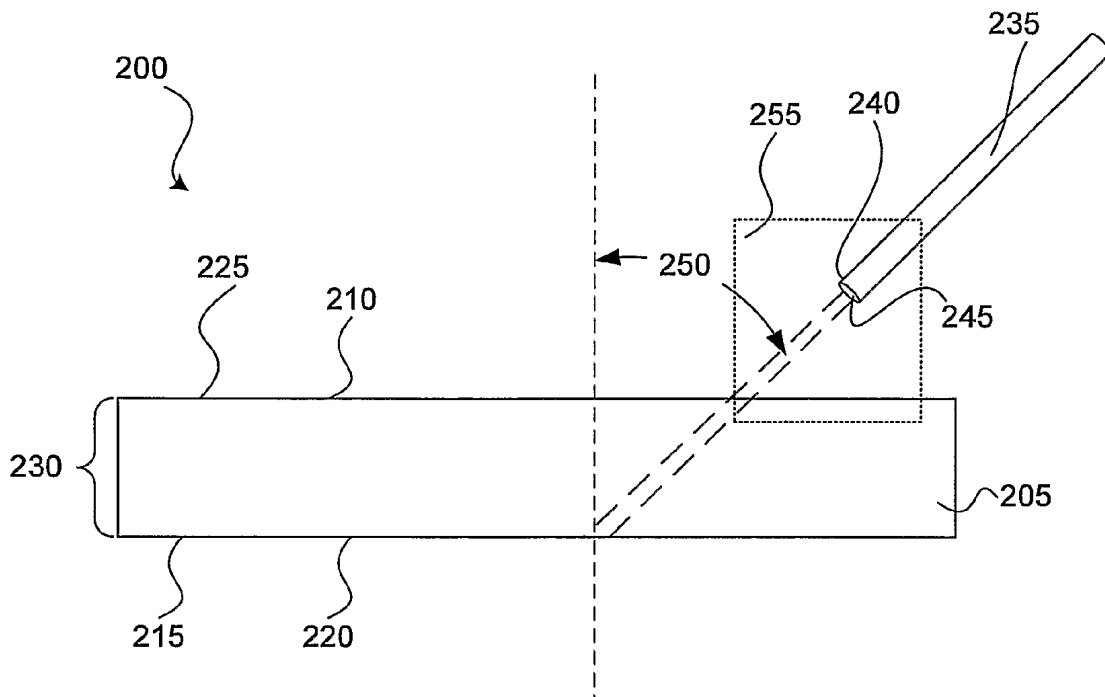
- (74) Agent: MEIER, Lawrence, H.; Downs Rachlin Martin PLLC, 199 Main Street, P.O. Box 190, Burlington, VT 05402-0190 (US).
- (81) Designated States (unless otherwise indicated, for every kind of national protection available): AE, AG, AL, AM, AT, AU, AZ, BA, BB, BG, BR, BW, BY, BZ, CA, CH, CN, CO, CR, CU, CZ, DE, DK, DM, DZ, EC, EE, EG, ES, FI, GB, GD, GE, GH, GM, HR, HU, ID, IL, IN, IS, JP, KE, KG, KM, KN, KP, KR, KZ, LC, LK, LR, LS, LT, LU, LV, LY, MA, MD, MG, MK, MN, MW, MX, MZ, NA, NG, NI, NO, NZ, OM, PG, PH, PL, PT, RO, RU, SC, SD, SE, SG, SK, SL, SM, SY, TJ, TM, TN, TR, TT, TZ, UA, UG, US, UZ, VC, VN, YU, ZA, ZM, ZW.
- (84) Designated States (unless otherwise indicated, for every kind of regional protection available): ARIPO (BW, GH, GM, KE, LS, MW, MZ, NA, SD, SL, SZ, TZ, UG, ZM, ZW), Eurasian (AM, AZ, BY, KG, KZ, MD, RU, TJ, TM), European (AT, BE, BG, CH, CY, CZ, DE, DK, EE, ES, FI, FR, GB, GR, HU, IE, IS, IT, LT, LU, LV, MC, NL, PL, PT, RO, SE, SI, SK, TR), OAPI (BF, BJ, CF, CG, CI, CM, GA, GN, GQ, GW, ML, MR, NE, SN, TD, TG).

Published:

— with international search report

[Continued on next page]

(54) Title: OPTICAL FIBER MICROSCOPY LAUNCH SYSTEM AND METHOD



(57) Abstract: A launch system and method for microscopy having an optical fiber positioned proximate a sample slide with an optical fiber mounting element so as to deliver an EMR from a terminal end of the optical fiber across a surface of the sample slide to an opposing side surface at a desired incident angle.

WO 2006/127901 A3



(88) Date of publication of the international search report:

16 April 2009

INTERNATIONAL SEARCH REPORT

International application No.

PCT/US06/20236

A. CLASSIFICATION OF SUBJECT MATTER
 IPC: **G02B 6/00(2006.01),6/24(2006.01)**

 USPC: 385/14,15,49
 According to International Patent Classification (IPC) or to both national classification and IPC

B. FIELDS SEARCHED
 Minimum documentation searched (classification system followed by classification symbols)
 U.S. : 385/14,15,49

Documentation searched other than minimum documentation to the extent that such documents are included in the fields searched
 NONE

Electronic data base consulted during the international search (name of data base and, where practicable, search terms used)
 Please See Continuation Sheet

C. DOCUMENTS CONSIDERED TO BE RELEVANT

| Category * | Citation of document, with indication, where appropriate, of the relevant passages | Relevant to claim No. |
|------------|--|--|
| X | US 5,249,077 A (LARONGA et al)28 September 1993 (28.09.1993), see entire document. | 1-6,8,9,15-17,22-34,36-38,40-44 |
| X | US 4,674,846 A (LIPPMAN) 23 June 1987 (23.06.1987), see entire document. | 1-3,6-9,11,13,15-23,25,28,30,32,36,40,44 |
| X | US 3,971,621 A (ALBRECHT-BUEHLER) 27 July 1976 (27.07.1976), see entire document. | 1, 8, 9, 12 |
| X | US 3,967,877 A (HEIDRICH et al) 6 July 1976 (06.07.1976), see entire document. | 1,10,14,22,25,28,31,32,35,36,39,44 |


Further documents are listed in the continuation of Box C. See patent family annex.

| | | |
|---|-----|--|
| * Special categories of cited documents: | "T" | later document published after the international filing date or priority date and not in conflict with the application but cited to understand the principle or theory underlying the invention |
| "A" document defining the general state of the art which is not considered to be of particular relevance | "X" | document of particular relevance; the claimed invention cannot be considered novel or cannot be considered to involve an inventive step when the document is taken alone |
| "E" earlier application or patent published on or after the international filing date | "Y" | document of particular relevance; the claimed invention cannot be considered to involve an inventive step when the document is combined with one or more other such documents, such combination being obvious to a person skilled in the art |
| "L" document which may throw doubts on priority claim(s) or which is cited to establish the publication date of another citation or other special reason (as specified) | "&" | document member of the same patent family |
| "O" document referring to an oral disclosure, use, exhibition or other means | | |
| "P" document published prior to the international filing date but later than the priority date claimed | | |

Date of the actual completion of the international search
 02 February 2008 (02.02.2008)

Date of mailing of the international search report
 12 FEB 2008

Name and mailing address of the ISA/US
 Mail Stop PCT, Attn: ISA/US
 Commissioner for Patents
 P.O. Box 1450
 Alexandria, Virginia 22313-1450
 Facsimile No. (571) 273-3201

Authorized officer

 MICHELLE R. CONNELLY CUSHWA
 Telephone No. 703-308-0956