



US00D354168S

# United States Patent [19] Hartwein

[11] Patent Number: **Des. 354,168**  
[45] Date of Patent: **\*\* Jan. 10, 1995**

[54] **COMBINED CHARGING UNIT AND SET OF ELECTRIC TOOTHBRUSHES**

D. 325,129 4/1992 Ambasz ..... D4/101  
D. 341,943 12/1993 Si-Hoe ..... D4/108

[75] Inventor: **Peter Hartwein, Königstein, Germany**

### FOREIGN PATENT DOCUMENTS

[73] Assignee: **Braun Aktiengesellschaft, Frankfurt, Germany**

73MR8995 6/1981 Germany .  
8802832.1 5/1989 Germany .  
9007967.1 7/1991 Germany .  
9104820.6 10/1991 Germany .

[\*\*] Term: **14 Years**

*Primary Examiner*—Wallace R. Burke  
*Assistant Examiner*—Lavone D. Tabor  
*Attorney, Agent, or Firm*—Fish & Richardson

[21] Appl. No.: **14,183**

[22] Filed: **Oct. 14, 1993**

### [57] CLAIM

### [30] Foreign Application Priority Data

The ornamental design for a combined charging unit and set of electric toothbrushes, as shown and described.

Apr. 16, 1993 [DE] Germany ..... DMA/002121

[52] U.S. Cl. .... **D4/108; D4/101; D13/108**

[58] Field of Search ..... **D4/100-101, D4/104-112, 116, 121, 127, 134, 138, 199; D13/107-108; 15/22.1, 22.2, 23, 25-26, 28, 105, 167.1, 143.1**

### DESCRIPTION

FIG. 1 is a perspective view of a combined charging unit and set of electric toothbrushes showing my new design;

FIG. 2 is a front view thereof;

FIG. 3 is a top plan view thereof;

FIG. 4 is a side view thereof;

FIG. 5 is a side view thereof;

FIG. 6 is a rear view thereof; and,

FIG. 7 is a bottom plan view thereof.

### [56] References Cited

#### U.S. PATENT DOCUMENTS

D. 266,117 9/1982 Oberheim ..... D4/101  
D. 303,876 10/1989 Clemens et al. .... D4/101  
D. 318,918 8/1991 Hartwein ..... D4/116 X

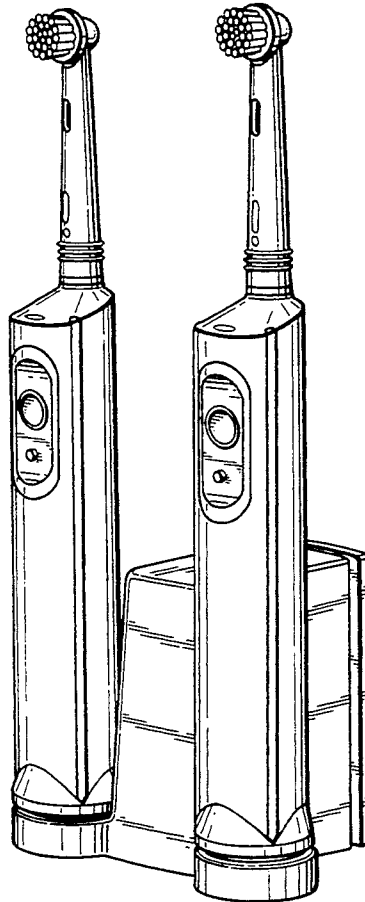
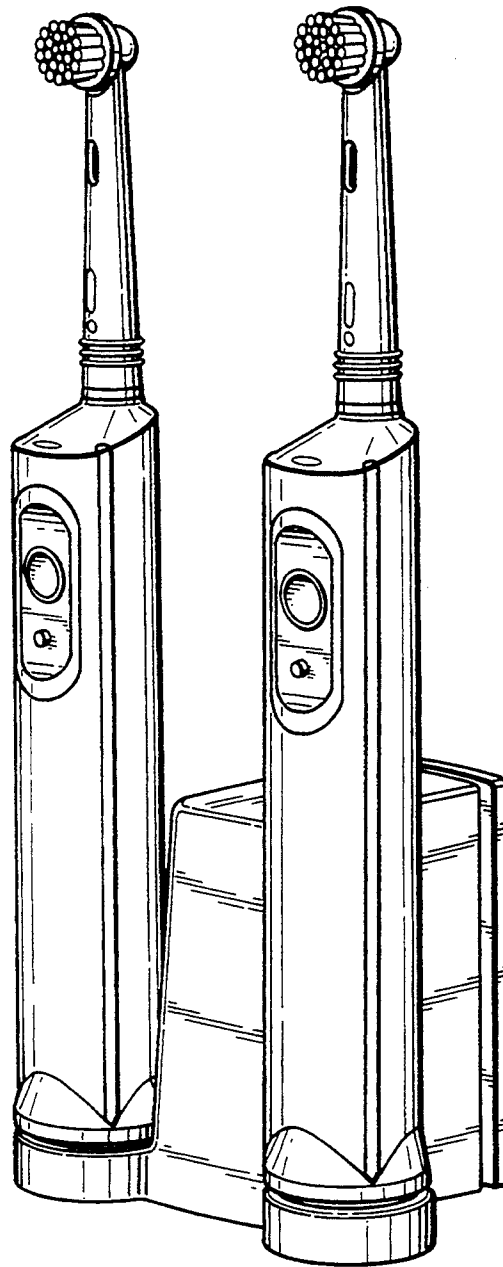


Fig. 1



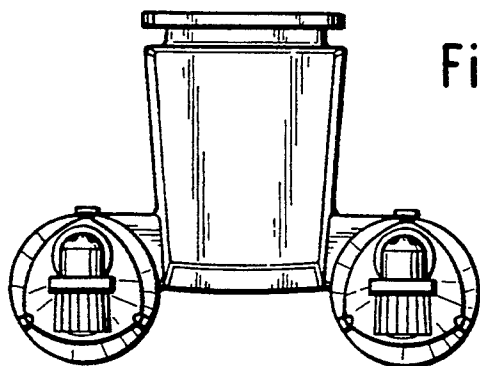


Fig. 3

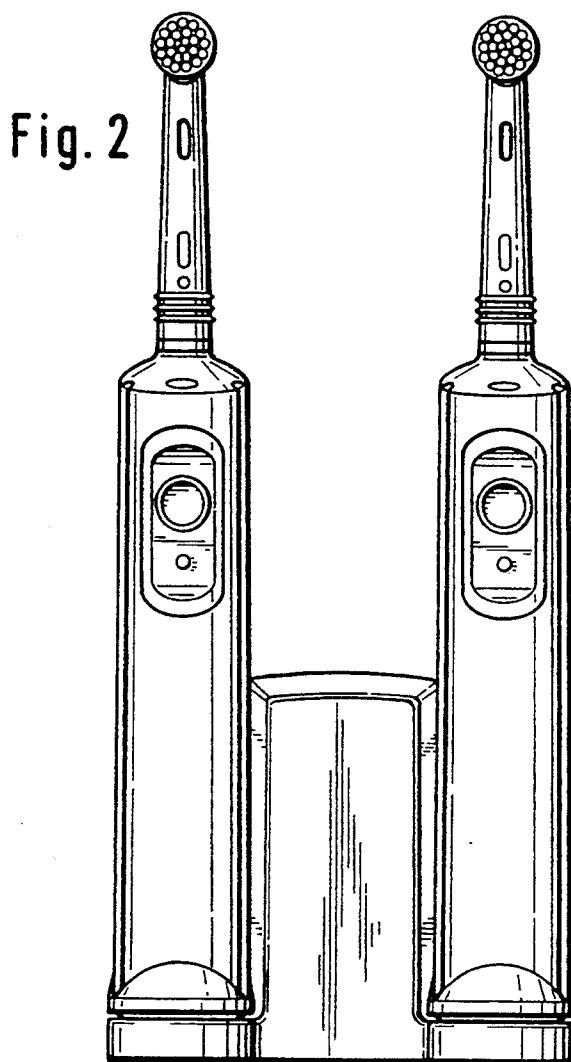


Fig. 2

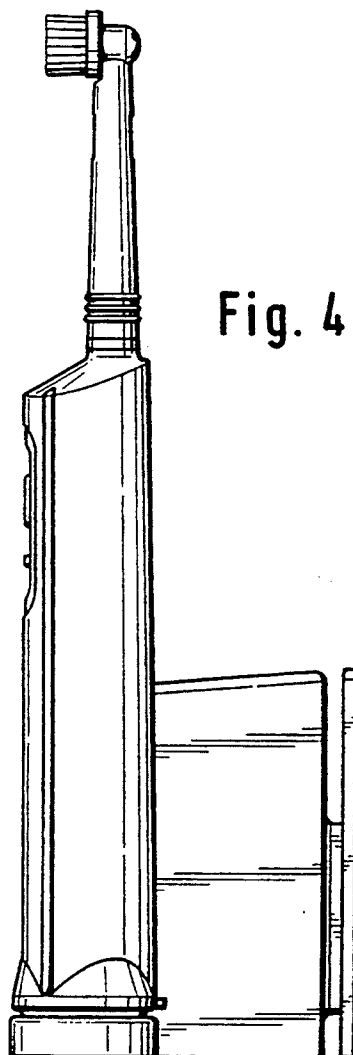


Fig. 4

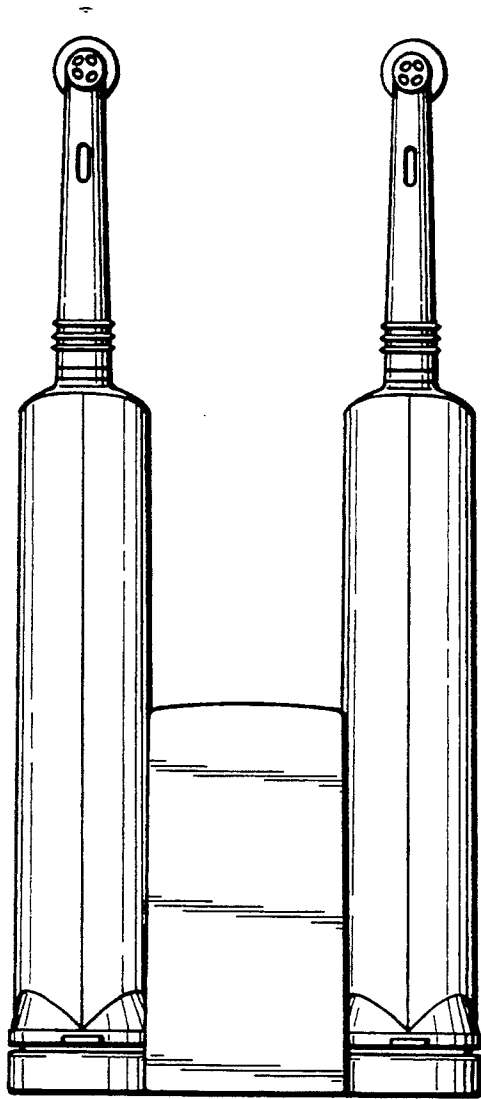


Fig. 6

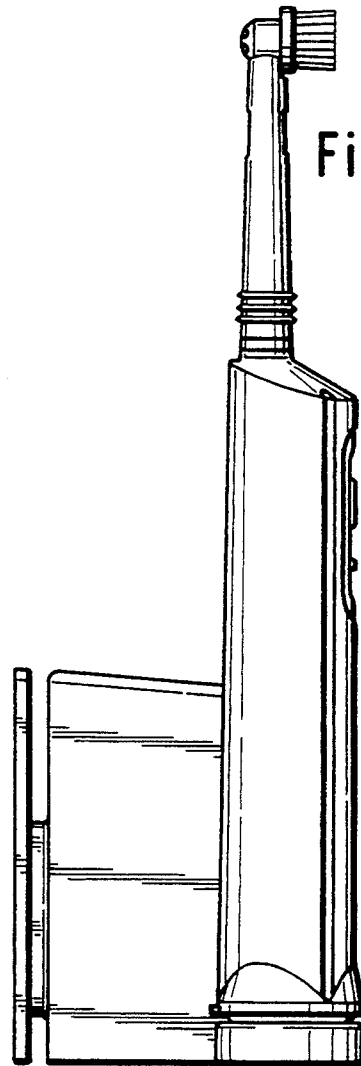


Fig. 5

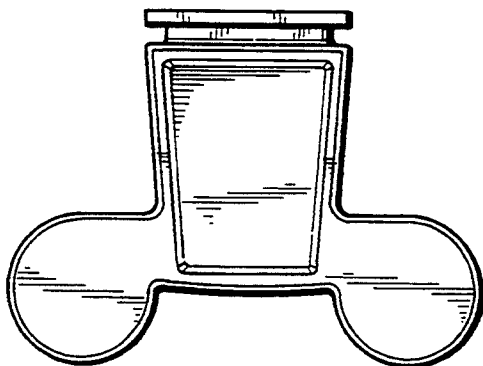


Fig. 7