

(19) World Intellectual Property Organization
International Bureau



(43) International Publication Date
27 October 2005 (27.10.2005)

PCT

(10) International Publication Number
WO 2005/099611 A3

(51) International Patent Classification:
A61C 7/00 (2006.01)

(21) International Application Number:
PCT/US2005/008511

(22) International Filing Date: 15 March 2005 (15.03.2005)

(25) Filing Language: English

(26) Publication Language: English

(30) Priority Data:
60/556,992 25 March 2004 (25.03.2004) US
11/079,897 14 March 2005 (14.03.2005) US

(71) Applicant (for all designated States except US): JOE DENTIST, INC. [US/US]; 8650 Genesee Avenue., Suite 312, San Diego, CA 92122 (US).

(72) Inventor: KAMBIZ, Kohani; 7920 Grado El Tupelo, Carlsbad, CA 92009 (US).

(74) Agent: HARMS, Donn, K.; 12702 Via Cortina, Suite 100, Del Mar, CA 92014 (US).

(81) Designated States (unless otherwise indicated, for every kind of national protection available): AE, AG, AL, AM, AT, AU, AZ, BA, BB, BG, BR, BW, BY, BZ, CA, CH, CN,

CO, CR, CU, CZ, DE, DK, DM, DZ, EC, EE, EG, ES, FI, GB, GD, GE, GH, GM, HR, HU, ID, IL, IN, IS, JP, KE, KG, KP, KR, KZ, LC, LK, LR, LS, LT, LU, LV, MA, MD, MG, MK, MN, MW, MX, MZ, NA, NI, NO, NZ, OM, PG, PH, PL, PT, RO, RU, SC, SD, SE, SG, SK, SL, SM, SY, TJ, TM, TN, TR, TT, TZ, UA, UG, US, UZ, VC, VN, YU, ZA, ZM, ZW.

(84) Designated States (unless otherwise indicated, for every kind of regional protection available): ARIPO (BW, GH, GM, KE, LS, MW, MZ, NA, SD, SL, SZ, TZ, UG, ZM, ZW), Eurasian (AM, AZ, BY, KG, KZ, MD, RU, TJ, TM), European (AT, BE, BG, CH, CY, CZ, DE, DK, EE, ES, FI, FR, GB, GR, HU, IE, IS, IT, LT, LU, MC, NL, PL, PT, RO, SE, SI, SK, TR), OAPI (BF, BJ, CF, CG, CI, CM, GA, GN, GQ, GW, ML, MR, NE, SN, TD, TG).

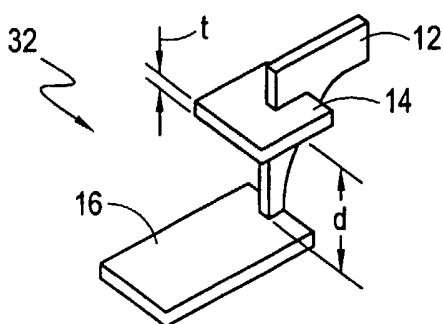
Published:

- with international search report
- before the expiration of the time limit for amending the claims and to be republished in the event of receipt of amendments

(88) Date of publication of the international search report:
8 September 2006

For two-letter codes and other abbreviations, refer to the "Guidance Notes on Codes and Abbreviations" appearing at the beginning of each regular issue of the PCT Gazette.

(54) Title: DENTAL BRACKETING SYSTEM AND METHOD



(57) Abstract: A device and method for affixing orthodontic brackets to teeth includes a support member, a holder mounted on the support member for holding orthodontic brackets, and a base member mounted on the support member at a predetermined distance from the holder and parallel to the holder. In operation, a bracket is engaged with the holder and a dental adhesive is applied to the bracket. The base member initially contacts the tooth, followed by the bracket, which urges against the surface of the tooth at the predetermined distance from the base member. Once positioned, the bracket is held in place until the adhesive sets, thereby affixing the bracket to the tooth.

WO 2005/099611 A3

INTERNATIONAL SEARCH REPORT

International application No.

PCT/US05/08511

A. CLASSIFICATION OF SUBJECT MATTER
 IPC: A61C 7/00(2006.01)

 USPC: 433/3
 According to International Patent Classification (IPC) or to both national classification and IPC

B. FIELDS SEARCHED
 Minimum documentation searched (classification system followed by classification symbols)
 U.S. : 433/3,2,9

 Documentation searched other than minimum documentation to the extent that such documents are included in the fields searched

 Electronic data base consulted during the international search (name of data base and, where practicable, search terms used)

C. DOCUMENTS CONSIDERED TO BE RELEVANT		
Category *	Citation of document, with indication, where appropriate, of the relevant passages	Relevant to claim No.
X	US 3,871,098 A (DEAN) 18 March 1975, see entire document.	1-3,5,10-12,14,17,18
---		-----
Y		6-9,15,16,19,20
X	5,304,061 A (NELSON) 19 April 1994, see entire document.	1,4,10,13
Y	US 4,850,864 A (DIAMOND) 25 July 1989, see entire document.	6-9,15,16,19,20
Y	US 2003/0224310 A1 (ANDREIKO) 04 December 2003, see entire document.	9

Further documents are listed in the continuation of Box C. See patent family annex.

* Special categories of cited documents:	
"A" document defining the general state of the art which is not considered to be of particular relevance	"T" later document published after the international filing date or priority date and not in conflict with the application but cited to understand the principle or theory underlying the invention
"E" earlier application or patent published on or after the international filing date	"X" document of particular relevance; the claimed invention cannot be considered novel or cannot be considered to involve an inventive step when the document is taken alone
"L" document which may throw doubts on priority claim(s) or which is cited to establish the publication date of another citation or other special reason (as specified)	"Y" document of particular relevance; the claimed invention cannot be considered to involve an inventive step when the document is combined with one or more other such documents, such combination being obvious to a person skilled in the art
"O" document referring to an oral disclosure, use, exhibition or other means	"&" document member of the same patent family
"P" document published prior to the international filing date but later than the priority date claimed	

Date of the actual completion of the international search: 12 June 2006 (12.06.2006)
 Date of mailing of the international search report: 13 JUL 2006

Name and mailing address of the ISA/US: Mail Stop PCT, Attn: ISA/US, Commissioner for Patents, P.O. Box 1450, Alexandria, Virginia 22313-1450
 Facsimile No. (571) 273-3201
 Authorized officer: Kevin Shaver
 Telephone No. 703-308-0858