

(19) World Intellectual Property Organization  
International Bureau



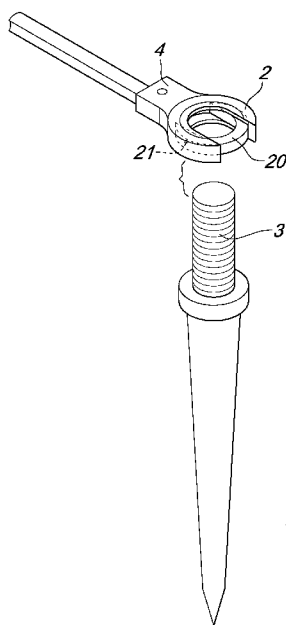
(43) International Publication Date  
24 June 2010 (24.06.2010)

PCT

(10) International Publication Number  
**WO 2010/069964 A1**

- (51) **International Patent Classification:**  
A61B 17/70 (2006.01)
- (21) **International Application Number:**  
PCT/EP2009/067203
- (22) **International Filing Date:**  
15 December 2009 (15.12.2009)
- (25) **Filing Language:** English
- (26) **Publication Language:** English
- (30) **Priority Data:**  
MI2008A002240 17 December 2008 (17.12.2008) IT
- (71) **Applicant (for all designated States except US):** N.B.R. NEW BIOTECHNOLOGY RESEARCH [IT/IT]; Via Nizza, 20, I-37122 Verona (IT).
- (72) **Inventor; and**
- (71) **Applicant :** CALVOSA, Giuseppe [IT/IT]; Via Randaccio, 24, I-56123 Pisa (IT).
- (72) **Inventors; and**
- (75) **Inventors/Applicants (for US only):** CERVELLINI, Patrizio [IT/IT]; Corso Antonio Fogazzaro, 220, I-36100 Vicenza (IT). TENUCCI, Miria [IT/IT]; Via Teodorico Borgognoni, 124, I-55100 Lucca (IT).
- (74) **Agent:** MODIANO, Micaela; Modiano & Partners, Via Meravigli, 16, I-20123 Milano (IT).
- (81) **Designated States (unless otherwise indicated, for every kind of national protection available):** AE, AG, AL, AM, AO, AT, AU, AZ, BA, BB, BG, BH, BR, BW, BY, BZ, CA, CH, CL, CN, CO, CR, CU, CZ, DE, DK, DM, DO, DZ, EC, EE, EG, ES, FI, GB, GD, GE, GH, GM, GT, HN, HR, HU, ID, IL, IN, IS, JP, KE, KG, KM, KN, KP, KR, KZ, LA, LC, LK, LR, LS, LT, LU, LY, MA, MD, ME, MG, MK, MN, MW, MX, MY, MZ, NA, NG, NI, NO, NZ, OM, PE, PG, PH, PL, PT, RO, RS, RU, SC, SD, SE, SG, SK, SL, SM, ST, SV, SY, TJ, TM, TN, TR, TT, TZ, UA, UG, US, UZ, VC, VN, ZA, ZM, ZW.
- (84) **Designated States (unless otherwise indicated, for every kind of regional protection available):** ARIPO (BW, GH, GM, KE, LS, MW, MZ, NA, SD, SL, SZ, TZ, UG, ZM, ZW), Eurasian (AM, AZ, BY, KG, KZ, MD, RU, TJ, TM), European (AT, BE, BG, CH, CY, CZ, DE, DK, EE, ES, FI, FR, GB, GR, HR, HU, IE, IS, IT, LT, LU, LV, MC, MK, MT, NL, NO, PL, PT, RO, SE, SI, SK, SM, TR), OAPI (BF, BJ, CF, CG, CI, CM, GA, GN, GQ, GW, ML, MR, NE, SN, TD, TG).
- Published:**  
— with international search report (Art. 21(3))

(54) **Title:** MODULAR VERTEBRAL STABILIZER



(57) **Abstract:** A stabilizer device for the spinal column, comprising a first body (2) and a second body (2) adapted to be mutually connected by a rod-like element (5), the first and second bodies (2) being adapted to be fitted around first and second pedicle screws (3), which are adapted to be inserted in turn in two mutually adjacent vertebrae, the first and second bodies (2) being fixable on the pedicle screws (3), the first and second bodies (2) being fork-shaped and adapted to accommodate locking means (20), the locking means (20) being adapted to pass from a position for accommodating the pedicle screw (3) to a position for locking the pedicle screw (3) within the fork-shaped body (2).



WO 2010/069964 A1

## MODULAR VERTEBRAL STABILIZER

### **Technical Field**

The present invention relates to a modular vertebral stabilizer. More particularly, the invention relates to a modular vertebral stabilizer that is adapted to mutually connect at least two adjacent vertebrae by using at least two connecting elements which can prevent or allow some certain limited movement to the vertebrae.

### **Background Art**

As is known, many pathologies related to the functionality of the spinal column are treated by total or partial immobilization, particularly with a technique known as intervertebral arthrodesis, with the aid of connection means and/or with the addition of portions of bone tissue which join such adjacent vertebrae.

Vertebral stabilization devices of the static and dynamic types are known in the art and have a screw that is adapted to be connected to a vertebra and rigid elements or elements that have a limited mobility, which have two ends which are jointly connected to the two screws connected to two adjacent vertebrae.

In particular, a dynamic stabilizing device, i.e., capable of allowing relative movement between the vertebrae, is disclosed in EP 0 669 109. This vertebral stabilizer comprises a spacing body, which is resistant to compression and is adapted to transfer forces between two screws implanted in the respective vertebrae, and a tensioning cord, which is connected between the two screws described above and passes in an internal longitudinal cavity obtained in the spacing body.

However, this stabilizer has a drawback, due to the fact that it is directly assembled locally on the spinal column after inserting the screws in the vertebrae, with open surgery in a space that is close to the vertebra. Therefore, the surgical procedure that allows to use such stabilization structure is highly invasive, since it is necessary to create close to the

vertebra enough space to perform the various steps of assembly, with considerable difficulty for the surgeon, who must arrange and assemble each individual element directly on the vertebra.

Moreover, the stabilizer described above does not allow a transverse  
5 connection between screws mounted on different vertebrae in order to transmit forces in a diagonal direction with respect to the axis of the spinal column.

Further, the tensioning cord must be threaded in the spacing body, and this require a higher skill effort for the surgeon.

10 Moreover, the surgeon may need a stabilizer that has both static and dynamic portions, i.e., he may have to create a hybrid stabilizer, in which the portions can be chosen by the surgeon according to the characteristics of the pathology.

Known types of stabilizer do not allow to create a stabilizer of the  
15 hybrid type.

WO2007/060534 A2 in the name of this same Applicant as the present invention, discloses a vertebral stabilizer of the dynamic modular type, which is adapted to be assembled separately from the spinal column and then fitted onto the spinal column in a few seconds.

20 However, the known type of stabilizer device is unable to adapt to angle variations with which the pedicle screws might be fitted within the vertebrae, and therefore, if the positioning of such pedicle screws is not performed, in two adjacent vertebrae, with the same angle, the surgeon encounters difficulties in fitting the stabilizer device fitted over the head of  
25 the pedicle screws.

### **Disclosure of the Invention**

The aim of the present invention is to provide a device for stabilizing the spinal column which allows connection between adjacent vertebrae, allowing different angles between pedicle screws inserted in adjacent  
30 vertebrae.

Within this aim, an object of the present invention is to provide a stabilizer device that can be assembled separately from the spinal column and then fitted onto the spinal column with reduced invasiveness for the patient.

5 Another object of the present invention is to provide a spinal column stabilizer device that is modular, allowing therefore to provide a hybrid stabilizer device, i.e., a device that is static at one end and dynamic at the opposite end.

Another object of the present invention is to provide a stabilizer  
10 device that is highly reliable, relatively simple to provide and at competitive costs.

This aim and these and other objects that will become better apparent hereinafter are achieved by a stabilizer device for the spinal column, comprising a first body and a second body adapted to be mutually connected  
15 by a rod-like element, said first and second bodies being adapted to be fitted around first and second pedicle screws, which are adapted to be inserted in turn in two mutually adjacent vertebrae, said first and second bodies being fixable on said pedicle screws, characterized in that said first and second  
20 bodies are fork-shaped and adapted to accommodate locking means, said locking means being adapted to pass from a position for accommodating said pedicle screw to a position for locking said pedicle screw within said fork-shaped body.

### **Brief description of the drawings**

Further characteristics and advantages of the invention will become  
25 better apparent from the following detailed description of some preferred but not exclusive embodiments of the device according to the present invention, illustrated by way of non-limiting example in the accompanying drawings, wherein:

Figure 1 is an exploded perspective view of a stabilizer device  
30 according to the present invention;

Figure 2 is a top plan view of the stabilizer device according to the present invention, in a first embodiment, in an unassembled configuration around a pedicle screw;

Figure 3 is a top plan view of the stabilizer device according to the present invention, in the first embodiment, in an assembled configuration  
5 around the pedicle screw;

Figure 4 is a top plan view of the stabilizer device according to the present invention, in a second embodiment, in an unassembled configuration around the pedicle screw;

Figure 5 is a top plan view of the stabilizer device according to the present invention, in the second embodiment, in an assembled configuration  
10 around the pedicle screw.

With reference to the figures, a stabilizer device according to the present invention, generally designated by the reference numeral 1,  
15 comprises a fork-shaped body 2, which is adapted to engage a pedicle screw 3 designed to be inserted in a vertebra.

The fork-shaped body 2 is provided with a portion 4 which blends with the circular portion that forms the fork, the portion 4 having a seat that is adapted to accommodate a rod-like element 5.

Conveniently, the portion 4 has at least one hole 6 that is adapted to  
20 allow the insertion of stabilizing means, which are conveniently constituted for example by a cord 7 which is connected to a second fork-shaped body 2 arranged at the opposite end of the rod-like element 5.

Substantially, the stabilizer device according to the invention has first  
25 and second fork-shaped bodies 2, which are adapted to be connected by the rod-like element 5 and to engage respectively two pedicle screws 3 arranged respectively in two adjacent vertebrae which are adapted to be mutually stabilized.

The pedicle screws are conveniently headless and cannulated, so that  
30 they can be screwed into the vertebrae.

Conveniently, the rod-like element 5 is provided with a pair of mutually opposite lateral recesses 8, which are adapted to accommodate the cord 7 which must be fastened around the rod-like element 5.

Conveniently, the two ends of the cord 7 are provided with respective engagement means 9, which are adapted to allow tensioning of the cord 7.

Conveniently, the engagement means 9 can be provided for example with one end of the cord provided with a set of teeth and the opposite end provided with a receptacle, like a hose clamp.

In this manner, the surgeon can perform, separately from the spinal column, a fastening of the cord 7 around the rod-like element 5 and then, once the stabilizer device has been assembled, said device can be fitted around the pedicle screws 3 that are already accommodated in the holes provided in the vertebrae to be coupled in a stabilized manner.

Conveniently, the rod-like element 5 can be of the rigid type, in which case the presence of the cord 7 is not necessary, or of the elastic type, with which the cord 7 is therefore associated.

In a second embodiment of the device according to the invention, shown in Figures 4 and 5, the fork-shaped body 2 is provided in such a manner as to mate with a corresponding fork-shaped body 2 that is arranged in a diametrically opposite position with respect to the pedicle screw 3. In this case, the mating of the two fork-shaped bodies provides a complete disk-like element, which surrounds the pedicle screw 3 completely.

Therefore, differently from the first embodiment, in which the fork-shaped body 2 has a substantially U-shaped internal contour, the body 2 of the second embodiment has a semicircular internal contour, which is adapted to surround half of the pedicle screw 3, the other half of the screw being surrounded by the corresponding fork-shaped body 2 arranged diametrically opposite the first body.

In this manner it is possible to mutually connect more than two adjacent vertebrae and it is also possible to provide a hybrid modular

stabilizer device, i.e., a device that is partially static and partially dynamic, depending on whether the rod-like element 5 is of the rigid or elastic type.

It is in fact possible to connect to each other first and second adjacent vertebrae by using a rigid rod-like element and connect the second vertebra  
5 and a third vertebra, which is adjacent to the second vertebra, by using an elastic rod-like element. In this manner a hybrid stabilizer device is obtained.

Conveniently, the mating of two fork-shaped bodies 2 arranged mutually opposite with respect to the pedicle screw 3, as shown in Figures 4  
10 and 5, occurs by way of the presence of mating means 15 and 16 provided at each end of the fork.

Substantially, the mating means 15 are constituted for example by a protruding pin provided with a tooth 18, while the mating means 16 have a seat that is adapted to accommodate the pin 15 and the corresponding tooth  
15 18.

Each fork-shaped body therefore has a mating means 15 and a mating means 16 which are adapted to mate complementarily with similar means on the opposite fork-shaped body 2.

Other mating means are of course possible, so long as they are  
20 capable of ensuring a stable mating of the two fork-shaped bodies which are mutually opposite with respect to the pedicle screw 3.

The stabilizer device according to the invention, assembled away from the spinal column, is then inserted under the skin of the patient so that the distal fork-shaped body 2 engages the distal pedicle screw 3 and then the  
25 proximal fork-shaped body 2 fits on the pedicle screw 3.

In the first embodiment, locking of the fork-shaped body 2 is provided by way of locking means, such as for example an open annular element 20, which is C-shaped and inserted within the U-shaped portion of the fork-shaped body 2.

30 Such annular element is adapted to rotate freely within said U-shaped

portion, so that it can be turned around the pedicle screw 3, as shown in Figure 3, so as to lock the fork-shaped body 2 around the pedicle screw 3.

The rotation of the annular element 20 can be performed thanks to the presence of a pair of holes 21 arranged at the face of the fork-shaped body 2, which allows the insertion of a tool that allows to turn the annular element 20.

In practice it has been found that the stabilizer device according to the present invention fully achieves the intended aim and objects, since it allows to be assembled away from the spinal column, allows to adapt to different implantation angles of the pedicle screws within the vertebrae, and allows to provide hybrid structures with rigid portions and elastic portions.

The stabilizer device thus conceived is susceptible of numerous modifications and variations, all of which are within the scope of the appended claims; all the details may further be replaced with other technically equivalent elements.

In practice, the materials used, as well as the contingent shapes and dimensions, may be any according to requirements and to the state of the art.

The disclosures in Italian Patent Application No. MI2008A002240 from which this application claims priority are incorporated herein by reference.

Where technical features mentioned in any claim are followed by reference signs, those reference signs have been included for the sole purpose of increasing the intelligibility of the claims and accordingly, such reference signs do not have any limiting effect on the interpretation of each element identified by way of example by such reference signs.

CLAIMS

1. A stabilizer device for the spinal column, comprising a first body and a second body adapted to be mutually connected by a rod-like element, said first and second bodies being adapted to be fitted around first and second pedicle screws, which are adapted to be inserted in turn in two mutually adjacent vertebrae, said first and second bodies being fixable on said pedicle screws, characterized in that said first and second bodies are fork-shaped and adapted to accommodate locking means, said locking means being adapted to pass from a position for accommodating said pedicle screw to a position for locking said pedicle screw within said fork-shaped body.

2. The stabilizer device according to claim 1, characterized in that said locking means comprise a substantially C-shaped annular element, which is adapted to rotate freely within said fork-shaped body and to pass from a position for accommodating said pedicle screw to a position for locking said pedicle screw when said C-shaped element is rotated about said pedicle screw.

3. The stabilizer device according to claim 1, characterized in that said first and second fork-shaped bodies have a protruding portion that blends with said body to accommodate said rod-like element.

4. The stabilizer device according to claim 1 or 2, characterized in that said rod-like element is a rigid rod-like element.

5. The stabilizer device according to one or more of the preceding claims, characterized in that said rod-like element is an elastic rod-like element.

6. The stabilizer device according to one or more of the preceding claims, characterized in that said rod-like element is provided with a pair of mutually opposite lateral recesses, which are adapted to accommodate a retention cord that is adapted to be gripped around said rod-like element.

7. The stabilizer device according to one or more of the preceding

claims, characterized in that at least one of said first and second fork-shaped bodies is provided with means for mating with a respective similar fork-shaped body.

8. The stabilizer device according to claim 7, characterized in that  
5 said mating means allow to mate two mutually identical fork-shaped bodies around said pedicle screw.

9. The stabilizer device according to one or more of the preceding claims, characterized in that said fork-shaped body is provided with at least one hole on its upper surface which is adapted to allow the insertion of a  
10 tool for the rotation of said C-shaped annular element.

10. The stabilizer device according to one or more of the preceding claims, characterized in that said protruding portion of said fork-shaped body is provided with at least one hole for the insertion of said cord or of a grub screw that is adapted to lock said rod-like element within said  
15 protruding portion.

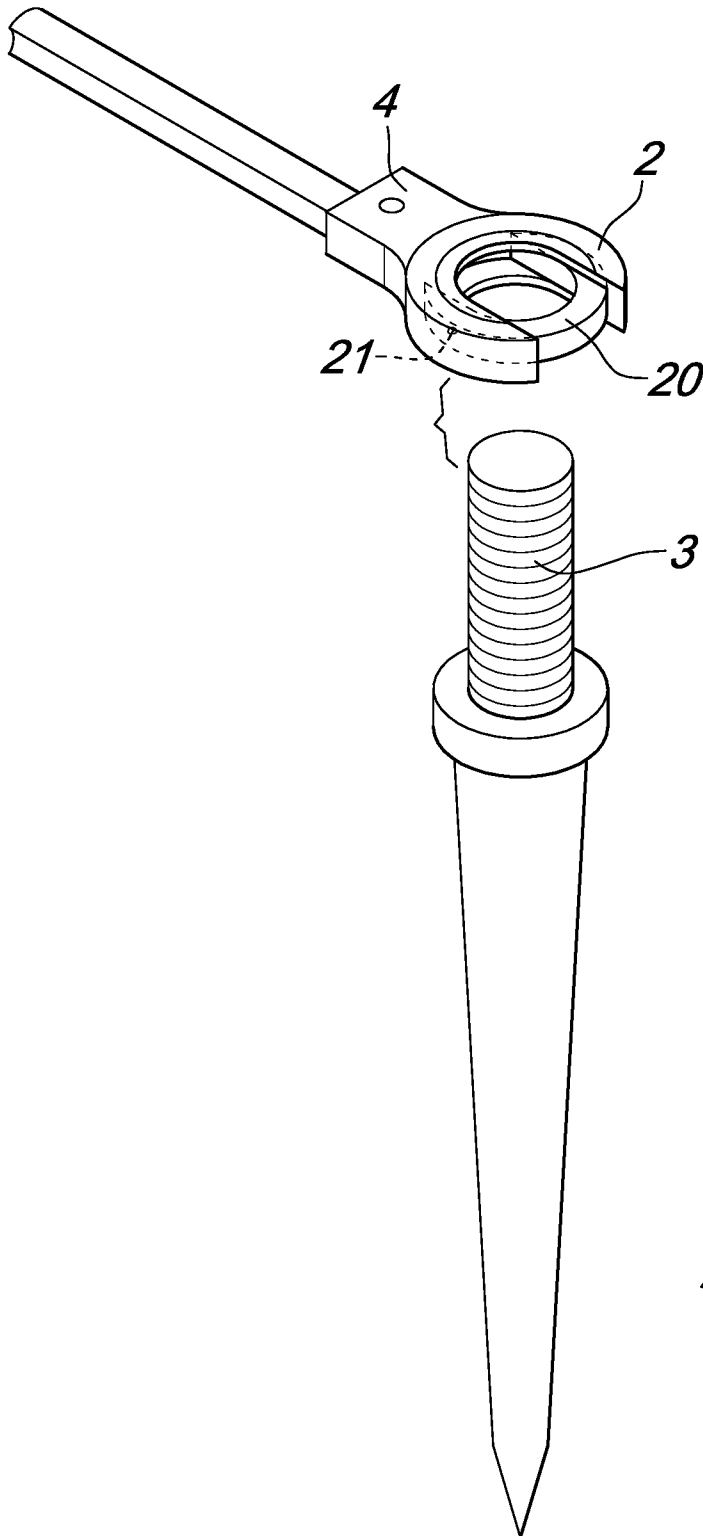
11. An element for fixing to a pedicle screw, comprising a body adapted to be fitted around said pedicle screw, characterized in that said body is fork-shaped and accommodates locking means which are adapted to pass from a position for accommodating said pedicle screw within said body  
20 to a position for locking said pedicle screw within said body.

12. The fixing element according to claim 1, characterized in that said locking means comprise a C-shaped open annular element, which is adapted to rotate within said fork-shaped body and to pass from a position for accommodating said pedicle screw to a position for locking said pedicle  
25 screw when said open annular element is locked around said pedicle screw.

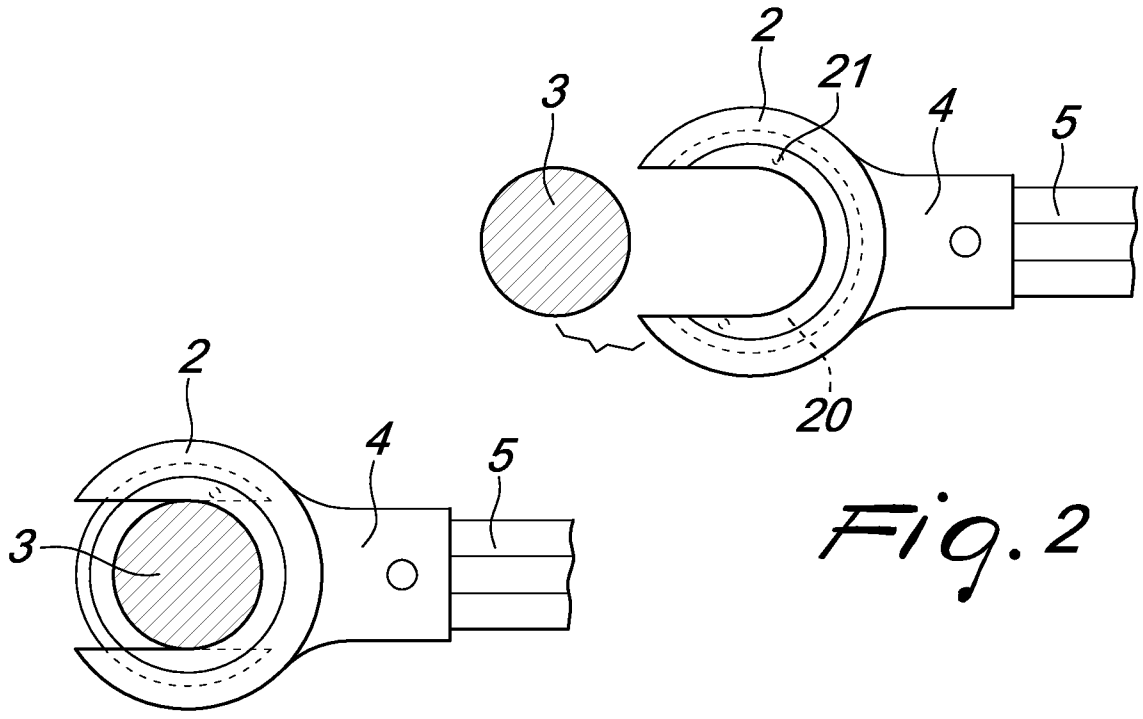
13. The fixing element according to claim 11, characterized in that said fork shaped body is provided with means for mutual mating with a respective similar fork-shaped body, for the mating of said fork-shaped bodies around said pedicle screw.

30 14. The fixing element according to claim 11, characterized in that

said fork-shaped body contains a protruding portion provided with at least one hole for the passage of a retention cord or of a grub screw that is adapted to lock a rod-like element within said protruding portion.

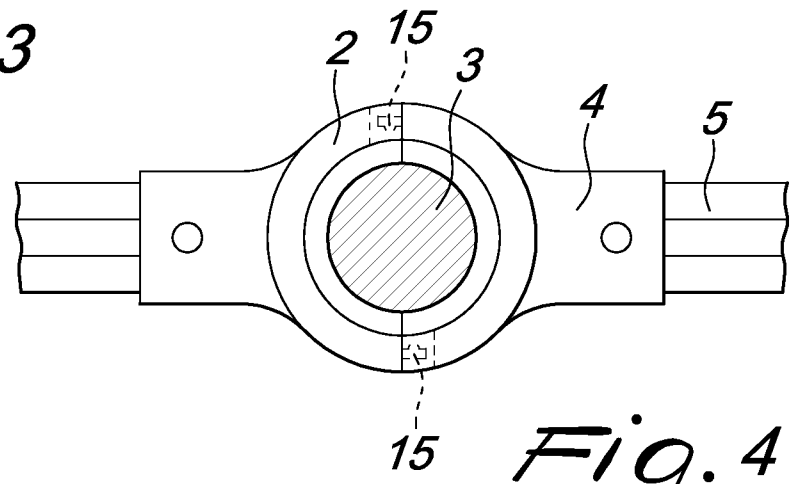


*Fig. 1*

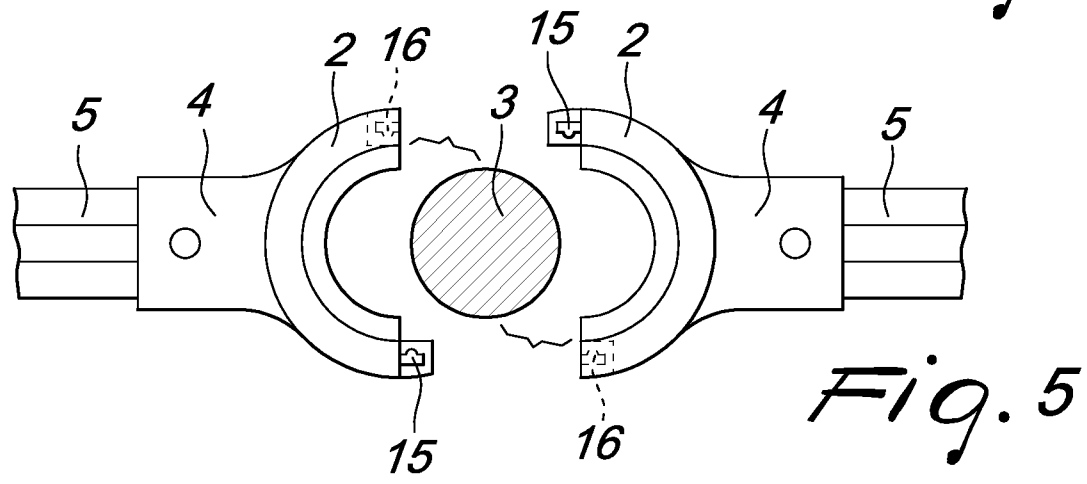


*Fig. 2*

*Fig. 3*



*Fig. 4*



*Fig. 5*

## INTERNATIONAL SEARCH REPORT

International application No  
PCT/EP2009/067203A. CLASSIFICATION OF SUBJECT MATTER  
INV. A61B17/70

According to International Patent Classification (IPC) or to both national classification and IPC

## B. FIELDS SEARCHED

Minimum documentation searched (classification system followed by classification symbols)  
A61B

Documentation searched other than minimum documentation to the extent that such documents are included in the fields searched

Electronic data base consulted during the international search (name of data base and, where practical, search terms used)

EPO-Internal

## C. DOCUMENTS CONSIDERED TO BE RELEVANT

Category*	Citation of document, with indication, where appropriate, of the relevant passages	Relevant to claim No.
X	US 5 312 405 A (KOROTKO JOSEPH R [US] ET AL) 17 May 1994 (1994-05-17) figure 2	1-6, 11-12
X	WO 2008/124196 A (SCHNEIDERMAN GARY A [US]; GLENN BRADLEY J [US]) 16 October 2008 (2008-10-16) figures 1,5,8	1,11
X	WO 00/18312 A (PERUMALA CORP [US]; PISHARODI MADHAVAN [US]) 6 April 2000 (2000-04-06) figures 10,12	1,11
A	WO 2007/060534 A (CALVOSA GIUSEPPE [IT]; TENUCCI MIRIA [IT]) 31 May 2007 (2007-05-31) cited in the application the whole document	1

 Further documents are listed in the continuation of Box C. See patent family annex.

\* Special categories of cited documents :

"A" document defining the general state of the art which is not considered to be of particular relevance

"E" earlier document but published on or after the international filing date

"L" document which may throw doubts on priority claim(s) or which is cited to establish the publication date of another citation or other special reason (as specified)

"O" document referring to an oral disclosure, use, exhibition or other means

"P" document published prior to the international filing date but later than the priority date claimed

"T" later document published after the international filing date or priority date and not in conflict with the application but cited to understand the principle or theory underlying the invention

"X" document of particular relevance; the claimed invention cannot be considered novel or cannot be considered to involve an inventive step when the document is taken alone

"Y" document of particular relevance; the claimed invention cannot be considered to involve an inventive step when the document is combined with one or more other such documents, such combination being obvious to a person skilled in the art.

"&amp;" document member of the same patent family

Date of the actual completion of the international search

15 February 2010

Date of mailing of the international search report

23/02/2010

Name and mailing address of the ISA/

European Patent Office, P.B. 5818 Patentlaan 2  
NL - 2280 HV Rijswijk  
Tel. (+31-70) 340-2040,  
Fax: (+31-70) 340-3016

Authorized officer

Ducreau, Francis

# INTERNATIONAL SEARCH REPORT

Information on patent family members

International application No

PCT/EP2009/067203

Patent document cited in search report	Publication date	Patent family member(s)	Publication date	
US 5312405	A	17-05-1994	AU 3862093 A	13-01-1994
			CA 2096108 A1	07-01-1994
			DE 69330810 D1	31-10-2001
			DE 69330810 T2	11-04-2002
			EP 0578320 A1	12-01-1994
			JP 3380589 B2	24-02-2003
			JP 6165788 A	14-06-1994
			<hr/>	
WO 2008124196	A	16-10-2008	US 2008255619 A1	16-10-2008
WO 0018312	A	06-04-2000	AT 333243 T	15-08-2006
			AU 6162699 A	17-04-2000
			CA 2345042 A1	06-04-2000
			DE 69932444 T2	08-03-2007
			EP 1115344 A1	18-07-2001
			US 6355038 B1	12-03-2002
			US 6669697 B1	30-12-2003
			<hr/>	
WO 2007060534	A	31-05-2007	EP 1954205 A2	13-08-2008
			US 2008262546 A1	23-10-2008
<hr/>				