



US00D405147S

# United States Patent [19]

[11] Patent Number: **Des. 405,147**

Cash et al.

[45] Date of Patent: **\*\*Feb. 2, 1999**

[54] **STRAIGHT LINE MUZZLELOADING CAP DISPENSER**

3,080,672	3/1963	Huber .....	42/57
3,303,593	2/1967	Moe et al. ....	42/57
3,362,097	1/1968	Ferri et al. ....	42/57 X

[75] Inventors: **Tedd D. Cash**, Waunakee; **John W. Billhorn**, Prairie du Sac, both of Wis.

### OTHER PUBLICATIONS

"#Capper-P Inline capper brass \$8.50," undated advertisement.  
Thompson/Center Arms, Catalog 2, Published 1995, p. 36.  
Mountain State Muzzleloading, p. 52.

[73] Assignee: **Cash Manufacturing Co., Inc.**, Waunakee, Wis.

*Primary Examiner*—Louis S. Zarfaz  
*Assistant Examiner*—Monica A. Weingart  
*Attorney, Agent, or Firm*—Lathrop & Clark

[\*\*] Term: **14 Years**

[21] Appl. No.: **56,498**

### [57] CLAIM

[22] Filed: **Jul. 1, 1996**

The ornamental design for a straight line muzzleloading cap dispenser, as shown and described.

[51] **LOC (6) Cl.** ..... **22-01**

[52] **U.S. Cl.** ..... **D22/108**; D22/100; D22/115; D22/116; D22/199

### DESCRIPTION

[58] **Field of Search** ..... D22/100, 108, D22/115, 116, 199; D21/145, 146, 147; 42/54, 57; 124/51.1, 82, 31, 37, 66, 67, 73, 76; 273/129 S, 129 T

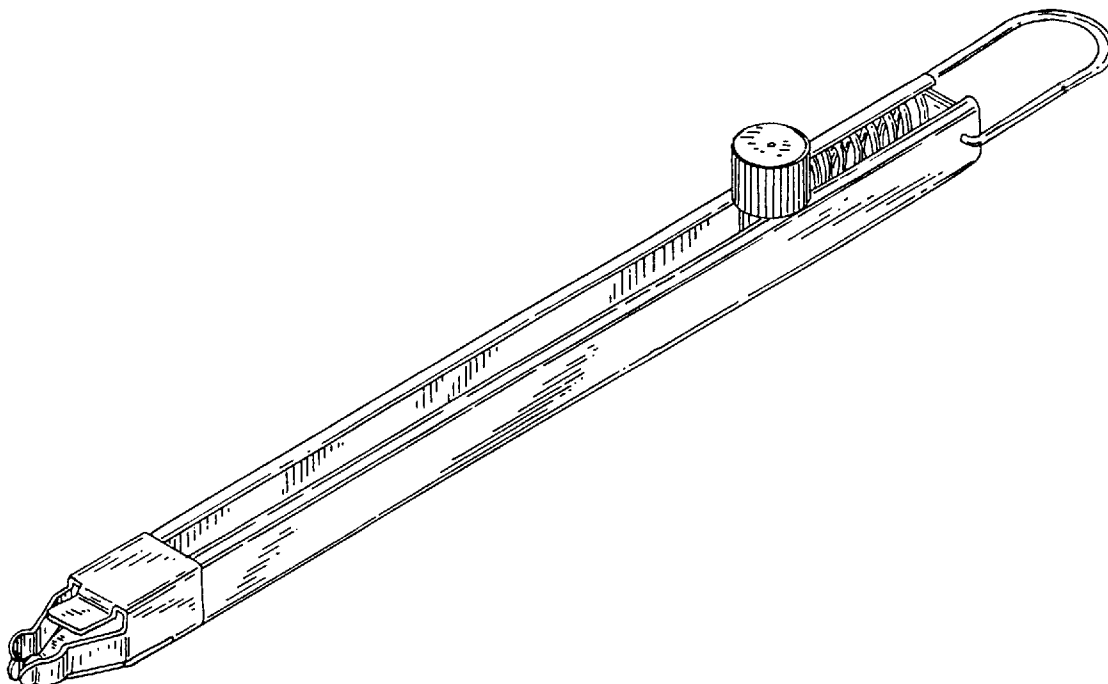
FIG. 1 is an isometric view of the straight line muzzleloading cap dispenser of this invention;  
FIG. 2 is a top plan view thereof;  
FIG. 3 is a right side elevational view thereof;  
FIG. 4 is a bottom plan view thereof;  
FIG. 5 is an inverted left side elevational view thereof;  
FIG. 6 is a front elevational view thereof; and,  
FIG. 7 is a rear elevational view thereof.

### [56] References Cited

#### U.S. PATENT DOCUMENTS

D. 142,246	8/1945	Schuler .....	D22/108 X
2,758,585	8/1956	Fields .....	124/37 X
2,866,287	12/1958	Ryan .....	42/57 X
2,989,814	6/1961	Licitis .....	42/57

**1 Claim, 1 Drawing Sheet**



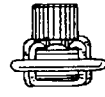
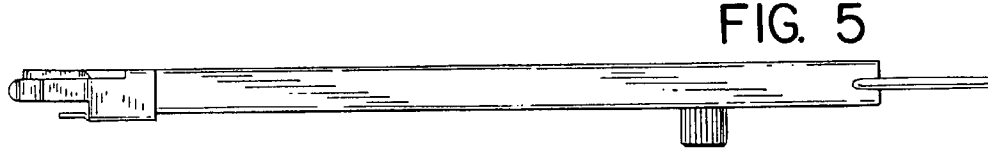
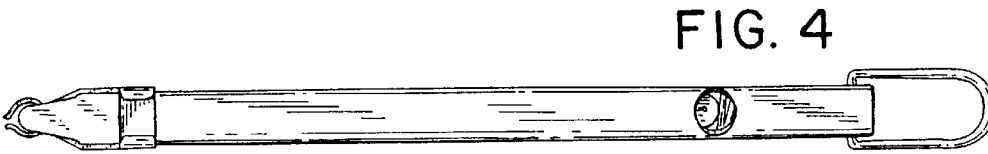
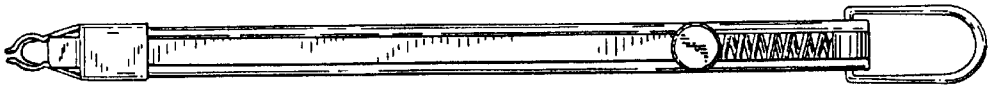
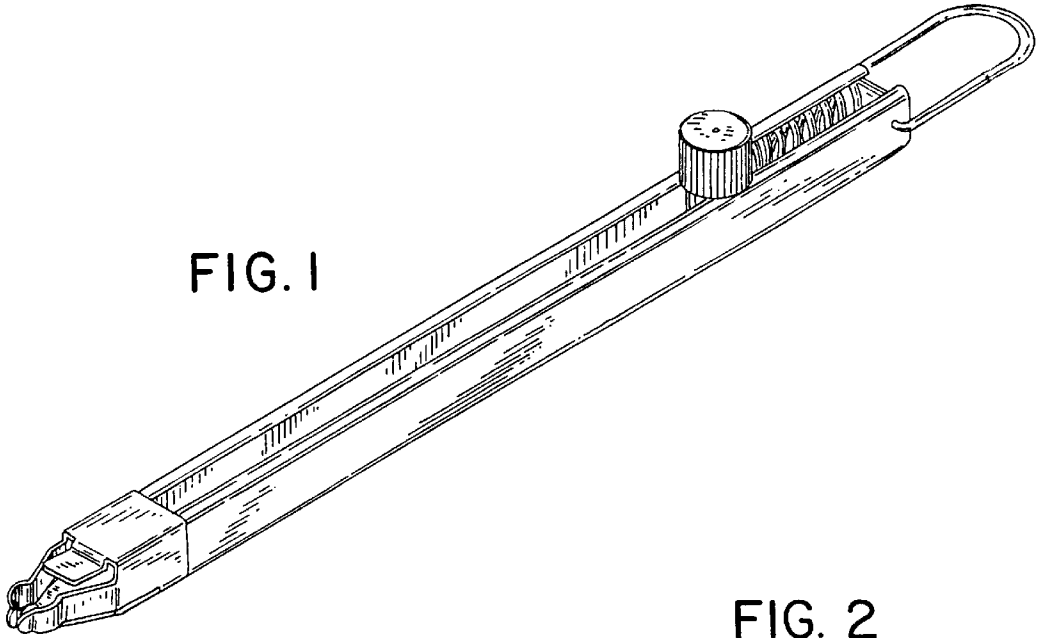


FIG. 6

FIG. 7