



⑫

EUROPEAN PATENT SPECIFICATION

④⑤ Date of publication of patent specification :
31.05.95 Bulletin 95/22

⑤① Int. Cl.⁶ : **H03F 1/02, H03F 3/30**

②① Application number : **91200281.3**

②② Date of filing : **11.02.91**

⑤④ **Current compensation circuit**

③⑩ Priority : **14.02.90 NL 9000351**

⑦③ Proprietor : **Philips Electronics N.V.**
Groenewoudseweg 1
NL-5621 BA Eindhoven (NL)

④③ Date of publication of application :
21.08.91 Bulletin 91/34

⑦② Inventor : **Huijsing, Johan Hendrik**
c/o INT. OCTROOIBUREAU B.V.,
Prof. Holstlaan 6
NL-5656 AA Eindhoven (NL)
Inventor : **Fonderie, Maarten Jeroen**
c/o INT. OCTROOIBUREAU B.V.,
Prof. Holstlaan 6
NL-5656 AA Eindhoven (NL)

④⑤ Publication of the grant of the patent :
31.05.95 Bulletin 95/22

⑧④ Designated Contracting States :
DE FR GB IT NL

⑤⑥ References cited :
DE-A- 3 126 357
US-A- 4 015 215
US-A- 4 481 481
PATENT ABSTRACTS OF JAPAN vol. 13, no.
568 (E-861)(3916) 15 December 1989, & JP-A-01
236804 (MATSUSHITA ELECTRIC IND CO LTD)
21 September 1989,
IEEE JOURNAL OF SOLID-STATE CIRCUITS.
vol. sc11, no. 2, April 1976, NEW YORK US
pages 323 - 328; J.H. Huijsing, F. Tol:
"Monolithic Operational Amplifier Design with
Improved HF Behavior"

⑦④ Representative : **Faessen, Louis Marie**
Hubertus et al
INTERNATIONAAL OCTROOIBUREAU B.V.,
Prof. Holstlaan 6
NL-5656 AA Eindhoven (NL)

EP 0 442 573 B1

Note : Within nine months from the publication of the mention of the grant of the European patent, any person may give notice to the European Patent Office of opposition to the European patent granted. Notice of opposition shall be filed in a written reasoned statement. It shall not be deemed to have been filed until the opposition fee has been paid (Art. 99(1) European patent convention).

Description

The invention relates to an electronic circuit comprising a series connection of a load and a first control current source, inserted between first and second supply terminals, for producing a first current, the load and the control current source being connected to a first control terminal.

A circuit of this type is widely known i.e. from DE-A-3 126 357 or from Patent Abstract of Japan, Vol. 13, no 568 (E-861) (3916) 15.12.89, & JP-A-01 236804. The load may be, for example, a resistor, a diode, a pilot lamp or an amplifier stage, whereas the first control current source may be embodied in a control transistor or an amplifier control stage. The first current of the first control current source is to be adapted to the current need of the load. If the first current is inadequate, additional amplifier means are to be inserted between the first control current source and the load. Such a way of amplification is disadvantageous in that signal deterioration occurs in the signal transfer from the first control current source and the load, for example, caused by high-frequency signal loss or phase shift in the amplifier means inserted between the first control current source and the load.

It is an object of the invention to provide an electronic circuit in which without amplifier means inserted between the first control current source and the load the first current of the first control current source is transferred in an amplified version to the load.

According to the invention an electronic circuit of the type set forth in the preamble is characterized in that the electronic circuit further includes a second control current source for producing a second current that is substantially equal to the first current, a second control terminal connected to the second control current source and to a current follower having a current follower input for receiving a current to be followed and having first and second current follower outputs for delivering currents that are proportional to the current to be followed, the current follower input and the first current follower output being coupled to the second control terminal and the second current follower output being coupled to the first control terminal.

The second current follower output delivers to the first control terminal a current that is a multiple of the first current of the first control current source. This current flows into the load connected to the first control terminal and compensates for the necessary load current. Consequently, the first control current source is loaded much less. The direct link between the load and the first control current source is maintained, so that signal deterioration between the first control current source and the load cannot occur.

The operation of current following in the current follower can be realised in an embodiment in which the current follower comprises first and second current mirror circuits having each a current input for con-

necting a current to be mirrored and a common current terminal for connecting a supply current, the first current mirror circuit having a current output and the second current mirror circuit having first and second current outputs for delivering currents proportional to the current to be mirrored and flowing in the same direction, the current input of the first current mirror circuit being coupled to the current follower input, the current output of the first current mirror circuit being coupled to the current input of the second current mirror circuit and the first and second current outputs of the second current mirror circuit being coupled to the first and second current follower outputs respectively.

The first current mirror circuit has a single current output, the second current mirror circuit has two. By connecting the current output of the first current mirror circuit to the current input of the second current mirror circuit, two currents are available that flow in the same direction as the input current of the first current mirror circuit.

In a further embodiment the current mirror circuits are characterized, in that the first current mirror circuit comprises first and second transistors of a same conductivity type, having each a base, an emitter and a collector, whose base-emitter junctions are connected in parallel, their emitters being connected to the common current terminal of the first current mirror circuit and their collectors being coupled to the respective current input and current output of the first current mirror circuit, and in that the second current mirror circuit comprises third, fourth and fifth transistors of a same conductivity type, having each a base, an emitter and a collector, the base-emitter junctions of these third, fourth and fifth transistors being connected in parallel, their emitters being connected to the common current terminal of the second current mirror circuit and their collectors being coupled to the current input, the first current output and the second current output respectively, of the second current mirror circuit.

This basic embodiment of the current mirror circuit may be refined and adjusted to the type of load. A first refined embodiment is characterized, in that the conductivity type of the third, fourth and fifth transistors is opposite to the conductivity type of the first and second transistors and in that the electronic circuit further includes sixth, seventh, eighth and ninth transistors of a conductivity type equal to that of the first and second transistors and tenth, eleventh and twelfth transistors of a conductivity type equal to that of the third, fourth and fifth transistors, all having a base, an emitter and a collector, whereas the collectors of the first and second transistors are connected to the emitters of the respective sixth and seventh transistors respectively, the bases of the sixth and seventh transistors are interconnected, the collector of the sixth transistor is connected to the base of the first transistor and to the current input of the first cur-

rent mirror circuit, the collector of the seventh transistor is connected to the base of the seventh transistor and to the current output of the first current mirror circuit, the emitters of the eighth and ninth transistors are connected to the emitter of the seventh transistor, their bases to a reference voltage source, and the collector of the eighth transistor is coupled to the base of the third transistor and the collector of the ninth transistor is coupled to the collector and the base of the tenth transistor whose base-emitter junction is connected in parallel to the base-emitter junctions of the eleventh and twelfth transistors, the emitters of the tenth, eleventh and twelfth transistors are connected to the common current terminal of the second current mirror circuit, and the collectors of the respective eleventh and twelfth transistors are coupled to the respective first and second current outputs of the second current mirror circuit.

This current follower is extremely suitable if PNP transistors are selected for the first current mirror circuit and NPN transistors are selected for the second current mirror circuit.

A second refined embodiment is characterized, in that the electronic circuit further includes a thirteenth transistor of a conductivity type opposite to that of the third transistor and having a base, emitter and collector connected to a reference voltage source, the collector of the third transistor and the base of the third transistor respectively.

This current follower is extremely suitable if NPN transistors are selected for the first current mirror circuit and PNP transistors are selected for the second current mirror circuit.

Driving the electronic circuit on the first and second control terminals is effected by means of two control current sources which, according to an embodiment, may be characterized, in that the first and second control current sources are arranged as fourteenth and fifteenth transistors respectively of a first conductivity type, having each a base, emitter and a collector, their bases being connected to a first input terminal and the emitters to a common junction, and the collectors of the fourteenth and fifteenth transistors being coupled to the first and second control terminals respectively.

By the matching of the fourteenth and fifteenth transistors, a good similarity of the two control current sources can be achieved.

The load may be selected to be a transistor. In that case the electronic circuit may be characterized, in that the electronic circuit further includes a sixteenth transistor having a base, emitter and a collector, whose base is connected to the first control terminal and of which a main current path formed by the emitter and the collector is connected to an output terminal.

The sixteenth transistor operates as the output transistor of an amplifier stage having an input terminal,

an output terminal and two supply terminals. In this stage the sixteenth transistor may be a PNP transistor, in which case the electronic circuit in a preferred embodiment may be characterized, in that the sixteenth transistor is of a second conductivity type opposite to the first conductivity type, the emitter and the collector of the sixteenth transistor being coupled to the respective first supply terminal and the output terminal, in that the first and second transistors are of the second conductivity type and the third, fourth and fifth transistors are of the first conductivity type and in that the common terminals of the first and second current mirror circuits are connected to the first and second supply terminals respectively.

In this case the second current mirror circuit is arranged to comprise transistors of a conductivity type opposite to that of the sixteenth transistor so that a large base current may be supplied to the sixteenth transistor without additional bias current sources. A circuit of this type still operates properly with a supply voltage of a mere 1 volt across the first and second supply terminals.

When selecting an NPN transistor for the sixteenth transistor, in a preferred embodiment the electronic circuit may be characterized, in that the sixteenth transistor is of the first conductivity type, the emitter and the collector of the sixteenth transistor being coupled to the output terminal and the first supply terminal respectively, in that the first and second transistors are of the first conductivity type and the third, fourth and fifth transistors of a second conductivity type opposite to the first conductivity type and in that the common terminals of the first and second current mirror circuits are connected to the output terminal and the first supply terminal respectively.

In this case the sixteenth transistor is arranged as an emitter follower. Also in this case the transistors of the second current mirror circuit are selected to be of a conductivity type adapted to the base current of the sixteenth transistor.

The sixteenth transistor may also be incorporated in a common-emitter circuit. In that case the electronic circuit may be characterized, in that the sixteenth transistor is of the first conductivity type, the emitter and the collector of the sixteenth transistor being coupled to the second supply terminal and the output terminal respectively, in that the first and second transistors are of the first conductivity type and the third, fourth and fifth transistors of a second conductivity type opposite to the first conductivity type and in that the common terminals of the first and second current mirror circuits are connected to the second and first supply terminals respectively.

In lieu of an asymmetric drive on a single input terminal, a symmetric drive is likewise possible by means of a differential input. An extremely suitable embodiment of this is characterized, in that the electronic circuit further includes a first bias current

source inserted between the common junction and the second supply terminal, seventeenth and eighteenth transistors of the first conductivity type having each a base, emitter and a collector, whose bases are connected to a second input terminal and their emitters to the common junction; nineteenth, twentieth, twenty-first and twenty-second transistors of the second conductivity type having each a base, emitter and a collector, whose base-emitter junctions are connected in parallel and whose emitters are connected to the first supply terminal and whose collectors are coupled to the collectors of the eighteenth, seventeenth, fourteenth and fifteenth transistors respectively.

This embodiment is extremely suitable in combination with the afore-mentioned embodiments comprising a sixteenth transistor of the PNP type if it is further characterized, in that the base of the nineteenth transistor is connected to the collector of the nineteenth transistor and in that the electronic circuit further includes twenty-third, twenty-fourth and twenty-fifth transistors of the second conductivity type, having each a base, emitter and a collector, whose base-emitter junctions are connected in parallel, whose emitters are connected to the first supply terminal and whose bases are coupled to the collector of the seventeenth transistor and whose collectors are coupled to the collectors of the seventeenth, fourteenth and fifteenth transistors respectively.

When using a sixteenth transistor of the NPN type, an extremely suitable embodiment is obtained if the electronic circuit further includes a twenty-sixth transistor of the second conductivity type having a base, emitter and a collector, whose base-emitter junction is connected in parallel to the base-emitter junctions of the nineteenth to twenty-second transistors and whose base and collector are interconnected and coupled to the first supply terminal via a second bias current source, and twenty-seventh to thirtieth transistors of the first conductivity type having each a base, emitter and a collector, whose bases are connected to the collector of the seventeenth transistor, their emitters to the second supply terminal and whose collectors are connected to the collectors of the eighteenth, seventeenth, fourteenth and fifteenth transistors respectively and the collector of the eighteenth transistor being interconnected to the collector of the seventeenth transistor.

In both cases the differential input stage is fully symmetrical and balanced which benefits the offset reduction between the first and second input terminals.

In the case of a differential drive, it is possible to include the first and second current mirror circuits in the differential input stage so that a considerable component reduction is possible. A first embodiment of this is characterized, in that the first and second control current sources are constituted by sixth and

seventh transistors respectively, of a first conductivity type, having each a base, emitter and a collector, the bases being connected to a first input terminal and the emitters to a common junction, which junction is coupled to the second supply terminal via a bias current source, and the collectors of the sixth and seventh transistors being coupled to the first and second control terminals respectively, in that the common terminals of the first and second current mirror circuits are connected to the first supply terminal, in that the first to fifth transistors are of a second conductivity type opposite to the first conductivity type and the base-collector junctions of the first and third transistors are short-circuited, and in that the electronic circuit further includes an eighth transistor of the first conductivity type having a base, emitter and a collector connected to a second input terminal, the common junction and the current input of the second current mirror circuit respectively. A fully symmetrical very suitable embodiment comprising a PNP transistor as a load may further be characterized, in that the electronic circuit further includes a ninth transistor of the first conductivity type and tenth to twelfth transistors of the second conductivity type, all having a base, emitter and a collector, the base and the emitter of the ninth transistor being connected to the second input terminal and the common junction respectively, and the collector of the ninth transistor being connected to the collector of the tenth transistor, whose base-emitter junction is connected in parallel to that of the third transistor, and is also connected to the bases of the eleventh, twelfth and thirteenth transistors, the emitters of these eleventh to thirteenth transistors being connected to the first supply terminal and their collectors being connected to the collector of the ninth transistor, the second control terminal and the first control terminal respectively.

An embodiment extremely suitable for use comprising as a load an NPN transistor arranged as an emitter-follower, may further be characterized, in that the first and second control current sources are constituted by sixth and seventh transistors respectively, of a first conductivity type, having each a base, emitter and a collector, the bases being connected to a first input terminal and the emitters to a common junction, which junction is coupled to a second supply terminal via a bias current source, and the collectors being coupled to the first and second control terminals respectively, in that the common terminals of the first and second current mirror circuits are connected to the common junction and the first supply terminal respectively, in that the first and second transistors are of the first conductivity type and the third, fourth and fifth transistors of a second conductivity type opposite to the first conductivity type, and the base-collector junctions of the first and third transistors are short-circuited, and in that the electronic circuit further includes eighth and ninth transistors of the first

conductivity type having each a base, emitter and a collector, the base, emitter and collector of the eighth transistor being connected to a second input terminal, the common junction and the current input of the second current mirror circuit respectively, and the base of the ninth transistor being connected to the first control terminal, and the emitter and collector of the ninth transistor being connected to an output terminal and the first supply terminal respectively.

The invention will be further explained with reference to the appended drawing, in which:

Fig. 1 shows the basic principle of an electronic circuit according to the invention and the Figs. 2 to 9 show embodiments of an electronic circuit according to the invention.

In these Figures like components have like reference characters.

Fig. 1 shows the basic principle of the electronic circuit according to the invention. Between a first supply terminal 1 and a second supply terminal 2 there is a series connection of a load L and a control current source 3. The load L and the control current source 3 are linked in a control terminal 4. The load L may be, for example, a resistor, a diode or a base of a transistor driven by the control current source 3. The current through the load L is i_L and the current the control current source can produce is i . If the current i is insufficient for the desired current i_L , the current i will have to be amplified in one way or another. This is possible by inserting an amplifier between the control terminal 4 and the load L. More particularly, when the frequencies of the input current i are increased, such an amplifier will cause a disturbance in the signal quality because of the introduction of an extra pole in the signal transmission from control current source 3 to load L. This disturbance may be avoided by means of the circuit according to the invention. It includes a second control terminal 5 and a second control current source 6 that produces a current equal to the current i of the first control current source 3. It further includes a current follower 7 having a current follower input 8 and a first current follower output 9 and a second current follower output 10. The current follower 7 produces at the two current follower outputs 9, 10 currents $s \cdot i_{in}$ which are substantially equal to the current i_{in} applied to the current follower input 8. The current follower input 8 and the current follower output 9 are connected, as is the second control current source 6, to the second control terminal 5. The current follower output 10 is connected to the first control terminal 4. From this configuration it may easily be calculated that:

$$i_L = I/(1 - s).$$

The current flowing through the control current source 3 is therefore only a fraction of the current i_L flowing through the load L. The current follower 7 and the second control current source 6 largely compensate for the current i_L , so that now a proportionally

smaller control current i may suffice. The current i is transferred in an amplified version to the load L without interrupting the connection between the load L and the control current source.

Fig. 2 shows an embodiment of an electronic circuit according to the principle represented in Fig. 1. The current follower 7 comprises a first current mirror circuit 11 having a current input 12, a current output 13 and a common current terminal 14 and includes a second current mirror circuit 24 having a current input 15, a first current output 16, a second current output 17 and a common current terminal 18. The current input 12 corresponds to the current follower input 8 and is connected to the second control terminal 5. The current outputs 16 and 17 correspond to the first current follower output 9 and the second current follower output 10 respectively, and are connected to the respective second control terminal 5 and the first control terminal 4. The current output 13 is connected to the current input 15. The common current terminals 14 and 18 are connected to, respectively, the first supply terminal 1 and the second supply terminal 2. The first current mirror circuit 11 is formed by two PNP transistors T1 and T2 whose collector-emitter junctions are connected between the current input 12 and current terminal 14 and between the current output 13 and current terminal 14 respectively. The base-emitter junctions of the transistors T1 and T2 are connected in parallel and connected to the current terminal 14 on the emitter side. The base and collector of the transistor T1 are interconnected. The second current mirror circuit 24 is formed by the NPN transistors T3, T4 and T5 whose base-emitter junctions are connected in parallel and whose emitters are connected to the current terminal 18. The collectors of the transistors T3, T4 and T5 are connected to the current input 15, the current output 16 and the current output 17 respectively, whereas the collector of transistor T3 is also connected to its base. The stacking of the thus arranged first and second current mirror circuits 11, 24 between the supply terminals 1, 2 causes a current applied to the current follower input 8 to make a current substantially equal thereto flow from the current follower outputs 9 and 10.

The first and second control current sources comprise NPN transistors T14 and T15 whose bases are connected to an input terminal 19, whose emitters are connected to a common junction 20 that is connected to the supply terminal 2 and whose collectors are connected to the first control terminal 4 and the second control terminal 5 respectively, and, in addition, to the supply terminal 1 by means of a bias current source 21 and a bias current source 22 respectively. A PNP transistor T16, whose base is connected to control terminal 4, whose emitter is connected to the supply terminal 1 and whose collector is connected to an output terminal 23, acts as a load for the first control terminal 4.

The circuit shown in Fig. 2 may be regarded as an amplifier stage having an input 19 and an output 23 and comprising an input stage T14 which is substantially not loaded by the base of transistor T16. This circuit is suitable for low supply voltages from about 1 volt and may nevertheless be capable of producing large currents at the output terminal 23. Over the collector and the base of transistor T16 a Miller capacitor Cm1 may be introduced to render the amplifier stage suitable in a negative feedback amplifier system. In that case also the current flowing through the Miller capacitor Cm1 will be compensated for, so that the desired effect of the Miller capacitor is eliminated. In order to avoid this, another Miller capacitor Cm2 is to be inserted between the collector of transistor T16 and the current follower input 8. The compensation of the Miller current component in the base current of transistor T16 is thus eliminated.

The base current for transistor T16 is supplied, in essence, by the current follower output 10. The choice of NPN transistors in the second current mirror circuit 24 makes a simple drive of the transistor T16 possible because an increasing base current is effected as a result of an increasing conduction of transistor T5. Separate d.c. current sources for quiescent current adjustment of the current mirror circuits 11, 24 are not necessary.

Fig. 3 shows another embodiment of an electronic circuit according to the invention. The circuit shown is essentially equal to that of Fig. 2, but the transistors of the first and second current mirror circuits now have opposite conductivity types, whereas the common current terminals 14 and 18 are now connected to the output terminal 23 and supply terminal 1 respectively. This configuration is opted for because transistor T16 is now selected to be an NPN transistor whose collector is connected to supply terminal 1 and whose emitter is connected to output terminal 23. However, it is alternatively possible to connect current terminal 14 to supply terminal 2 in lieu of output terminal 23. Transistor T16 is arranged as an emitter follower. A configuration in which NPN transistor T16 operates in a common-emitter circuit is also possible, however. In that case the emitter of transistor T16 and current terminal 14 are to be connected to supply terminal 2 and the collector of transistor T16 is to be connected to output terminal 23. For any Miller capacitor over the collector and base of transistor T16 corrections have to be introduced in the same way as shown in Fig. 2.

Fig. 4 shows an electronic circuit according to the invention, which basically corresponds to the circuit of Fig. 2. Compared to the circuit represented in Fig. 2, two extensions are made which may also be made separately. The first extension relates to the first and second current mirror circuits (11, 24), whereas the second extension relates to a differential input stage.

In current mirror circuit 11 the collectors of tran-

sistors T1 and T2 are connected via the emitter-collector junctions of PNP transistors T6 and T7 to current input 12 and current output 13 respectively. The bases of transistors T6 and T7 are connected to the collector of transistor T7 which, in turn, is connected to the current output 13. The collector of transistor T6 is connected to the current input 12. The emitter of transistor T7 is further connected to the emitters of PNP transistors T8 and T9 whose bases are connected to current terminal 14 via a bias voltage source 30. The collector of transistor T8 is connected to the base of transistor T3 which is now not connected to the collector as shown in Fig. 2. The collector of transistor T9 is connected to the input of a current mirror circuit comprising NPN transistors T10, T11 and T12 arranged in a similar manner to the transistors T3, T4 and T5 respectively, in the circuit shown in Fig. 2. The emitters of transistors T10, T11 and T12 are connected to current terminal 18 and their collectors to the collector of transistor T9, current output 16 and current output 17 respectively. The symmetry error, caused by the base currents of transistors T1 and T2 being subtracted from the collector current of transistor T6, is now corrected by adding base currents of the transistors T6 and T7 substantially equal thereto to the collector current of transistor T7. The symmetry error caused by the base currents of the transistors T3, T4 and T5, which currents are derived from the collector current of transistor T2, is corrected by means of the transistors T8, T9, T10, T11 and T12 of which transistors the transistors T11 and T12 preferably have a double emitter surface. Furthermore, the transistors in the sets of transistors T1/T2, T6/T7 and T3/T4/T5 have approximately equal base-collector voltages which reduces errors caused by the Early effect. Over the collector-base junction of transistor T3 a capacitor C_c can be installed for circuit stability.

In combination with, or independent of the extensions to the current mirror circuits 11, 24, the electronic circuit of Fig. 2 can be provided with a differential input stage referenced 32 in Fig. 4. The common junction 20 is now connected via a bias current source 34 to the second supply terminal 4. The circuit further includes NPN transistors T17 and T18 whose emitters are connected to junction 20 and whose bases are connected to a second input terminal 36. The collectors of the transistors T18, T17, T14 and T15 are connected to the collectors of the PNP transistors T19, T20, T21 and T22 respectively, the emitters of which four PNP transistors being connected to the first supply terminal 1 and the bases being connected to the collector of transistor T19. The transistors T19 and T21 convert the differential current from transistors T18 and T14 into a single-sided current. The transistors T17 and T20 are added to improve symmetry. In the differential amplifier 32 are further included the PNP transistors T23, T24 and T25 whose emitters are connected to the supply terminal 1, whose bases are

connected to the collector of transistor T20 and whose collectors are connected to the collectors of transistors T20, T21 and T22 respectively. In this fashion the base currents of transistors T19-T22 are also derived from transistor T23 and mirrored by the transistors T24 and T25 and added to the collector currents of transistors T21 and T22.

Fig. 5 shows an embodiment of an electronic circuit according to the invention resulting from extensions to the circuit shown in Fig. 3 which are similar to those of the circuit shown in Fig. 4. The transistor T16 is now represented in a common-emitter circuit in which the emitter is connected to supply terminal 2 and the base to output terminal 23. For this reason the current terminal 14 of current mirror circuit 11 is also connected to supply terminal 2. In current mirror circuit 24 the collector-base junction of transistor T3 is not short-circuited but bridged by means of the emitter-collector junction of an NPN transistor T13 whose collector is connected to the base of transistor T3 and whose base is connected via a bias voltage source 30 to current terminal 14. Transistor T13 supplies substantially equal base-collector voltages to transistors T3-T5 and T1, T2 and reduces errors caused by the Early effect in these transistors.

Similar to the situation shown in Fig. 4, the input stage 32 has a differential arrangement comprising a current source 34, NPN transistors T18 and T19 and PNP transistors T19-T22 whose bases are not connected to the collector of transistor T19 but to the base of a PNP transistor T26 arranged as a diode and whose emitter is connected to supply terminal 1 and whose collector is connected to supply terminal 2 via a bias current source 38. The input stage 32 further includes NPN transistors T27-T30 whose emitters are connected to supply terminal 2, whose bases are connected to the collector of transistor T19 and whose collectors are connected to the respective collectors of transistors T18, T19, T14 and T15. The collectors of the transistors T18 and T19 are interconnected. The current mirror circuit formed by the transistors T27-T30 fixes the collector voltages of transistors T14, T15, T18 and T19 and reduces errors caused by the Early effect. The circuit represented in Fig. 5 can operate at a supply voltage of about 1 volt.

In the embodiments that have a differential input 32, the first and second current mirror circuits 11 and 14 may advantageously be combined to the current mirror circuits in the differential amplifier. Fig. 6 shows a first embodiment hereof derived from the circuit shown in Fig. 2. Compared to that circuit the following modifications have been introduced. The second current mirror circuit 24 comprises PNP transistors and is connected to the first supply terminal 1 by means of its common current terminal 18. The NPN transistors T14, T15 are replaced by NPN transistors T106 and T107 and the junction 20 is connected to the second supply terminal 2 via a bias current source 34.

Furthermore, NPN transistors T108 and T109 are added, whose bases are connected to a second input terminal 36, whose emitters are connected to junction 20 and whose collectors are connected to the current input 15 and the collector of a PNP transistor T110 respectively, whose base-emitter junction is connected in parallel to that of the transistors T3-T5 of the second current mirror circuit. In addition, the PNP transistors T111, T112 and T113 are added, whose emitters are connected to the first supply terminal 1, their bases to the collector of transistor T109 and their collectors to the respective collectors of transistors T109, T106 and T107. The transistors T109 to T113 enhance the circuit symmetry but may be omitted as desired. PNP transistor T114 replaces the corresponding transistor T16 in Fig. 1. The current mirror circuit formed by the transistors T111-T113 compensates for the base currents of the transistors T3, T4, T5 and T110 flowing to the collector of transistor T108.

Fig. 7 represents an embodiment in which, similar to Fig. 6, the second current mirror circuit 24 is combined to that of the differential amplifier 32. The circuit may be derived from that shown in Fig. 3 with a number of modifications. The NPN transistors T14 and T15 are replaced by MPH transistors T106 and T107 and junction 20 is connected to supply terminal 2 via a bias current source 34. The MPH transistor T16 is replaced by MPH transistor T114. MPH transistor T108, whose emitter is connected to junction 20, whose base is connected to a second input terminal 36 and whose collector is connected to the current input 15 of the second current mirror circuit 24, is added. The common current terminal 14 of the first current mirror circuit 11 is now connected to junction 20. By connecting the output terminal 23 to the second input terminal 36, as indicated by way of a dotted line, a circuit is obtained behaving as a voltage follower from input terminal 19 to output terminal 23.

Fig. 8 shows an electronic circuit according to the invention similar to that shown in Fig. 3 but for the extension by a transistor T16A, whose emitter is connected to output terminal 23, whose collector is connected to supply terminal 2 and whose base is connected to the collector of transistor T14, which transistor T16A is complementary to transistor T16. Other extensions are formed by current mirror circuits 11A and 24A, whose corresponding current inputs and current outputs referenced A are mutually coupled and whose common current terminals 14A and 18A respectively, are connected to the output terminal 23 and the first supply terminal 2, and which are complementary to the first and second current mirror circuits 11 and 24. The collector of transistor T14 is connected to bias current source 21 by means of two series-connected diodes D1 and D3 whose junction is connected to the current outputs 17 and 17A. The base of transistor T16 is connected to the junction of current

source 21 and diode D1, the base of transistor T16A to the junction of diode D3 and the collector of transistor T14. The collector of transistor T15 is connected to bias current source 22 by means of two series-connected diodes D2 and D4. The junction of diodes D2 and D4 is connected to the current outputs 16 and 16A. The current inputs 12 and 12A are connected to the other electrode of diodes D2 and D4 where the current source 22 and the collector of transistor T15 are located. The diodes produce a bias voltage for the series-connected base-emitter junctions of the transistors T1 and T1A in the current mirror circuits 11 and 11A and of the transistors T16 and T16A.

Fig. 9 shows an embodiment of an electronic circuit according to the invention, comprising a differential input stage 32 having input terminals 19 and 19A connected to the respective NPN transistors T14, T15 and the NPN transistors T14A and T15A, the emitters of which four transistors being mutually coupled in a junction 20 which is connected to the second supply terminal 2 via a bias current source 34. The collectors of the transistors T14, T15, T15A and T14A are connected to respective collectors of PNP transistors T210, T211, T212 and T213, whose bases are connected to a reference voltage terminal 220 and whose emitters are connected to supply terminal 1 and these collectors are also connected to the respective emitters of PNP transistors T214, T215, T216 and T217, whose bases are connected to a reference voltage terminal 222. The transistors T14, T15, T15A and T14A, together with the transistors T214, T215, T216 and T217 form four folded cascode connections fed from the transistors T210, T211, T212 and T213 arranged as current sources. The circuit further includes an arrangement comprising eight PNP transistors T218 to T225 coupled in a fashion similar to that of the transistors T210 to T217 of which the emitters of the transistors T218-T221 are connected to the supply terminal 2 and the bases to a reference voltage terminal 226. The bases of the transistors T222, T223, T224 and T225 are connected to a reference voltage terminal 224 whereas the collectors are connected to the collectors of the respective transistors T214, T215, T216 and T217 in the control terminals 5, 4, 4A and 5A respectively.

The transistors T210-T213 may be regarded as two overlapping second current mirror circuits 24 and 24A of the type shown in Fig. 3. The collector connections of these transistors may be regarded as the respective current outputs 16, 17, 17A and 16A of the current mirror circuits 24 and 24A, whereas the collectors of the transistors T211 and T212, as a result of the overlap, likewise correspond to the current inputs 15A and 15 of the current mirror circuits 24A and 24.

The circuit further includes the first current mirror circuits 11 and 11A both comprising NPN transistors whose collector-emitter junctions are connected in

series in pairs. The current inputs 12, 12A of these current mirror circuits are connected to the control terminals 5 and 5A respectively, the current outputs 13, 13A to current input 15 and control terminal 4 respectively, and the common current terminals 14, 14A to the output terminal 23 and supply terminal 2 respectively. The control terminals 4 and 4A are connected to the base of an NPN transistor T230 and an NPN transistor T231 respectively, whose collector-emitter junctions are connected to output terminal 23 and are series connected between the supply terminals 1 and 2.

The Miller capacitors Cm1 and Cm2 may be inserted, as required, between the collector of transistor T231 and the control terminals 4A and 5A, possibly in combination with stabilizing capacitors Cp1 and Cp2 between the control terminals 4 and 5 and the supply terminal 2.

The invention is not restricted to the embodiments shown. By means of combinations of and variations to the circuits shown, different embodiments are likewise possible. Furthermore, the NPN transistors may be replaced by PNP transistors and vice versa. In addition, the invention is not restricted either to embodiments comprising bipolar transistors. All circuits shown may comprise unipolar transistors, for example, in CMOS technology, then substituting the gate, source and drain of the unipolar transistor for the base, emitter and collector of the bipolar transistor.

Claims

1. Electronic circuit comprising a series connection of a load and a first control current source, inserted between first and second supply terminals, for producing a first current, the load and the control current source being connected to a first control terminal, characterized in that the electronic circuit further includes a second control current source for producing a second current that is substantially equal to the first current, a second control terminal connected to the second control current source and to a current follower having a current follower input for receiving a current to be followed and having first and second current follower outputs for delivering currents that are proportional to the current to be followed, the current follower input and the first current follower output being coupled to the second control terminal and the second current follower output being coupled to the first control terminal.
2. Electronic circuit as claimed in Claim 1, characterized in that the current follower comprises first and second current mirror circuits having each a current input for connecting a current to be mir-

rored and a common current terminal for connecting a supply current, the first current mirror circuit having a current output and the second current mirror circuit having first and second current outputs for delivering currents proportional to the current to be mirrored and flowing in the same direction, the current input of the first current mirror circuit being coupled to the current follower input, the current output of the first current mirror circuit being coupled to the current input of the second current mirror circuit and the first and second current outputs of the second current mirror circuit being coupled to the first and second current follower outputs respectively.

3. Electronic circuit as claimed in Claim 2, characterized in that the first current mirror circuit comprises first and second transistors of a same conductivity type, having each a base, an emitter and a collector, whose base-emitter junctions are connected in parallel, their emitters being connected to the common current terminal of the first current mirror circuit and their collectors being coupled to the respective current input and current output of the first current mirror circuit, and in that the second current mirror circuit comprises third, fourth and fifth transistors of a same conductivity type, having each a base, an emitter and a collector, the base-emitter junctions of these third, fourth and fifth transistors being connected in parallel, their emitters being connected to the common current terminal of the second current mirror circuit and their collectors being coupled to the current input, the first current output and the second current output respectively, of the second current mirror circuit.

4. Electronic circuit as claimed in Claim 3, characterized in that the bases of the first and third transistors are connected to the collectors and in that the conductivity type of the third, fourth and fifth transistors is opposite to the conductivity type of the first and second transistors.

5. Electronic circuit as claimed in Claim 3, characterized in that the conductivity type of the third, fourth and fifth transistors is opposite to that of the first and second transistors, and in that the electronic circuit further includes sixth, seventh, eighth and ninth transistors of a conductivity type equal to that of the first and second transistors, and tenth, eleventh and twelfth transistors of a conductivity type equal to that of the third, fourth and fifth transistors, all having a base, emitter and a collector, whereas the collectors of the first and second transistors are connected to the emitters of the sixth and seventh transistors respectively, the bases of the sixth and seventh

transistors are interconnected, the collector of the sixth transistor is connected to the base of the first transistor and to the current input of the first current mirror circuit, the collector of the seventh transistor is connected to the base of the seventh transistor and to the current output of the first current mirror circuit, the emitters of the eighth and ninth transistors are connected to the emitter of the seventh transistor, their bases to a reference voltage source, and the collector of the eighth transistor is coupled to the base of the third transistor and the collector of the ninth transistor is coupled to the collector and the base of the tenth transistor whose base-emitter junction is connected in parallel to the base-emitter junctions of the eleventh and twelfth transistors, the emitters of the tenth, eleventh and twelfth transistors are connected to the common current terminal of the second current mirror circuit, and the collectors of the respective eleventh and twelfth transistors are coupled to the respective first and second current outputs of the second current mirror circuit.

6. Electronic circuit as claimed in Claim 3, characterized in that the electronic circuit further includes a thirteenth transistor of a conductivity type opposite to that of the third transistor and having a base, emitter and collector connected to a reference voltage source, the collector of the third transistor and the base of the third transistor respectively.

7. Electronic circuit as claimed in Claim 1, 2, 3, 4, 5 or 6, characterized in that the first and second control current sources are arranged as fourteenth and fifteenth transistors respectively, of a first conductivity type, having each a base, emitter and a collector, their bases being connected to a first input terminal and the emitters to a common junction, and the collector of the fourteenth and fifteenth transistors being coupled to the first and second control terminals respectively.

8. Electronic circuit as claimed in Claim 1, 2, 3, 4, 5, 6 or 7, characterized in that the electronic circuit further includes a sixteenth transistor having a base, emitter and a collector, whose base is connected to the first control terminal and of which a main current path formed by the emitter and the collector is connected to an output terminal.

9. Electronic circuit as claimed in Claim 8, characterized in that the sixteenth transistor is of a second conductivity type opposite to the first conductivity type, the emitter and the collector of the sixteenth transistor being coupled to the respec-

- tive first supply terminal and the output terminal, in that the first and second transistors are of the second conductivity type and the third, fourth and fifth transistors are of the first conductivity type and in that the common current terminal of the first and second current mirror circuits is connected to the first and second supply terminals respectively.
10. Electronic circuit as claimed in Claim 8, characterized in that the sixteenth transistor is of the first conductivity type, the emitter and the collector of the sixteenth transistor being coupled to the output terminal and the first supply terminal respectively, in that the first and second transistors are of the first conductivity type and the third, fourth and fifth transistors of a second conductivity type opposite to the first conductivity type and in that the common terminals of the first and second current mirror circuits are connected to the output terminal and the first supply terminal respectively.
11. Electronic circuit as claimed in Claim 8, characterized in that the sixteenth transistor is of the first conductivity type, the emitter and the collector of the sixteenth transistor being coupled to the second supply terminal and the output terminal respectively, in that the first and second transistors are of the first conductivity type and the third, fourth and fifth transistors of a second conductivity type opposite to the first conductivity type and in that the common terminals of the first and second current mirror circuits are connected to the second and first supply terminals respectively.
12. Electronic circuit as claimed in Claim 9, 10 or 11, characterized in that the common junction is connected to the second supply terminal.
13. Electronic circuit as claimed in Claim 9, 10 or 11, characterized in that the electronic circuit further includes a first bias current source inserted between the common junction and the second supply terminal, seventeenth and eighteenth transistors of the first conductivity type having each a base, emitter and a collector, whose bases are connected to a second input terminal and their emitters to the common junction; nineteenth, twentieth, twenty-first and twenty-second transistors of the second conductivity type having each a base, emitter and a collector, whose base-emitter junctions are connected in parallel and whose emitters are connected to the first supply terminal and whose collectors are coupled to the collectors of the eighteenth, seventeenth, fourteenth and fifteenth transistors respectively.
14. Electronic circuit as claimed in Claim 13, characterized in that the base of the nineteenth transistor is connected to the collector of the nineteenth transistor and in that the electronic circuit further includes twenty-third, twenty-fourth and twenty-fifth transistors of the second conductivity type, having each a base, emitter and a collector, whose base-emitter junctions are connected in parallel, whose emitters are connected to the first supply terminal and whose bases are coupled to the collector of the seventeenth transistor and whose collectors are coupled to the collectors of the seventeenth, fourteenth and fifteenth transistors respectively.
15. Electronic circuit as claimed in Claim 13, characterized in that the electronic circuit further includes a twenty-sixth transistor of the second conductivity type having a base, emitter and a collector, whose base-emitter junction is connected in parallel to the base-emitter junctions of the nineteenth to twenty-second transistors and whose base and collector are interconnected and coupled to the first supply terminal via a second bias current source, and twenty-seventh to thirtieth transistor of the first conductivity type having each a base, emitter and a collector, whose bases are connected to the collector of the seventeenth transistor, their emitters to the second supply terminal and whose collectors are connected to the collectors of the eighteenth, seventeenth, fourteenth and fifteenth transistors respectively, and the collector of the eighteenth transistor being interconnected to the collector of the seventeenth transistor.
16. Electronic circuit as claimed in Claim 3, characterized in that the first and second control current sources are constituted by sixth and seventh transistors respectively, of a first conductivity type, having each a base, emitter and a collector, the bases being connected to a first input terminal and the emitters to a common junction, which junction is coupled to the second supply terminal via a bias current source, and the collectors of the sixth and seventh transistors being coupled to the first and second control terminals respectively, in that the common terminals of the first and second current mirror circuits are connected to the first supply terminal, in that the first to fifth transistors are of a second conductivity type opposite to the first conductivity type and the base-collector junctions of the first and third transistors are short-circuited, and in that the electronic circuit further includes an eighth transistor of the first conductivity type having a base, emitter and a collector connected to a second input terminal, the common junction and the current input of the

second current mirror circuit respectively.

17. Electronic circuit as claimed in Claim 16, characterized in that the electronic circuit further includes a ninth transistor of the first conductivity type and tenth to twelfth transistors of the second conductivity type, all having a base, emitter and a collector, the base and the emitter of the ninth transistor being connected to the second input terminal and the common junction respectively, and the collector of the ninth transistor being connected to the collector of the tenth transistor, whose base-emitter junction is connected in parallel to that of the third transistor, and is also connected to the bases of the eleventh, twelfth and thirteenth transistors, the emitters of these eleventh to thirteenth transistors being connected to the first supply terminal and their collectors being connected to the collector of the ninth transistor, the second control terminal and the first control terminal respectively.
18. Electronic circuit as claimed in Claim 16 or 17, characterized in that the electronic circuit further includes a fourteenth transistor of the second conductivity type having a base, emitter and a collector, whose base is connected to the first control terminal and whose emitter and collector are coupled to the first supply terminal and an output terminal respectively.
19. Electronic circuit as claimed in Claim 3, characterized in that the first and second control current sources are constituted by sixth and seventh transistors respectively, of a first conductivity type, having each a base, emitter and a collector, the bases being connected to a first input terminal and the emitters to a common junction, which junction is coupled to a second supply terminal via a bias current source, and the collectors of the sixth and seventh transistors being coupled to the first and second control terminals respectively, in that the common terminals of the first and second mirror current circuits are connected to the common junction and the first supply terminal respectively, in that the first and second transistors are of the first conductivity type and the third, fourth and fifth transistors of a second conductivity type opposite to the first conductivity type, and the base-collector junction of the first and third transistors are short-circuited, and in that the electronic circuit further includes eighth and ninth transistors of the first conductivity type having each a base, emitter and a collector, the base, emitter and collector of the eighth transistor being connected to a respective second input terminal, the common junction and the current input of the second current mirror circuit respectively, and

the base of the ninth transistor being connected to the first control terminal, and the emitter and collector of the ninth transistor being connected to an output terminal and the first supply terminal respectively.

20. Electronic circuit as claimed in Claim 10, further including a further transistor complementary to the sixteenth transistor and having a base, emitter and a collector coupled to the first control terminal, the output terminal and the second supply terminal respectively, a first current mirror circuit complementary to the first current mirror circuit and a second current mirror circuit complementary to the second current mirror circuit, corresponding current inputs and current outputs of the current mirror circuits being mutually coupled, the common current terminal of the complementary first current mirror circuit being connected to the output terminal and the common current terminal of the complementary second current mirror circuit being connected to the second supply terminal, and in which the common junction is connected to the second supply terminal.
21. Electronic circuit as claimed in Claim 9, 10 or 11, in which a Miller capacitor is connected over the base and collector of the sixteenth transistor, characterized in that a further Miller capacitor is inserted between the collector of the sixteenth transistor and the second control terminal.
22. Electronic circuit as claimed in Claim 18, in which a Miller capacitor is connected over the base and collector of the fourteenth transistor, characterized in that a further Miller capacitor is inserted between the collectors of the fourteenth transistor and the second control terminal.
23. Electronic circuit as claimed in one of the preceding Claims, characterized in that bipolar transistors having a base, emitter and a collector are replaced by unipolar transistors having a gate, source and a drain respectively.

Patentansprüche

1. Elektronische Schaltung mit einer zwischen einer ersten und einer zweiten Versorgungsklemme eingefügten Reihenschaltung aus einer Last und einer ersten Steuerstromquelle, zur Erzeugung eines ersten Stroms, wobei die Last und die Steuerstromquelle mit einer ersten Steuerklemme verbunden sind, dadurch gekennzeichnet, daß die elektronische Schaltung weiterhin eine zweite Steuerstromquelle zur Erzeugung eines zweiten Stroms, der nahezu gleich dem ersten Strom

- ist, enthält, sowie eine zweite Steuerklemme, die mit der zweiten Steuerstromquelle und mit einem Stromfolger verbunden ist, der einen Stromfolgereingang zum Empfangen eines zu folgenden Stroms und einen ersten und einen zweiten Stromfolgerausgang zur Lieferung von Strömen hat, die dem zu folgenden Strom proportional sind, wobei der Stromfolgereingang und der erste Stromfolgerausgang mit der zweiten Steuerklemme gekoppelt ist und der zweite Stromfolgerausgang mit der ersten Steuerklemme gekoppelt ist.
2. Elektronische Schaltung nach Anspruch 1, dadurch gekennzeichnet, daß der Stromfolger eine erste und eine zweite Stromspiegelschaltung mit jeweils einem Stromeingang zum Anschließen eines zu spiegelnden Stroms und einer gemeinsamen Stromklemme zum Anschließen eines Versorgungsstroms umfaßt, wobei die erste Stromspiegelschaltung einen Stromausgang und die zweite Stromspiegelschaltung einen ersten und einen zweiten Stromausgang hat zum Liefern von Strömen, die proportional zu dem zu spiegelnden Strom sind und in gleicher Richtung fließen, wobei der Stromeingang der ersten Stromspiegelschaltung mit dem Stromfolgereingang gekoppelt ist, der Stromausgang der ersten Stromspiegelschaltung mit dem Stromeingang der zweiten Stromspiegelschaltung gekoppelt ist und der erste und der zweite Stromausgang der zweiten Stromspiegelschaltung mit dem ersten bzw. zweiten Stromfolgerausgang gekoppelt ist.
3. Elektronische Schaltung nach Anspruch 2, dadurch gekennzeichnet, daß die erste Stromspiegelschaltung einen ersten und einen zweiten Transistor eines gleichen Leitungstyps umfaßt, mit jeweils einer Basis, einem Emitter und einem Kollektor, deren Basis-Emitter-Strecken parallel geschaltet sind, deren Emitter mit der gemeinsamen Stromklemme der ersten Stromspiegelschaltung verbunden sind und deren Kollektoren mit dem Stromeingang bzw. Stromausgang der ersten Stromspiegelschaltung gekoppelt sind, und daß die zweite Stromspiegelschaltung einen dritten, vierten und fünften Transistor eines gleichen Leitungstyps umfaßt, mit jeweils einer Basis, einem Emitter und einem Kollektor, wobei die Basis-Emitter-Strecken dieses dritten, vierten und fünften Transistors parallel geschaltet sind, ihre Emitter mit der gemeinsamen Stromklemme der zweiten Stromspiegelschaltung verbunden sind und ihre Kollektoren mit dem Stromeingang, dem ersten Stromausgang bzw. dem zweiten Stromausgang der zweiten Stromspiegelschaltung gekoppelt sind.
4. Elektronische Schaltung nach Anspruch 3, dadurch gekennzeichnet, daß die Basen des ersten und des dritten Transistors mit den Kollektoren verbunden sind und daß der Leitungstyp des dritten, vierten und fünften Transistors dem Leitungstyp des ersten und zweiten Transistors entgegengesetzt ist.
5. Elektronische Schaltung nach Anspruch 3, dadurch gekennzeichnet, daß der Leitungstyp des dritten, vierten und fünften Transistors dem des ersten und zweiten Transistors entgegengesetzt ist, und daß die elektronische Schaltung weiterhin einen sechsten, siebten, achten und neunten Transistor eines Leitungstyps enthält, der dem des ersten und zweiten Transistors gleich ist, und einen zehnten, elften und zwölften Transistor eines Leitungstyps, der dem des dritten, vierten und fünften Transistors gleich ist, wobei alle eine Basis, einen Emitter und einen Kollektor haben, wobei die Kollektoren des ersten und des zweiten Transistors mit den Emittlern des sechsten bzw. siebten Transistors verbunden sind, die Basen des sechsten und des siebten Transistors miteinander verbunden sind, der Kollektor des sechsten Transistors mit der Basis des ersten Transistors und mit dem Stromeingang der ersten Stromspiegelschaltung verbunden ist, der Kollektor des siebten Transistors mit der Basis des siebten Transistors und mit dem Stromausgang der ersten Stromspiegelschaltung verbunden ist, die Emitter des achten und neunten Transistors mit dem Emitter des siebten Transistors verbunden sind, ihre Basen mit einer Bezugsspannungsquelle, und der Kollektor des achten Transistors mit der Basis des dritten Transistors gekoppelt ist und der Kollektor des neunten Transistors mit dem Kollektor und der Basis des zehnten Transistors gekoppelt ist, dessen Basis-Emitter-Strecke parallel zu den Basis-Emitter-Strecken des elften und des zwölften Transistors geschaltet ist, die Emitter des zehnten, elften und zwölften Transistors mit der gemeinsamen Stromklemme der zweiten Stromspiegelschaltung verbunden sind, und die Kollektoren des elften bzw. zwölften Transistors mit dem ersten bzw. zweiten Stromausgang der zweiten Stromspiegelschaltung gekoppelt sind.
6. Elektronische Schaltung nach Anspruch 3, dadurch gekennzeichnet, daß die elektronische Schaltung weiterhin einen dreizehnten Transistor enthält, mit einem Leitungstyp, der dem des dritten Transistors entgegengesetzt ist, und mit einer Basis, einem Emitter und einem Kollektor, die mit einer Bezugsspannungsquelle, dem Kollektor des dritten Transistors bzw. der Basis des dritten Transistors verbunden sind.

7. Elektronische Schaltung nach Anspruch 1, 2, 3, 4, 5 oder 6, dadurch gekennzeichnet, daß die erste und die zweite Steuerstromquelle als vierzehnter bzw. fünfzehnter Transistor eines ersten Leitungstyps angeordnet sind, mit je einer Basis, einem Emitter und einem Kollektor, wobei ihre Basen mit einer ersten Eingangsklemme und die Emitter mit einem gemeinsamen Knotenpunkt verbunden sind, und der Kollektor des vierzehnten bzw. fünfzehnten Transistors mit der ersten bzw. zweiten Steuerklemme gekoppelt ist. 5
8. Elektronische Schaltung nach Anspruch 1, 2, 3, 4, 5, 6 oder 7, dadurch gekennzeichnet, daß die elektronische Schaltung weiterhin einen sechzehnten Transistor mit einer Basis, einem Emitter und einem Kollektor enthält, dessen Basis mit der ersten Steuerklemme verbunden ist und von dem ein vom Emitter und dem Kollektor gebildeter Hauptstrompfad mit einer Ausgangsklemme verbunden ist. 10
9. Elektronische Schaltung nach Anspruch 8, dadurch gekennzeichnet, daß der sechzehnte Transistor von einem dem ersten Leitungstyp entgegengesetzten zweiten Leitungstyp ist, wobei der Emitter und der Kollektor des sechzehnten Transistors mit der ersten Versorgungsklemme bzw. der Ausgangsklemme gekoppelt sind, daß der erste und der zweite Transistor vom zweiten Leitungstyp sind und der dritte, vierte und fünfte Transistor vom ersten Leitungstyp sind und daß die gemeinsame Stromklemme der ersten und der zweiten Stromspiegelschaltung mit der ersten bzw. zweiten Versorgungsklemme verbunden ist. 15
10. Elektronische Schaltung nach Anspruch 8, dadurch gekennzeichnet, daß der sechzehnte Transistor vom ersten Leitungstyp ist, wobei der Emitter und der Kollektor des sechzehnten Transistors mit der Ausgangsklemme bzw. der ersten Versorgungsklemme gekoppelt sind, daß der erste und der zweite Transistor vom ersten Leitungstyp und der dritte, vierte und fünfte Transistor von einem dem ersten Leitungstyp entgegengesetzten zweiten Leitungstyp sind und daß die gemeinsamen Klemmen der ersten und der zweiten Stromspiegelschaltung mit der Ausgangsklemme bzw. der ersten Versorgungsklemme verbunden sind. 20
11. Elektronische Schaltung nach Anspruch 8, dadurch gekennzeichnet, daß der sechzehnte Transistor vom ersten Leitungstyp ist, wobei der Emitter und der Kollektor des sechzehnten Transistors mit der zweiten Versorgungsklemme bzw. der Ausgangsklemme gekoppelt sind, daß der erste und der zweite Transistor vom ersten Leitungstyp sind und der dritte, vierte und fünfte Transistor vom zweiten Leitungstyp sind und daß die gemeinsamen Klemmen der ersten und der zweiten Stromspiegelschaltung mit der zweiten bzw. ersten Versorgungsklemme verbunden sind. 25
12. Elektronische Schaltung nach Anspruch 9, 10 oder 11, dadurch gekennzeichnet, daß der gemeinsame Knotenpunkt mit der zweiten Versorgungsklemme verbunden ist. 30
13. Elektronische Schaltung nach Anspruch 9, 10 oder 11, dadurch gekennzeichnet, daß die elektronische Schaltung weiterhin eine zwischen den gemeinsamen Knotenpunkt und die zweite Versorgungsklemme geschaltete erste Ruhestromquelle enthält, einen siebzehnten und achtzehnten Transistor vom ersten Leitungstyp mit jeweils einer Basis, einem Emitter und einem Kollektor, deren Basen mit einer zweiten Eingangsklemme und deren Emitter mit dem gemeinsamen Knotenpunkt verbunden sind; einen neunzehnten, zwanzigsten, einundzwanzigsten und zweiundzwanzigsten Transistor des zweiten Leitungstyps mit jeweils einer Basis, einem Emitter und einem Kollektor, deren Basis-Emitter-Stecken parallel geschaltet sind und deren Emitter mit der ersten Versorgungsklemme verbunden sind und deren Kollektoren mit den Kollektoren des achtzehnten, siebzehnten, vierzehnten bzw. fünfzehnten Transistors gekoppelt sind. 35
14. Elektronische Schaltung nach Anspruch 13, dadurch gekennzeichnet, daß die Basis des neunzehnten Transistors mit dem Kollektor des neunzehnten Transistors verbunden ist, und daß die elektronische Schaltung weiterhin einen dreiundzwanzigsten, vierundzwanzigsten und fünfundzwanzigsten Transistor vom zweiten Leitungstyp enthält, mit jeweils einer Basis, einem Emitter und einem Kollektor, deren Basis-Emitter-Strecken parallel geschaltet sind, deren Emitter mit der ersten Versorgungsklemme verbunden sind und deren Basen mit dem Kollektor des siebzehnten Transistors gekoppelt sind und deren Kollektoren mit den Kollektoren des siebzehnten, vierzehnten bzw. fünfzehnten Transistors gekoppelt sind. 40
15. Elektronische Schaltung nach Anspruch 13, dadurch gekennzeichnet, daß die elektronische Schaltung weiterhin einen sechsundzwanzigsten Transistor vom zweiten Leitungstyp mit einer Basis, einem Emitter und einem Kollektor enthält, dessen Basis-Emitter-Strecke parallel zu den Basis-Emitter-Strecken des neunzehnten bis 45

zweiundzwanzigsten Transistors geschaltet ist und dessen Basis und Kollektor miteinander verbunden und über eine zweite Ruhestromquelle mit der ersten Versorgungsklemme gekoppelt sind, und einen siebenundzwanzigsten bis drei-

5
10
15

ßigsten Transistor vom ersten Leitungstyp mit jeweils einer Basis, einem Emitter und einem Kollektor, deren Basen mit dem Kollektor des siebzehnten Transistors verbunden sind, deren Emitter mit der zweiten Versorgungsklemme und deren Kollektoren mit den Kollektoren des achtzehnten, siebzehnten, vierzehnten bzw. fünfzehnten Transistors verbunden sind, und wobei der Kollektor des achtzehnten Transistors mit dem Kollektor des siebzehnten Transistor verbunden ist.

16. Elektronische Schaltung nach Anspruch 3, dadurch gekennzeichnet, daß die erste und die zweite Steuerstromquelle von einem sechsten bzw. siebten Transistor von einem ersten Leitungstyp gebildet werden, mit jeweils einer Basis, einem Emitter und einem Kollektor, wobei die Basen mit einer ersten Eingangsklemme und die Emitter mit einem gemeinsamen Knotenpunkt verbunden sind, welcher Knotenpunkt über eine Ruhestromquelle mit der zweiten Versorgungsklemme gekoppelt ist, und die Kollektoren des sechsten und siebten Transistors mit der ersten bzw. zweiten Steuerklemme gekoppelt sind, daß die gemeinsamen Klemmen der ersten und zweiten Stromspiegelschaltung mit der ersten Versorgungsklemme verbunden sind, daß der erste bis

20
25
30
35

fünfte Transistor von einem dem ersten Leitungstyp entgegengesetzten zweiten Leitungstyp sind und die Basis-Kollektor-Strecken des ersten und dritten Transistors kurzgeschlossen sind, und daß die elektronische Schaltung weiterhin einen achten Transistor des ersten Leitungstyps enthält, mit einer Basis, einem Emitter und einem Kollektor, die mit einer zweiten Eingangsklemme, dem gemeinsamen Knotenpunkt bzw. dem Stromeingang der zweiten Stromspiegelschaltung verbunden sind.

17. Elektronische Schaltung nach Anspruch 16, dadurch gekennzeichnet, daß die elektronische Schaltung weiterhin einen neunten Transistor des ersten Leitungstyps und einen zehnten bis

40
45
50
55

zwölften Transistor des zweiten Leitungstyps enthält, alle mit einer Basis, einem Emitter und einem Kollektor, wobei die Basis und der Emitter des neunten Transistors mit der zweiten Eingangsklemme bzw. dem gemeinsamen Knotenpunkt verbunden sind, und der Kollektor des neunten Transistors mit dem Kollektor des zehnten Transistors, dessen Basis-Emitter-Strecke parallel zu der des dritten Transistors geschaltet

ist, und auch mit den Basen des elften, zwölften und dreizehnten Transistors verbunden ist, wobei die Emitter dieses elften bis dreizehnten Transistors mit der ersten Versorgungsklemme verbunden sind und ihre Kollektoren mit dem Kollektor des neunten Transistors, der zweiten Steuerklemme bzw. der ersten Steuerklemme verbunden sind.

18. Elektronische Schaltung nach Anspruch 16 oder 17, dadurch gekennzeichnet, daß die elektronische Schaltung weiterhin einen vierzehnten Transistor des zweiten Leitungstyps mit einer Basis, einem Emitter und einem Kollektor enthält, dessen Basis mit der ersten Steuerklemme verbunden ist und dessen Emitter und Kollektor mit der ersten Versorgungsklemme bzw. einer Ausgangsklemme gekoppelt sind.

19. Elektronische Schaltung nach Anspruch 3, dadurch gekennzeichnet, daß die erste und die zweite Steuerstromquelle von einem sechsten bzw. siebten Transistor eines ersten Leitungstyps gebildet werden, mit jeweils einer Basis, einem Emitter und einem Kollektor, wobei die Basen mit einer ersten Eingangsklemme und die Emitter mit einem gemeinsamen Knotenpunkt verbunden sind, welcher Knotenpunkt über eine Ruhestromquelle mit einer zweiten Versorgungsklemme gekoppelt ist, und wobei die Kollektoren des sechsten und des siebten Transistors mit der ersten bzw. zweiten Steuerklemme gekoppelt sind, daß die gemeinsamen Klemmen der ersten und zweiten Stromspiegelschaltung mit dem gemeinsamen Knotenpunkt bzw. der ersten Versorgungsklemme verbunden sind, daß der erste und zweite Transistor vom ersten Leitungstyp sind und der dritte, vierte und fünfte Transistor von einem dem ersten Leitungstyp entgegengesetzten zweiten Leitungstyp, und die Basis-Kollektor-Strecken des ersten und dritten Transistors kurzgeschlossen sind, und daß die elektronische Schaltung weiterhin einen achten und einen neunten Transistor des ersten Leitungstyps mit jeweils einer Basis, einem Emitter und einem Kollektor enthält, wobei die Basis, der Emitter und der Kollektor des achten Transistors mit einer zweiten Eingangsklemme, dem gemeinsamen Knotenpunkt bzw. dem Stromeingang der zweiten Stromspiegelschaltung verbunden sind, und die Basis des neunten Transistor mit der ersten Steuerklemme verbunden ist, und der Emitter und der Kollektor des neunten Transistors mit einer Ausgangsklemme bzw. der ersten Versorgungsklemme verbunden sind.

20
25
30
35
40
45
50
55

20. Elektronische Schaltung nach Anspruch 10, die weiterhin einen zum sechzehnten Transistor

komplementären, weiteren Transistor enthält mit einer Basis, einem Emitter und einem Kollektor, die mit der ersten Steuerklemme, der Ausgangsklemme bzw. der zweiten Versorgungsklemme gekoppelt sind, eine zu der ersten Stromspiegelschaltung komplementäre erste Stromspiegelschaltung und eine zu der zweiten Stromspiegelschaltung komplementäre zweite Stromspiegelschaltung, wobei entsprechende Stromeingänge und Stromausgänge der Stromspiegelschaltungen miteinander gekoppelt sind, wobei die gemeinsame Stromklemme der komplementären ersten Stromspiegelschaltung mit der Ausgangsklemme verbunden ist und die gemeinsame Stromklemme der komplementären zweiten Stromspiegelschaltung mit der zweiten Versorgungsklemme verbunden ist, und wobei der gemeinsame Knotenpunkt mit der zweiten Versorgungsklemme verbunden ist.

21. Elektronische Schaltung nach Anspruch 9, 10 oder 11, bei der ein Miller-Kondensator über die Basis und den Kollektor des sechzehnten Transistors gelegt ist, dadurch gekennzeichnet, daß ein weiterer Miller-Kondensator zwischen den Kollektor des sechzehnten Transistors und die zweiten Steuerklemme geschaltet ist.
22. Elektronische Schaltung nach Anspruch 18, bei der ein Miller-Kondensator über die Basis und den Kollektor des vierzehnten Transistors gelegt ist, dadurch gekennzeichnet, daß ein weiterer Miller-Kondensator zwischen die Kollektoren des vierzehnten Transistors und die zweite Steuerklemme geschaltet ist.
23. Elektronische Schaltung nach einem der vorhergehenden Ansprüche, dadurch gekennzeichnet, daß Bipolartransistoren mit Basis, Emitter und Kollektor durch Unipolartransistoren mit Gate, Source bzw. Drain ersetzt worden sind.

Revendications

1. Circuit électronique comprenant un montage en série d'une charge et d'une première source de courant de commande, insérées entre les première et deuxième bornes d'alimentation, pour réaliser un premier courant, la charge et la source de courant de commande étant connectées à une première borne de commande, caractérisé en ce que le circuit électronique comprend en outre une deuxième source de courant de commande pour réaliser un deuxième courant qui est pratiquement égal au premier courant, une deuxième borne de commande connectée à la deuxième source de courant de commande et à un suiveur de

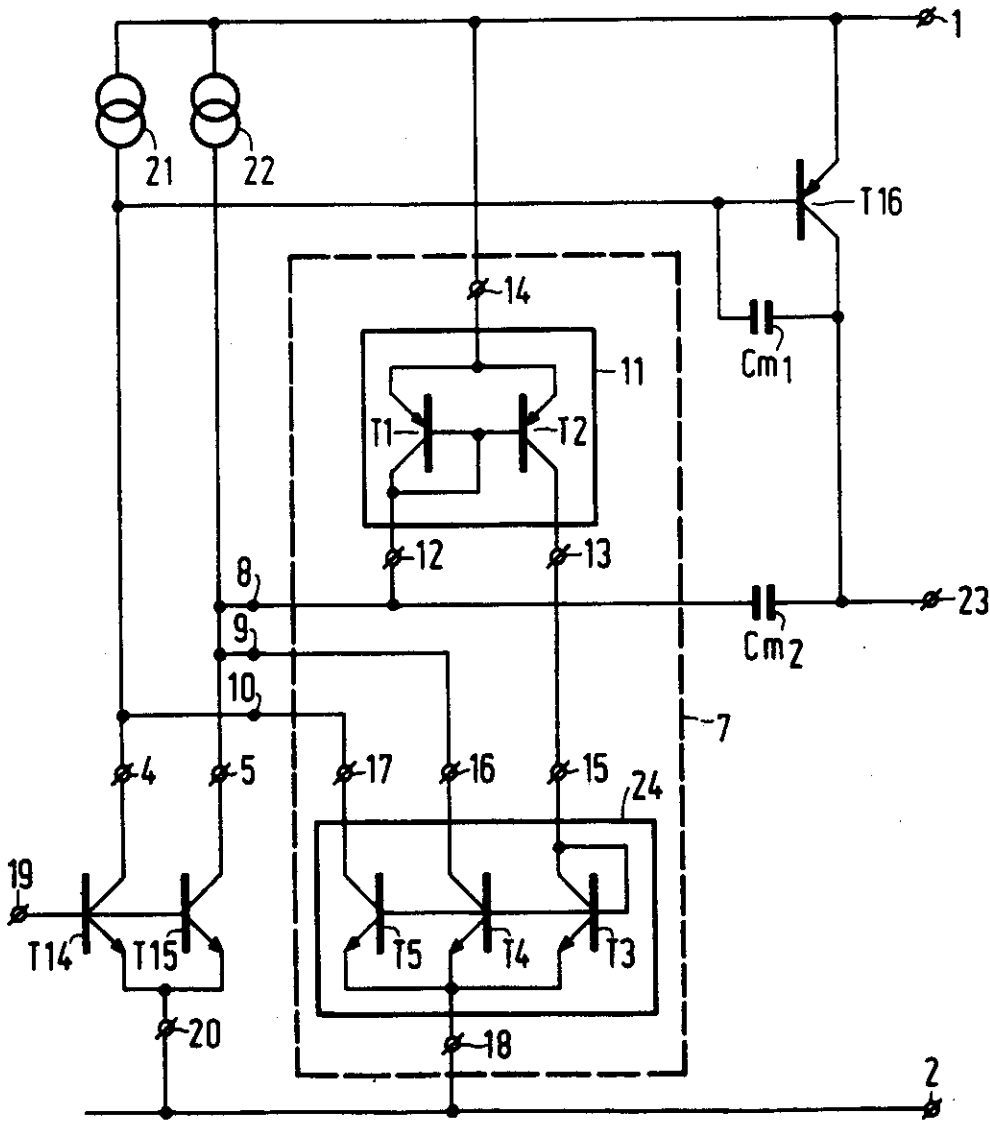
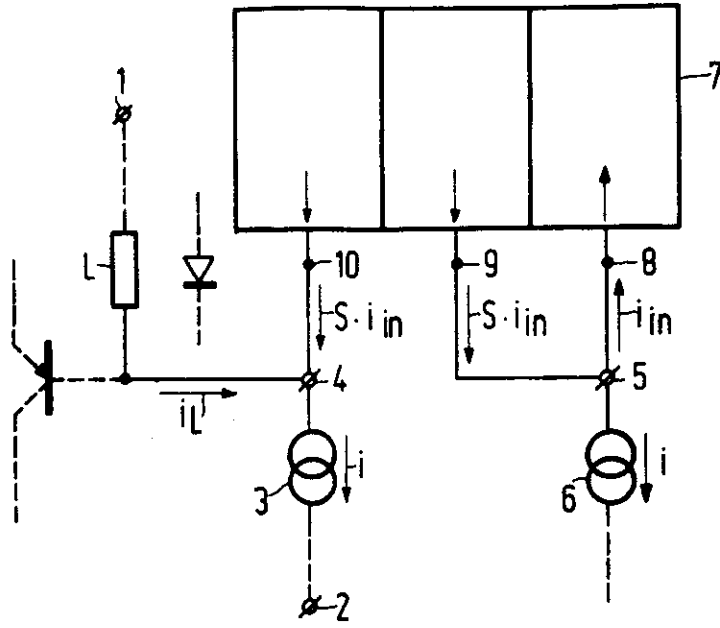
courant muni d'une entrée de suiveur de courant pour la réception d'un courant à suivre et de première et deuxième sorties de suiveur de courant pour délivrer des courants proportionnels au courant à suivre, l'entrée de suiveur de courant et la première sortie de suiveur de courant étant couplées à la deuxième borne de commande et la deuxième sortie de suiveur de courant étant couplée à la première borne de commande.

2. Circuit électronique selon la revendication 1, caractérisé en ce que le suiveur de courant comprend des premier et deuxième circuits de miroir de courant présentant chacun une entrée de courant pour connecter un courant à miroiter et une borne de courant commune pour connecter un courant d'alimentation, le premier circuit de miroir de courant présentant une sortie de courant et le deuxième circuit de miroir de courant présentant des première et deuxième sorties de courant pour délivrer des courants proportionnels au courant à miroiter et circulant dans la même direction, l'entrée du courant du premier circuit de miroir de courant étant couplée, à l'entrée de suiveur de courant, la sortie du courant du premier circuit de miroir de courant étant couplée à l'entrée de courant du deuxième circuit de miroir de courant et les première et deuxième sorties de courant du deuxième circuit de miroir de courant étant couplées respectivement aux première et deuxième sorties de suiveur de courant.
3. Circuit électronique selon la revendication 2, caractérisé en ce que le premier circuit de miroir de courant comprend des premier et deuxième transistors d'un même type de conductivité, présentant chacun une base, un émetteur et un collecteur, dont les jonctions base-émetteur sont montées en parallèle, leurs émetteurs étant connectés à la borne de courant commune du premier circuit de miroir de courant et leurs collecteurs étant couplés respectivement à l'entrée de courant et à la sortie de courant du premier circuit de miroir de courant, et en ce que le deuxième circuit de miroir de courant comprend des troisième, quatrième et cinquième transistors d'un même type de conductivité, présentant chacun une base, un émetteur et un collecteur, les jonctions base-émetteur de ces troisième, quatrième et cinquième transistors étant montées en parallèle, leurs émetteurs étant connectés à la borne de courant commune du deuxième circuit de miroir de courant et leurs collecteurs étant couplés respectivement à l'entrée de courant, la première sortie de courant et la deuxième sortie de courant du deuxième circuit de miroir de courant.
4. Circuit électronique selon la revendication 3, ca-

- ractérisé en ce que les bases des premier et troisième transistors sont connectées aux collecteurs et en ce que le type de conductivité des troisième, quatrième et cinquième transistors est opposé au type de conductivité des premier et deuxième transistors.
5. Circuit électronique selon la revendication 3, caractérisé en ce que le type de conductivité des troisième, quatrième et cinquième transistors est opposé à celui des premier et deuxième transistors, et en ce que le circuit électronique comprend en outre des sixième, septième, huitième et neuvième transistors d'un type de conductivité égal à celui des premier et deuxième transistors, et des dixième, onzième et douzième transistors d'un type de conductivité égal à celui des troisième, quatrième et cinquième transistors présentant tous une base, un émetteur et un collecteur, les collecteurs des premier et deuxième transistors sont connectés aux émetteurs respectivement des sixième et septième transistors, les bases des sixième et septième transistors sont interconnectées, le collecteur du sixième transistor est connecté à la base du premier transistor et à l'entrée de courant du premier circuit de miroir de courant, le collecteur du septième transistor est connecté à la base du septième transistor et à la sortie de courant du premier circuit de miroir de courant, les émetteurs des huitième et neuvième transistors sont connectés à l'émetteur du septième transistor, leurs bases à une source de tension de référence, et le collecteur du huitième transistor est couplé à la base du troisième transistor et le collecteur du neuvième transistor est couplé au collecteur et la base du dixième transistor dont la jonction base-émetteur est montée en parallèle aux jonctions base-émetteur des onzième et douzième transistors, les émetteurs des dixième, onzième et douzième transistors sont connectés à la borne de courant commune du deuxième circuit de miroir de courant et les collecteurs des onzième et douzième transistors sont couplés respectivement aux première et deuxième sorties de courant du deuxième circuit de miroir de courant.
6. Circuit électronique selon la revendication 3, caractérisé en ce que le circuit électronique comprend en outre un treizième transistor d'un type de conductivité opposé à celui du troisième transistor et présentant une base, un émetteur et un collecteur connectés respectivement à une source de tension de référence, au collecteur du troisième transistor et à la base du troisième transistor.
7. Circuit électronique selon la revendication 1, 2, 3, 4, 5 ou 6, caractérisé en ce que les première et deuxième sources de courant de commande sont constituées respectivement comme quatorzième et quinzième transistors d'un premier type de conductivité, présentant chacun une base, un émetteur et un collecteur, leurs bases étant connectées à une première borne d'entrée et les émetteurs à une jonction commune, et le collecteur des quatorzième et quinzième transistors étant couplé respectivement aux première et deuxième bornes de commande.
8. Circuit électronique selon la revendication 1, 2, 3, 4, 5, 6 ou 7, caractérisé en ce que le circuit électronique comprend en outre un seizième transistor présentant une base, un émetteur et un collecteur, dont la base est connectée à la première borne de commande et dont un trajet de courant principal formé par l'émetteur et le collecteur est connecté à une borne de sortie.
9. Circuit électronique selon la revendication 8, caractérisé en ce que le seizième transistor est d'un deuxième type de conductivité opposé au premier type de conductivité, l'émetteur et le collecteur du seizième transistor étant couplés à la première borne d'alimentation respective et à la borne de sortie, en ce que les premier et deuxième transistors sont d'un deuxième type de conductivité et les troisième, quatrième et cinquième transistors sont d'un premier type de conductivité et en ce que la borne de courant commune des premier et deuxième circuits de miroir de courant est connectée respectivement aux première et deuxième bornes d'alimentation.
10. Circuit électronique selon la revendication 8, caractérisé en ce que le seizième transistor est du premier type de conductivité, l'émetteur et le collecteur du seizième transistor étant couplés respectivement à la borne de sortie et la première borne d'alimentation, en ce que les premier et deuxième transistors sont du premier type de conductivité et les troisième, quatrième et cinquième transistors d'un deuxième type de conductivité opposé au premier type de conductivité et en ce que les bornes communes des premier et deuxième circuits de miroir de courant sont connectés respectivement à la borne de sortie et la première borne d'alimentation.
11. Circuit électronique selon la revendication 8, caractérisé en ce que le seizième transistor est du premier type de conductivité, l'émetteur et le collecteur du seizième transistor étant couplés respectivement à la deuxième borne d'alimentation et la borne de sortie, en ce que les premier et deuxième transistors sont du premier type de

- conductivité et les troisième, quatrième et cinquième transistors d'un deuxième type de conductivité opposé au premier type de conductivité et en ce que les bornes communes des premier et deuxième circuits de miroir de courant sont connectées respectivement aux deuxième et première bornes d'alimentation. 5
12. Circuit électronique selon la revendication 9, 10 ou 11 caractérisé en ce que la jonction commune est connectée à la deuxième borne d'alimentation. 10
13. Circuit électronique selon la revendication 9, 10 ou 11 caractérisé en ce que le circuit électronique comprend en outre une première source de courant de polarisation insérée entre la jonction commune et la deuxième borne d'alimentation, des dix-septième et dix-huitième transistors du premier type de conductivité présentant chacun une base, un émetteur et un collecteur, dont les bases sont connectées à une deuxième borne d'entrée et leurs émetteurs à la jonction commune, des dix-neuvième, vingtième, vingt et unième et vingt-deuxième transistors du deuxième type de conductivité présentant chacun une base, un émetteur et un collecteur, dont les jonctions base-émetteur sont montées en parallèle et dont les émetteurs sont connectés à la première borne d'alimentation et dont les collecteurs sont couplés aux collecteurs respectivement des dix-huitième, dix-septième, quatorzième et quinzième transistors. 15
20
25
30
14. Circuit électronique selon la revendication 13, caractérisé en ce que la base du dix-neuvième transistor est connectée au collecteur du dix-neuvième transistor et en ce que le circuit électronique comprend en outre des vingt-troisième, vingt-quatrième et vingt-cinquième transistors du deuxième type de conductivité, présentant chacun une base, un émetteur et un collecteur dont les jonctions base-émetteur sont montées en parallèle, dont les émetteurs sont connectés à la première borne d'alimentation et dont les bases sont couplées au collecteur du dix-septième transistor et dont les collecteurs sont couplés aux collecteurs respectivement des dix-septième, quatorzième et quinzième transistors. 35
40
15. Circuit électronique selon la revendication 13, caractérisé en ce que le circuit électronique comprend en outre un vingt-sixième transistor du deuxième type de conductivité présentant une base, un émetteur et un collecteur, dont la jonction base-émetteur est montée en parallèle aux jonctions base-émetteur des dix-neuvième à vingt-deuxième transistors et dont la base et le 45
50
- collecteur sont interconnectés et couplés à la première borne d'alimentation par l'intermédiaire d'une deuxième source de courant de polarisation, et des vingt-septième à trentième transistors du premier type de conductivité présentant chacun une base, un émetteur et un collecteur, dont les bases sont connectées au collecteur du dix-septième transistor, leurs émetteurs à la deuxième borne d'alimentation et dont les collecteurs sont connectés aux collecteurs respectivement des dix-huitième, dix-septième, quatorzième et quinzième transistors et les collecteurs du dix-huitième transistor étant interconnectés au collecteur du dix-septième transistor. 55
16. Circuit électronique selon la revendication 3, caractérisé en ce que les premier et deuxième sources de courant de commande sont constituées par respectivement des sixième et septième transistors, d'un premier type de conductivité, présentant chacun une base, un émetteur et un collecteur, les bases étant connectées à une première borne d'entrée et les émetteurs à une jonction commune, laquelle jonction est couplée à la deuxième borne d'alimentation par l'intermédiaire d'une source de courant de polarisation et les collecteurs des sixième et septième transistors étant couplés respectivement au première et deuxième bornes de commande, en ce que les bornes communes des premier et deuxième circuits de miroir de courant sont connectées à la première borne d'alimentation, en ce que les premier à cinquième transistors sont d'un deuxième type de conductivité opposé au premier type de conductivité et les jonctions base-collecteur des premier et troisième transistors sont court-circuitées, et en ce que le circuit électronique comprend davantage un huitième transistor du premier type de conductivité présentant une base, un émetteur et un collecteur connectés respectivement à une deuxième borne d'entrée, à la jonction commune et à l'entrée du courant du deuxième circuit de miroir de courant. 60
65
17. Circuit électronique selon la revendication 16, caractérisé en ce que le circuit électronique comprend en outre un neuvième transistor du premier type de conductivité et des dixième à douzième transistors du deuxième type de conductivité, présentant tous une base, un émetteur et un collecteur, la base et l'émetteur du neuvième transistor étant connectés respectivement à la deuxième borne d'entrée et à la jonction commune, et le collecteur du neuvième transistor étant connecté au collecteur du dixième transistor, dont la jonction base-émetteur est montée en parallèle à celle du troisième transistor et est également connectée aux bases des onzième, 17

- douzième et treizième transistors, les émetteurs de ces onzième à treizième transistors étant connectés à la première borne d'alimentation et leurs collecteurs étant connectés respectivement au collecteur du neuvième transistor, à la deuxième borne de commande et à la première borne de commande.
18. Circuit électronique selon la revendication 16 ou 17, caractérisé en ce que le circuit électronique comprend en outre un quatorzième transistor du deuxième type de conductivité présentant une base, un émetteur et un collecteur, dont la base est connectée à la première borne de commande et dont l'émetteur et le collecteur sont couplés respectivement à la première borne d'alimentation et à une borne de sortie.
19. Circuit électronique selon la revendication 3, caractérisé en ce que les première et deuxième sources de courant de commande sont constituées par respectivement des sixième et septième transistors, d'un premier type de conductivité, présentant chacun une base, un émetteur et un collecteur, les bases étant connectées à une première borne d'entrée et les émetteurs à une jonction commune, laquelle jonction est couplée à une deuxième borne d'alimentation par l'intermédiaire d'une source de courant de polarisation et les collecteurs des sixième et septième transistors étant couplés respectivement aux première et deuxième bornes de commande, en ce que les bornes communes des premier et deuxième circuits de courant de miroir sont connectés respectivement à la jonction commune et à la première borne d'alimentation, en ce que les premier et deuxième transistors sont du premier type de conductivité et les troisième, quatrième et cinquième transistors d'un deuxième type de conductivité opposé au premier type de conductivité, et les jonctions base-collecteur des premier et troisième transistors sont court-circuitées, et en ce que le circuit électronique comprend en outre des huitième et neuvième transistors du premier type de conductivité présentant chacun une base, un émetteur et un collecteur, la base, l'émetteur et le collecteur du huitième transistor étant connectés à respectivement une deuxième borne d'entrée, la jonction commune et l'entrée de courant du deuxième circuit de miroir de courant, et la base du neuvième transistor étant connectée à la première borne de commande et l'émetteur et le collecteur du neuvième transistor étant connectés à respectivement une borne de sortie et à la première borne d'alimentation.
20. Circuit électronique selon la revendication 10, comprenant en outre un autre transistor complémentaire au seizième transistor et présentant une base, un émetteur et un collecteur couplés respectivement à la première borne de commande, à la borne de sortie et à la deuxième borne d'alimentation, un premier circuit de miroir de courant complémentaire au premier circuit de miroir de courant et un deuxième circuit de miroir de courant complémentaire au deuxième circuit de miroir de courant, des entrées de courant correspondantes et des sorties de courant correspondantes des circuits de miroir de courant étant mutuellement couplées, la borne de courant commune du premier circuit de miroir de courant complémentaire étant connectée à la borne de sortie et la borne de courant commune du deuxième circuit de miroir de courant complémentaire étant connectée à la deuxième borne d'alimentation, et en ce que la jonction commune est connectée à la deuxième borne d'alimentation.
21. Circuit électronique selon la revendication 9, 10 et 11, dans lequel un condensateur Miller est connecté aux bornes de la base et du collecteur du seizième transistor, caractérisé en ce qu'un autre condensateur Miller est inséré entre le collecteur du seizième transistor et la deuxième borne de commande.
22. Circuit électronique selon la revendication 18, dans lequel un condensateur Miller est connecté aux bornes de la base et du collecteur du quatorzième transistor, caractérisé en ce qu'un autre condensateur Miller est inséré entre les collecteurs du quatorzième transistor et la deuxième borne de commande.
23. Circuit électronique selon l'une des revendications précédentes, caractérisé en ce que des bipolaires présentant une base, un émetteur et un collecteur sont remplacés par des transistors unipolaires présentant respectivement une porte, une source et un drain.



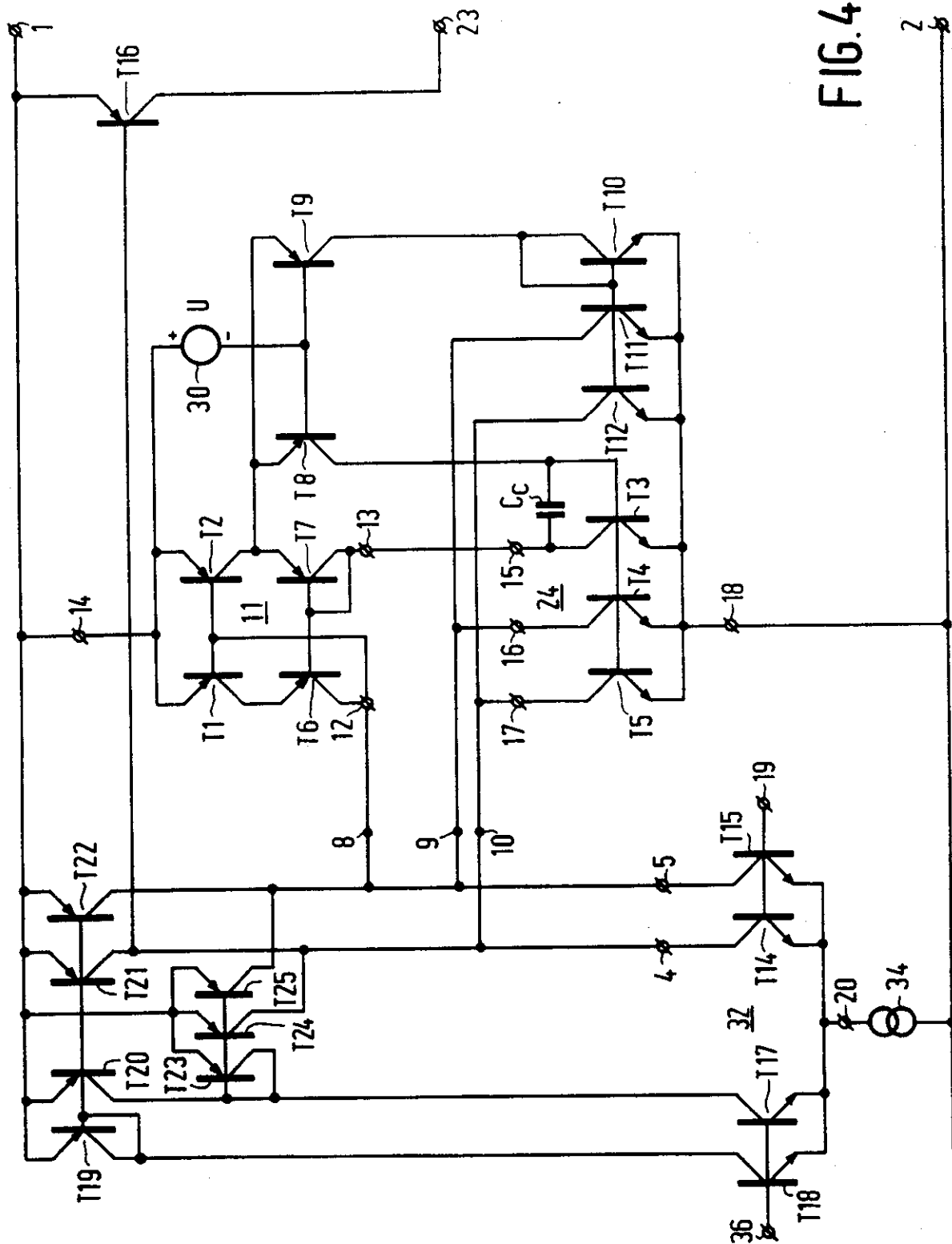


FIG. 4

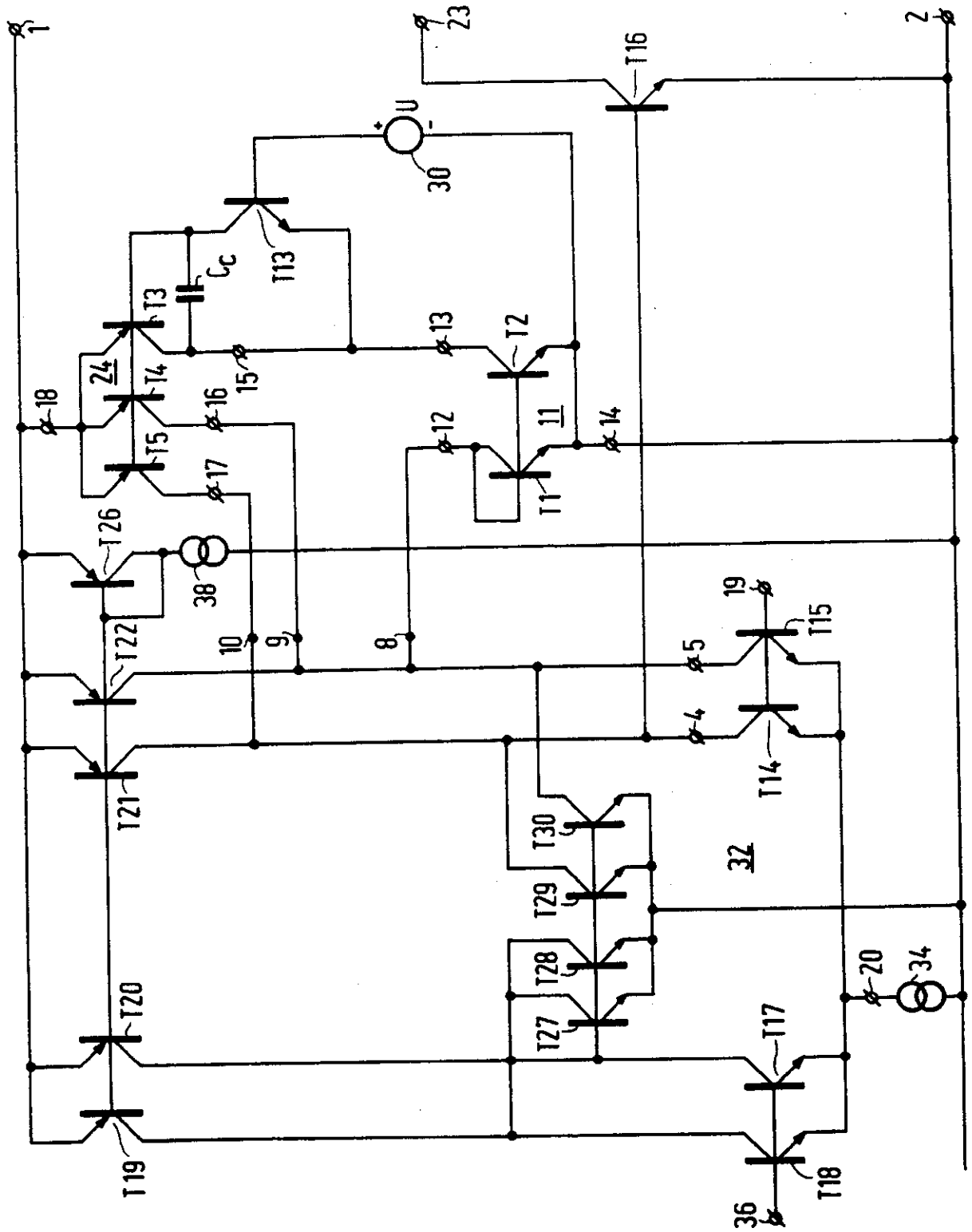


FIG.5

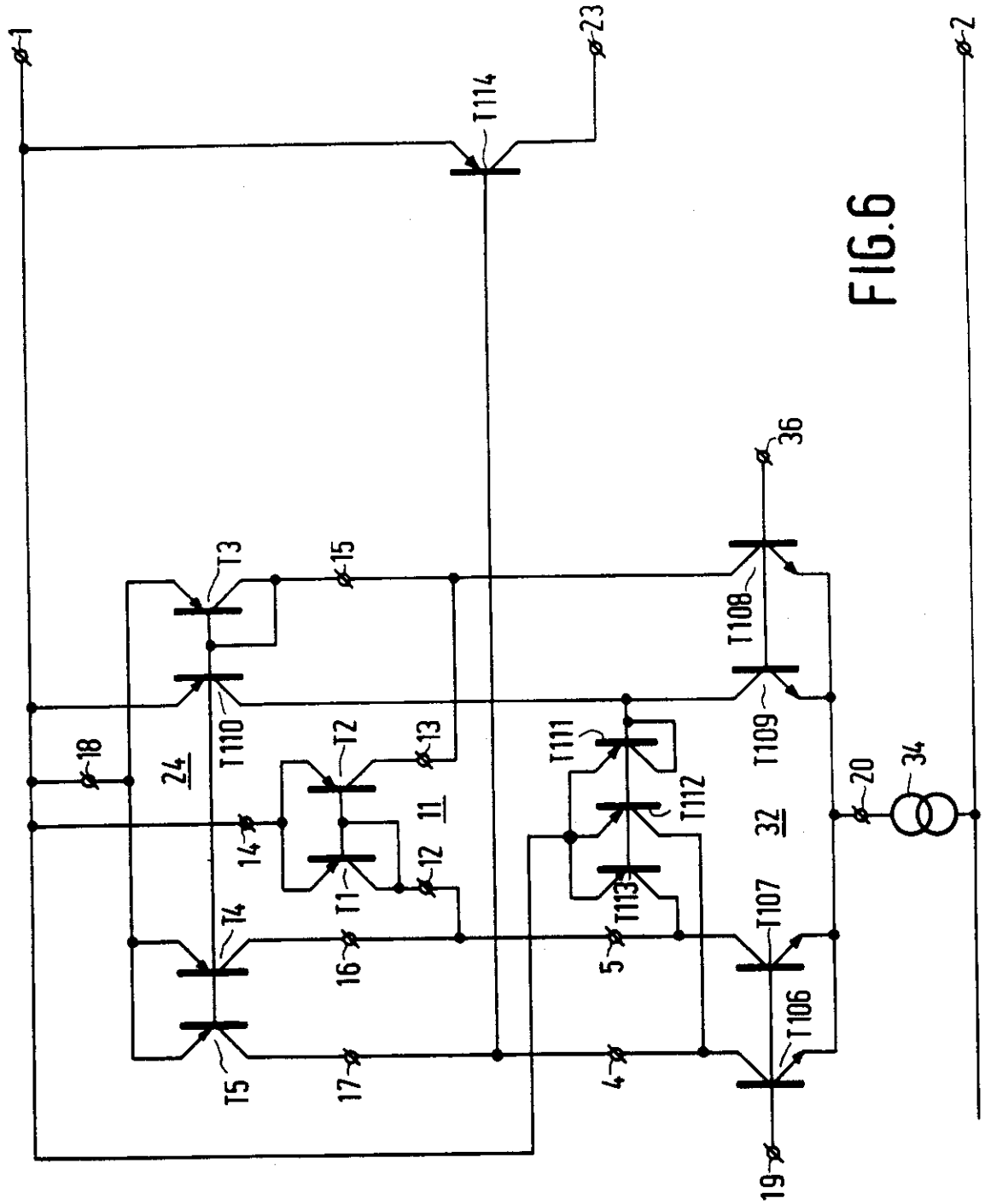


FIG.6

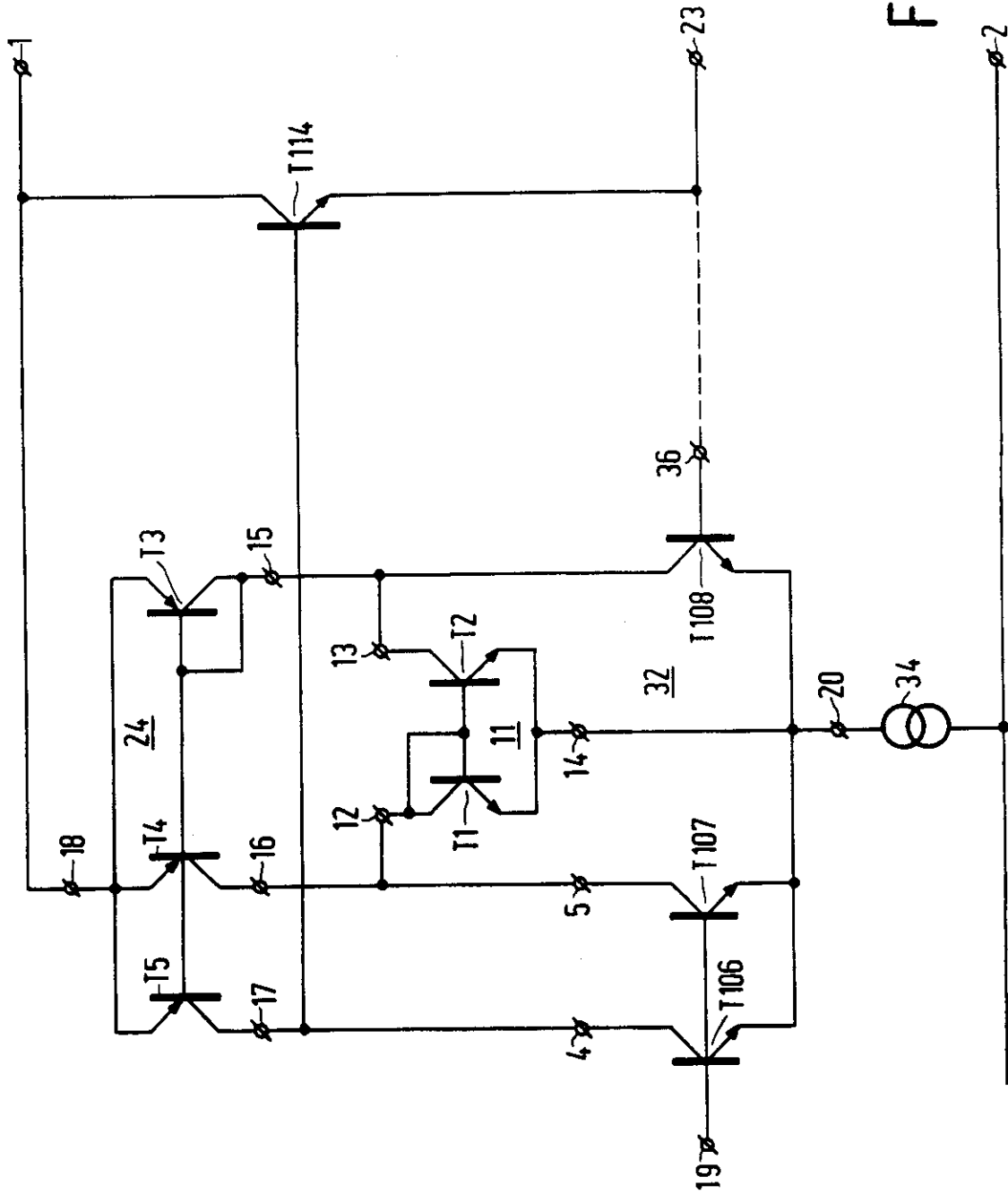


FIG.7

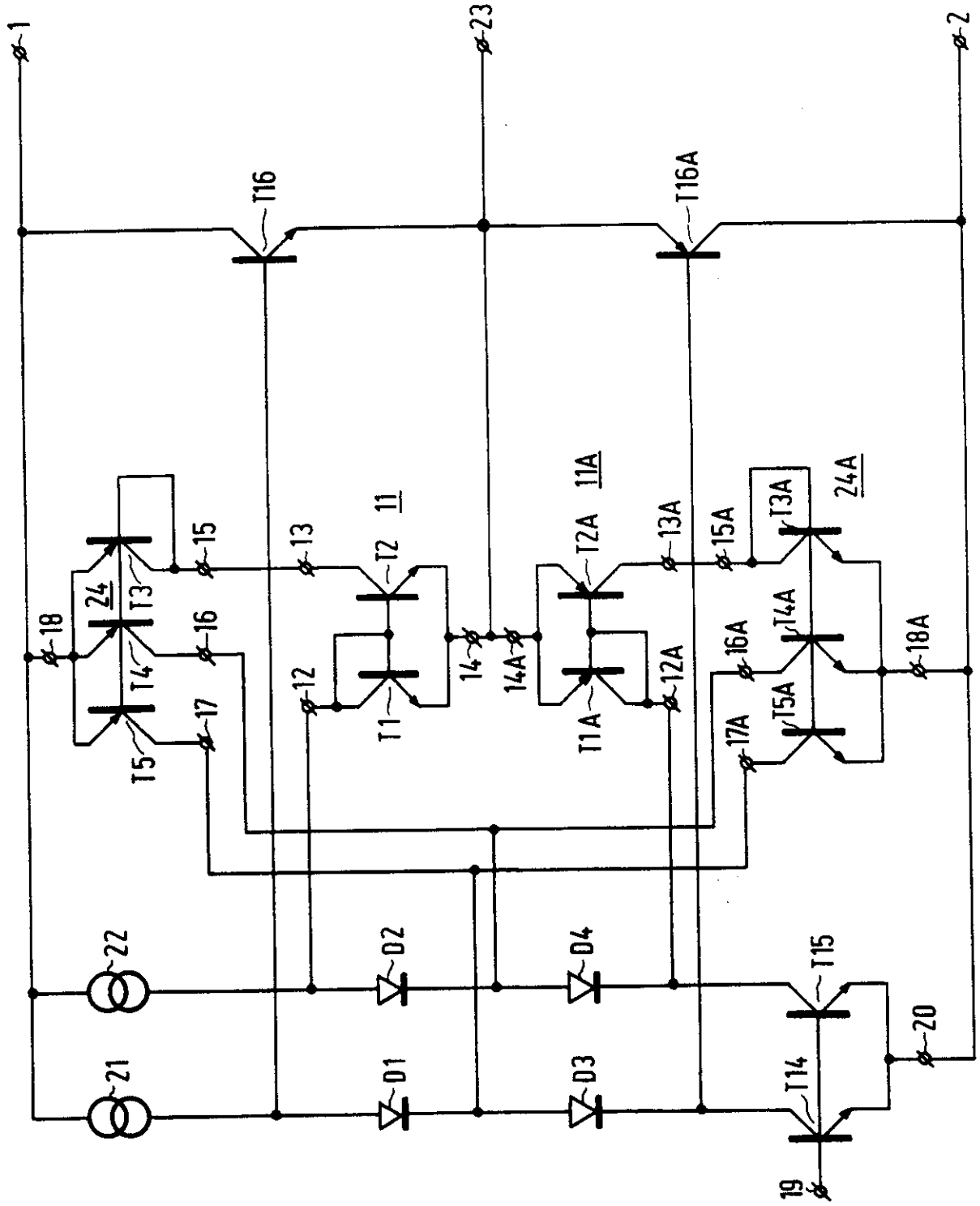


FIG.8

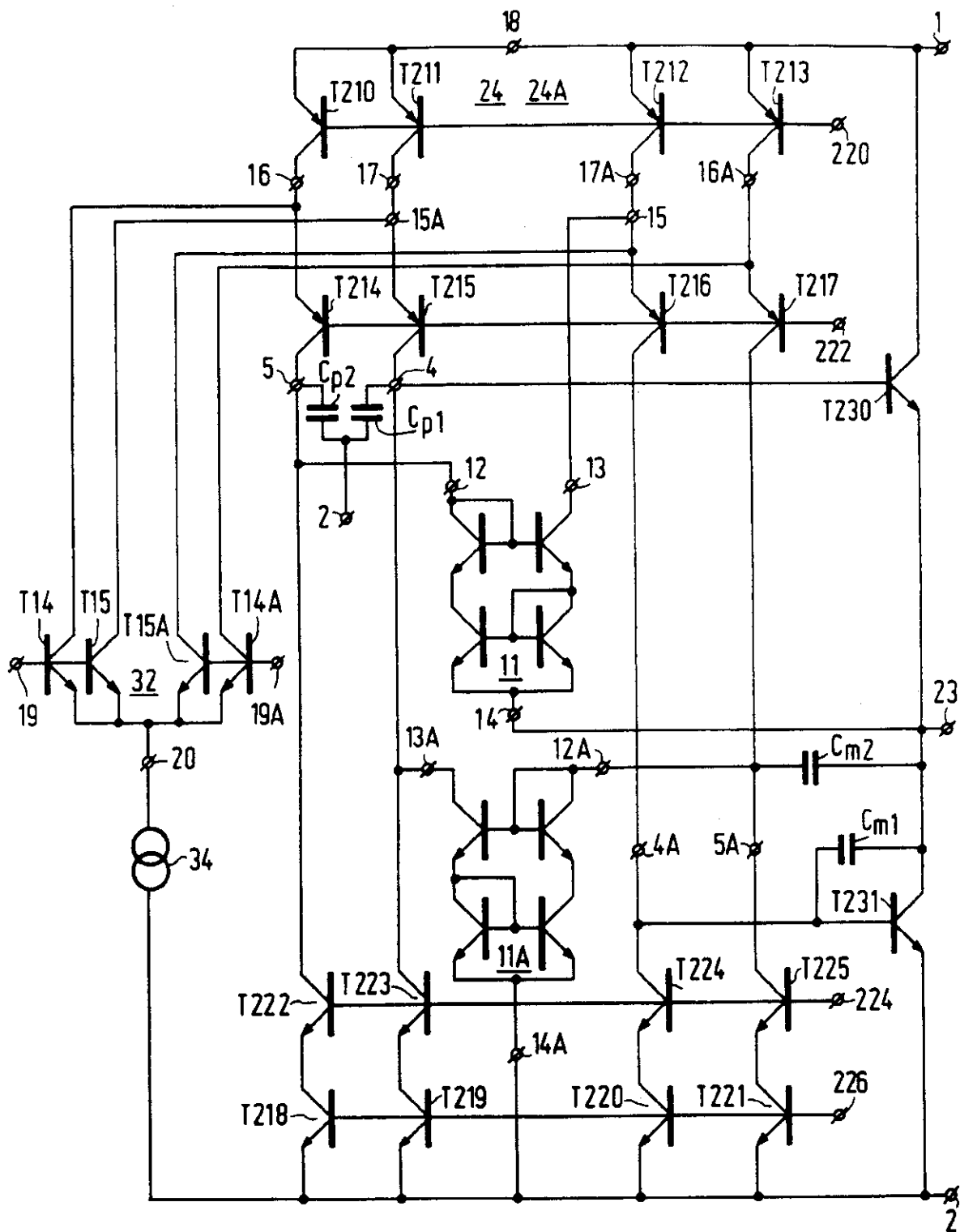


FIG.9

REGISTER ENTRY FOR EP0442573

European Application No EP91200281.3 filing date 11.02.1991

Application in Dutch

Priority claimed:

14.02.1990 in Netherlands - doc: 9000351

Designated States DE FR GB IT NL

Title CURRENT COMPENSATION CIRCUIT.

Applicant/Proprietor

N.V. PHILIPS' GLOEILAMPENFABRIEKEN, Groenewoudseweg 1, NL-5621 BA
Eindhoven, Netherlands [ADP No. 50311273001]

Inventors

JOHAN HENDRIK HUIJSING, c/o INT. OCTROOIBUREAU B.V., Prof. Holstlaan 6,
NL-5656 AA Eindhoven, Netherlands [ADP No. 58853508001]

MAARTEN JEROEN FONDERIE, c/o INT. OCTROOIBUREAU B.V., Prof. Holstlaan 6,
NL-5656 AA Eindhoven, Netherlands [ADP No. 58853516001]

Classified to
H03F

Address for Service

R J BOXALL, PHILIPS ELECTRONICS, Patents and Trade Marks Department, Cross
Oak Lane, REDHILL, Surrey, RH1 5HA, United Kingdom [ADP No. 00974790007]

EPO Representative

LOUIS MARIE HUBERTUS FAESSEN, INTERNATIONAAL OCTROOIBUREAU B.V. 6 Prof.
Holstlaan, NL-5656 AA Eindhoven, Netherlands [ADP No. 50681154001]

Publication No EP0442573 dated 21.08.1991

Publication in English

Examination requested 21.02.1992

Patent Granted with effect from 31.05.1995 (Section 25(1)) with title CURRENT
COMPENSATION CIRCUIT.

28.04.1995 Notification from EPO of change of EPO Representative details from
LOUIS MARIE HUBERTUS FAESSEN, INTERNATIONAAL OCTROOIBUREAU B.V. 6
Prof. Holstlaan, NL-5656 AA Eindhoven, Netherlands
[ADP No. 50681154001]

to

LOUIS MARIE HUBERTUS FAESSEN, INTERNATIONAAL OCTROOIBUREAU B.V.
Prof. Holstlaan 6, NL-5656 AA Eindhoven, Netherlands
[ADP No. 50681154001]

Entry Type 25.14 Staff ID. RD06 Auth ID. EPT

13.10.1995 Change of Applicant/Proprietor details to:-

PHILIPS ELECTRONICS N.V., Groenewoudseweg 1, NL-5621 BA Eindhoven,
Netherlands [ADP No. 06828487001]

notified to the EPO prior to grant. Evidence filed on EP0554582

Entry Type 10.1 Staff ID. DG1 Auth ID. AO

REGISTER ENTRY FOR EP0442573 (Cont.)

TIMED: 08/02/96 09:46:25

PAGE: 2

**** END OF REGISTER ENTRY ****

OA80-01
EP

OPTICS - PATENTS

08/02/96 09:52:12
PAGE: 1

RENEWAL DETAILS

PUBLICATION NUMBER EP0442573

PROPRIETOR(S)

Philips Electronics N.V. Incorporated in the Netherlands,
Groenewoudseweg 1, NL-5621 BA Eindhoven, Netherlands

DATE FILED 11.02.1991

DATE GRANTED 31.05.1995

DATE NEXT RENEWAL DUE 11.02.1997

DATE NOT IN FORCE

DATE OF LAST RENEWAL 31.01.1996

YEAR OF LAST RENEWAL 06

STATUS PATENT IN FORCE

**** END OF REPORT ****