



- (51) International Patent Classification:
F24F 6/04 (2006.01) F24F 13/20 (2006.01)
- (21) International Application Number:
PCT/GB2019/053577
- (22) International Filing Date:
17 December 2019 (17.12.2019)
- (25) Filing Language: English
- (26) Publication Language: English
- (30) Priority Data:
1900017.3 02 January 2019 (02.01.2019) GB
1913170.5 12 September 2019 (12.09.2019) GB
- (71) Applicant: **DYSON TECHNOLOGY LIMITED**
[GB/GB]; Tetbury Hill, Malmesbury Wiltshire SN16 0RP (GB).
- (72) Inventors: **MORRISON, Alexander**; c/o Dyson Technology Limited, Tetbury Hill, Malmesbury Wiltshire SN16

0RP (GB). **RAILTON, Samuel**; c/o Dyson Technology Limited, Tetbury Hill, Malmesbury Wiltshire SN16 0RP (GB). **PEET, Steven**; c/o Dyson Technology Limited, Tetbury Hill, Malmesbury Wiltshire SN16 0RP (GB). **LOWSON, Ben**; c/o Dyson Technology Limited, Tetbury Hill, Malmesbury Wiltshire SN16 0RP (GB).

(74) Agent: **CHAPMAN, Alan** et al.; Intellectual Property Department, Dyson Technology Limited, Tetbury Hill, Malmesbury Wiltshire SN16 0RP (GB).

(81) Designated States (unless otherwise indicated, for every kind of national protection available): AE, AG, AL, AM, AO, AT, AU, AZ, BA, BB, BG, BH, BN, BR, BW, BY, BZ, CA, CH, CL, CN, CO, CR, CU, CZ, DE, DJ, DK, DM, DO, DZ, EC, EE, EG, ES, FI, GB, GD, GE, GH, GM, GT, HN, HR, HU, ID, IL, IN, IR, IS, JO, JP, KE, KG, KH, KN, KP, KR, KW, KZ, LA, LC, LK, LR, LS, LU, LY, MA, MD, ME, MG, MK, MN, MW, MX, MY, MZ, NA, NG, NI, NO, NZ, OM, PA, PE, PG, PH, PL, PT, QA, RO, RS, RU, RW, SA,

(54) Title: AIR TREATMENT APPARATUS

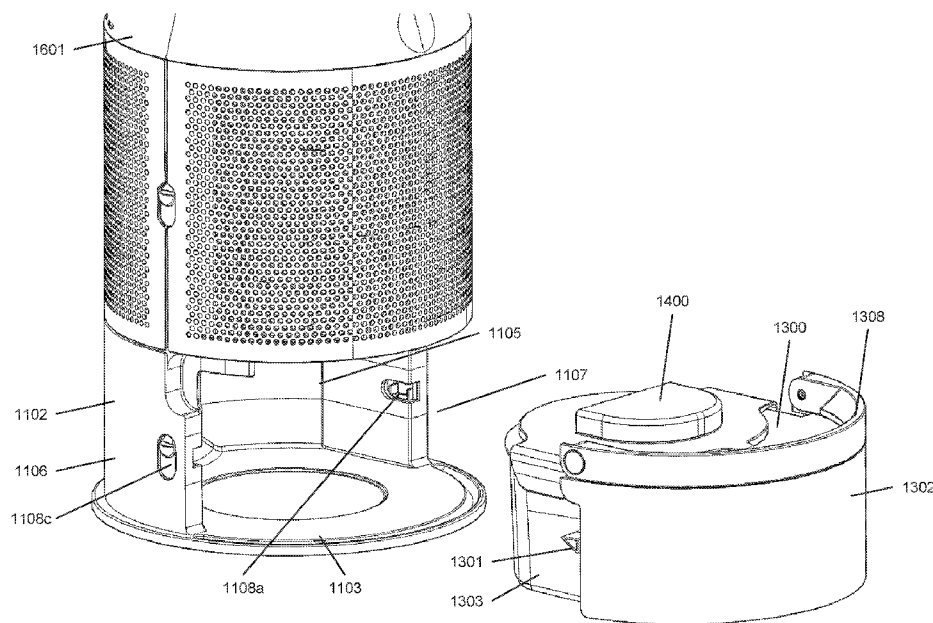


Figure 6

(57) Abstract: There is provided an air treatment apparatus comprising an air flow generator that is arranged to generate an air flow through the air treatment apparatus, a moisture source that is arranged to introduce water vapour into the air flow, a body housing both the air flow generator and the moisture source, and a water supply system that is arranged to provide water to the moisture source. The water supply system comprises a water tank assembly that has a detachable connection to the body and the body comprises a cavity within which the water tank assembly is disposed and a side opening into the cavity through which the water tank assembly can be inserted into and drawn out of the cavity.



SC, SD, SE, SG, SK, SL, SM, ST, SV, SY, TH, TJ, TM, TN,
TR, TT, TZ, UA, UG, US, UZ, VC, VN, ZA, ZM, ZW.

- (84) Designated States** (*unless otherwise indicated, for every kind of regional protection available*): ARIPO (BW, GH, GM, KE, LR, LS, MW, MZ, NA, RW, SD, SL, ST, SZ, TZ, UG, ZM, ZW), Eurasian (AM, AZ, BY, KG, KZ, RU, TJ, TM), European (AL, AT, BE, BG, CH, CY, CZ, DE, DK, EE, ES, FI, FR, GB, GR, HR, HU, IE, IS, IT, LT, LU, LV, MC, MK, MT, NL, NO, PL, PT, RO, RS, SE, SI, SK, SM, TR), OAPI (BF, BJ, CF, CG, CI, CM, GA, GN, GQ, GW, KM, ML, MR, NE, SN, TD, TG).

Published:

- *with international search report (Art. 21(3))*
- *before the expiration of the time limit for amending the claims and to be republished in the event of receipt of amendments (Rule 48.2(h))*

(88) Date of publication of the international search report:

13 August 2020 (13.08.2020)

INTERNATIONAL SEARCH REPORT

International application No
PCT/GB2019/053577

A. CLASSIFICATION OF SUBJECT MATTER
INV. F24F6/04 F24F13/20
ADD.
According to International Patent Classification (IPC) or to both national classification and IPC

B. FIELDS SEARCHED
Minimum documentation searched (classification system followed by classification symbols)
F24F
Documentation searched other than minimum documentation to the extent that such documents are included in the fields searched

Electronic data base consulted during the international search (name of data base and, where practicable, search terms used)
EPO-Internal, WPI Data

C. DOCUMENTS CONSIDERED TO BE RELEVANT		
Category*	Citation of document, with indication, where appropriate, of the relevant passages	Relevant to claim No.
X Y	CN 201 103 976 Y (CN) 20 August 2008 (2008-08-20) the whole document	1-6, 10-12 7-9, 13-15
Y	----- JP 2018 054194 A (PANASONIC IP MAN CORP) 5 April 2018 (2018-04-05) figure 2	7,8
Y	----- JP 2010 054190 A (HITACHI APPLIANCES INC) 11 March 2010 (2010-03-11) paragraph [0063]; figure 6	9
Y	----- JP 2010 019445 A (SHARP KK) 28 January 2010 (2010-01-28) figures 1-6	13
	----- -/--	

Further documents are listed in the continuation of Box C.

See patent family annex.

* Special categories of cited documents :

"A" document defining the general state of the art which is not considered to be of particular relevance	"T" later document published after the international filing date or priority date and not in conflict with the application but cited to understand the principle or theory underlying the invention
"E" earlier application or patent but published on or after the international filing date	"X" document of particular relevance; the claimed invention cannot be considered novel or cannot be considered to involve an inventive step when the document is taken alone
"L" document which may throw doubts on priority claim(s) or which is cited to establish the publication date of another citation or other special reason (as specified)	"Y" document of particular relevance; the claimed invention cannot be considered to involve an inventive step when the document is combined with one or more other such documents, such combination being obvious to a person skilled in the art
"O" document referring to an oral disclosure, use, exhibition or other means	"&" document member of the same patent family
"P" document published prior to the international filing date but later than the priority date claimed	

Date of the actual completion of the international search 10 February 2020	Date of mailing of the international search report 01/07/2020
--	---

Name and mailing address of the ISA/ European Patent Office, P.B. 5818 Patentlaan 2 NL - 2280 HV Rijswijk Tel. (+31-70) 340-2040, Fax: (+31-70) 340-3016	Authorized officer Blot, Pierre-Edouard
--	---

INTERNATIONAL SEARCH REPORT

International application No.
PCT/GB2019/053577

Box No. II Observations where certain claims were found unsearchable (Continuation of item 2 of first sheet)

This international search report has not been established in respect of certain claims under Article 17(2)(a) for the following reasons:

1. Claims Nos.:
because they relate to subject matter not required to be searched by this Authority, namely:

2. Claims Nos.:
because they relate to parts of the international application that do not comply with the prescribed requirements to such an extent that no meaningful international search can be carried out, specifically:

3. Claims Nos.:
because they are dependent claims and are not drafted in accordance with the second and third sentences of Rule 6.4(a).

Box No. III Observations where unity of invention is lacking (Continuation of item 3 of first sheet)

This International Searching Authority found multiple inventions in this international application, as follows:

see additional sheet

1. As all required additional search fees were timely paid by the applicant, this international search report covers all searchable claims.
2. As all searchable claims could be searched without effort justifying an additional fees, this Authority did not invite payment of additional fees.
3. As only some of the required additional search fees were timely paid by the applicant, this international search report covers only those claims for which fees were paid, specifically claims Nos.:

4. No required additional search fees were timely paid by the applicant. Consequently, this international search report is restricted to the invention first mentioned in the claims; it is covered by claims Nos.:

1-15

Remark on Protest

- The additional search fees were accompanied by the applicant's protest and, where applicable, the payment of a protest fee.
- The additional search fees were accompanied by the applicant's protest but the applicable protest fee was not paid within the time limit specified in the invitation.
- No protest accompanied the payment of additional search fees.

FURTHER INFORMATION CONTINUED FROM PCT/ISA/ 210

This International Searching Authority found multiple (groups of) inventions in this international application, as follows:

1. claims: 1-15

an air treatment apparatus wherein the water tank assembly comprises a water tank that is provided with a tank opening and a removable tank cap that is arranged to fit over and thereby occlude the tank opening; wherein the water supply system further comprises a water pump for pumping water from the water tank to the moisture source, the water pump being provided on the removable tank cap

2. claims: 16, 17

an air treatment apparatus wherein the water tank assembly comprises a water tank having a plurality of wheels that are disposed on the lower surface of the water tank and that are each arranged to rotate about an axis that is perpendicular to a direction in which the water tank is arranged to be inserted into the cavity

3. claim: 18

an air treatment apparatus wherein the water tank of the water tank assembly comprises water tank having a tank handle that is arranged to be held by the user when lifting the water tank; and wherein the tank handle is pivotally attached to the water tank and is arranged to rotate between a first configuration in which the tank handle is stowed adjacent to the upper surface of the water tank and a second configuration in which the tank handle projects away from the upper surface of the water tank

4. claims: 19-21

an air treatment apparatus wherein the water tank assembly comprises a water tank, and a tank-to-body connector that is disposed on the water tank assembly and that is arranged to separably connect to a corresponding body-to-tank connector provided on the body of the air treatment apparatus and through which water is conveyed from the water tank to the body of the air treatment apparatus; and wherein one of the tank-to-body connector and the body-to-tank connector is biased towards the other of the tank-to-body connector and the body-to-tank connector

INTERNATIONAL SEARCH REPORT

International application No
PCT/GB2019/053577

C(Continuation). DOCUMENTS CONSIDERED TO BE RELEVANT		
Category*	Citation of document, with indication, where appropriate, of the relevant passages	Relevant to claim No.
Y	JP 2014 066448 A (SHARP KK) 17 April 2014 (2014-04-17) figures 7-10	14,15
X	----- US 6 244 576 B1 (TSAI KUO LUNG [TW]) 12 June 2001 (2001-06-12) the whole document -----	1

INTERNATIONAL SEARCH REPORT

Information on patent family members

International application No PCT/GB2019/053577

Patent document cited in search report	Publication date	Publication date	Patent family member(s)	Publication date
CN 201103976	Y	20-08-2008	NONE	

JP 2018054194	A	05-04-2018	NONE	

JP 2010054190	A	11-03-2010	CN 101639250 A	03-02-2010
			JP 5286188 B2	11-09-2013
			JP 2010054190 A	11-03-2010

JP 2010019445	A	28-01-2010	JP 5241352 B2	17-07-2013
			JP 2010019445 A	28-01-2010

JP 2014066448	A	17-04-2014	JP 6076014 B2	08-02-2017
			JP 2014066448 A	17-04-2014

US 6244576	B1	12-06-2001	NONE	
