



US00D368234S

# United States Patent [19]

[11] Patent Number: **Des. 368,234**

Dickinson et al.

[45] Date of Patent: **\*\*Mar. 26, 1996**

[54] **FLOWER POT**

[75] Inventors: **Thomas Dickinson; Bradley D. Gale,**  
both of St. Louis, Mo.

[73] Assignee: **Cotico International, Inc.,** St. Louis,  
Mo.

[\*\*] Term: **14 Years**

[21] Appl. No.: **31,754**

[22] Filed: **Dec. 5, 1994**

[52] U.S. Cl. .... **D11/152; D7/523**

[58] Field of Search ..... **D11/143, 152;**  
**D7/509, 523; D9/500, 503, 504; 47/66;**  
**220/672; 229/400**

[56] **References Cited**

**U.S. PATENT DOCUMENTS**

- D. 20,335 11/1890 Whilldin .
- D. 42,400 4/1912 Simons .
- D. 118,230 12/1939 Fader .
- D. 137,049 1/1944 Hill .
- D. 137,050 1/1944 Hill .
- D. 198,040 4/1964 Bonham et al. .
- D. 199,336 10/1964 Wanderer .
- D. 202,507 10/1965 Shelby ..... D9/500 X
- D. 209,312 11/1967 Schilling ..... D7/523
- D. 242,161 11/1976 Dziejwulski .
- D. 243,390 2/1977 Mastrianni .
- D. 245,643 8/1977 Orfei .
- D. 252,869 9/1979 Dziejwulski .
- D. 265,387 7/1982 Natrass .
- D. 266,690 10/1982 Levin .
- D. 273,651 5/1984 Emrick ..... D7/523
- D. 298,222 10/1988 Hobson .
- D. 313,203 12/1990 Carlson .
- 314,682 3/1885 Kaiser .
- D. 319,199 8/1991 Lomeli .
- D. 320,763 10/1991 Lomeli .
- D. 322,047 12/1991 Wolfenden .
- D. 322,946 1/1992 Claridge .
- D. 324,005 2/1992 Grosfillex .
- D. 325,544 4/1992 Foret .

- D. 329,406 9/1992 Grosfillex .
- D. 331,549 12/1992 Embree .
- D. 331,727 12/1992 Grosfillex .
- D. 337,187 7/1993 Hampshire ..... D7/509 X
- D. 338,377 8/1993 Scott, Jr. et al. .
- D. 338,811 8/1993 Scott, Jr. et al. .
- D. 340,169 10/1993 Scott, Jr. et al. .
- D. 340,204 10/1993 Grosfillex .
- D. 340,674 10/1993 Carlson ..... D11/152
- 2,550,602 4/1951 Rothe .
- 2,802,304 8/1957 Hille .
- 3,009,603 11/1961 Stockdale ..... D11/152 X
- 3,058,263 10/1962 Reynolds .
- 3,220,144 11/1965 Green .
- 3,676,953 7/1972 Delogne .
- 3,769,056 10/1973 Sincok ..... D7/523 X
- 3,896,587 7/1975 Insalaco ..... D11/152 X
- 3,906,666 9/1975 Daenen et al. .
- 4,315,382 2/1982 Kay et al. .
- 4,420,081 12/1983 Dart ..... 229/400 X
- 4,434,577 3/1984 Holtkamp .
- 4,912,875 4/1990 Tardif .
- 5,042,197 8/1991 Pope .

**OTHER PUBLICATIONS**

"Garden Scene, Quality Planterware" catalog, Dura Cotta® Planters, pp. 20-21.

*Primary Examiner*—Alan P. Douglas  
*Assistant Examiner*—Cathron B. Matta  
*Attorney, Agent, or Firm*—Rogers, Howell & Haferkamp

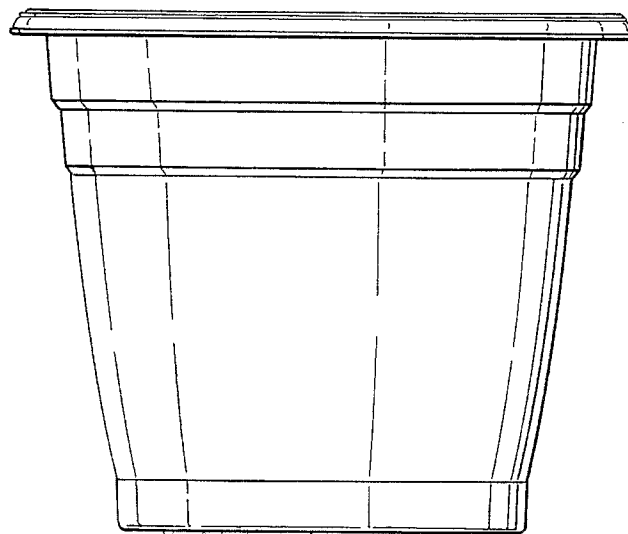
[57] **CLAIM**

The ornamental design for a flower pot, as shown and described.

**DESCRIPTION**

FIG. 1 is a perspective view of a flower pot showing one embodiment of my new design;  
FIG. 2 is a top, plan view of FIG. 1;  
FIG. 3 is a side, elevational view of FIG. 1; and,  
FIG. 4 is a bottom, plan view of FIG. 1.

**1 Claim, 4 Drawing Sheets**



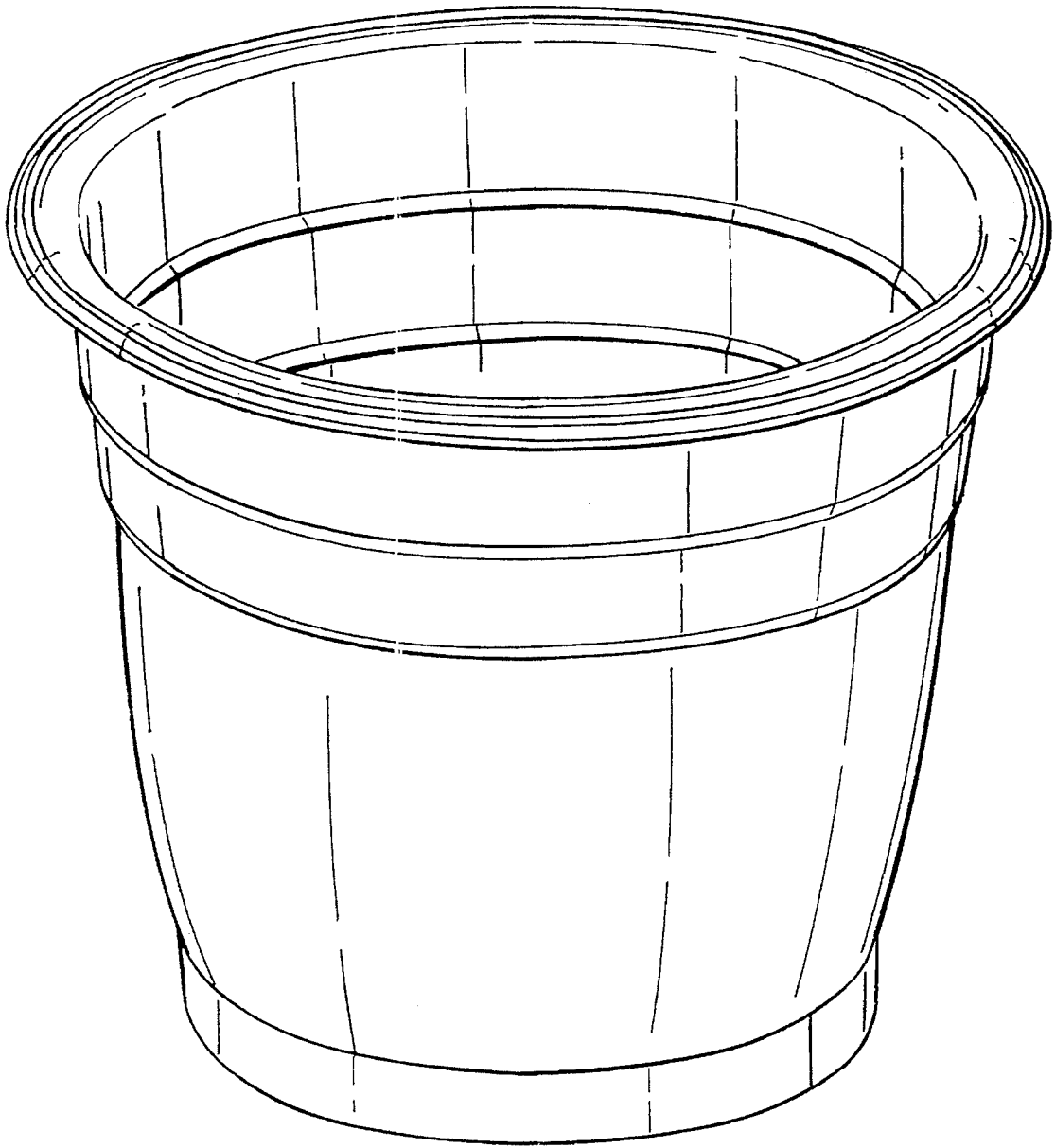


FIG. 1.

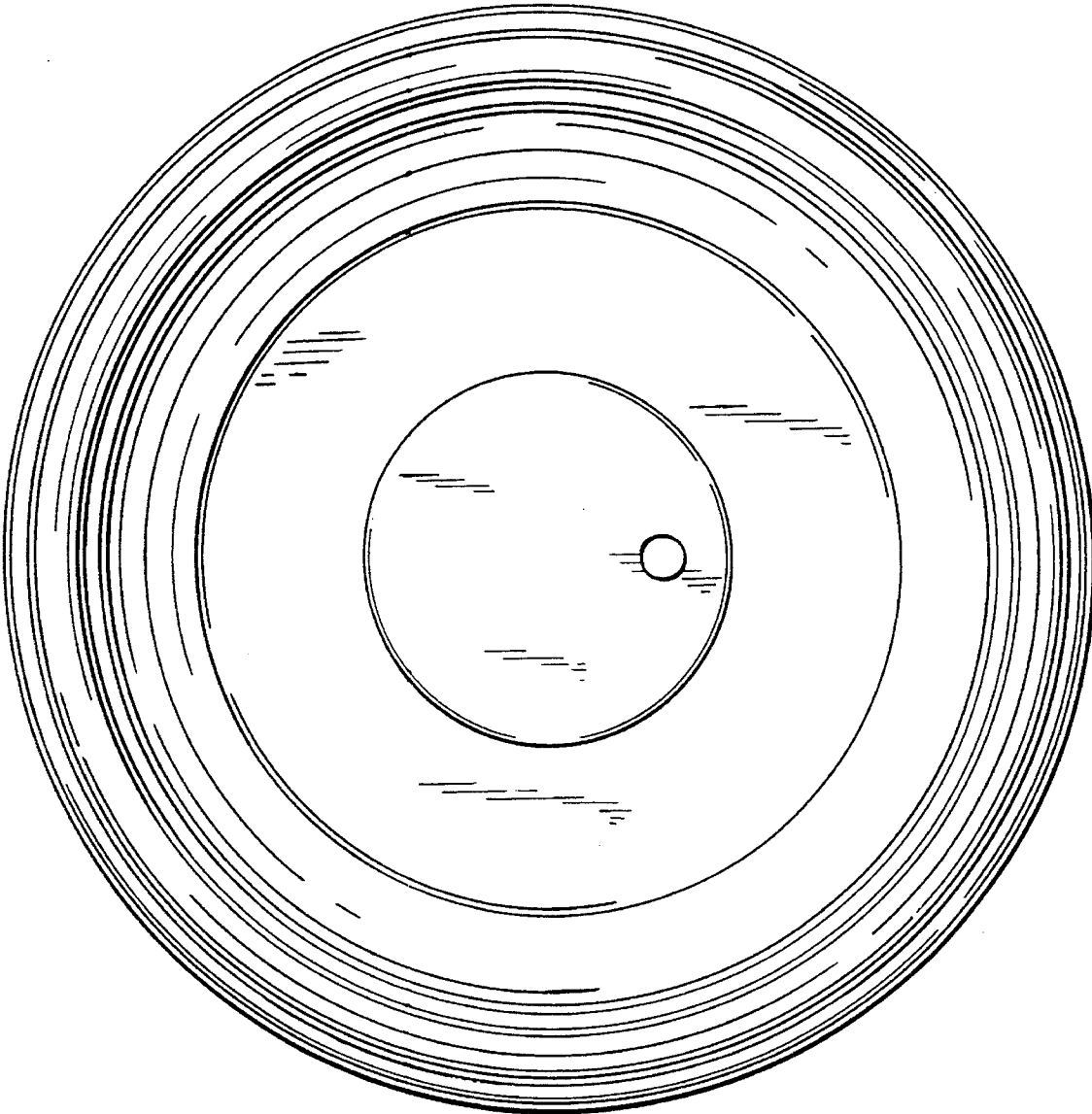


FIG. 2.

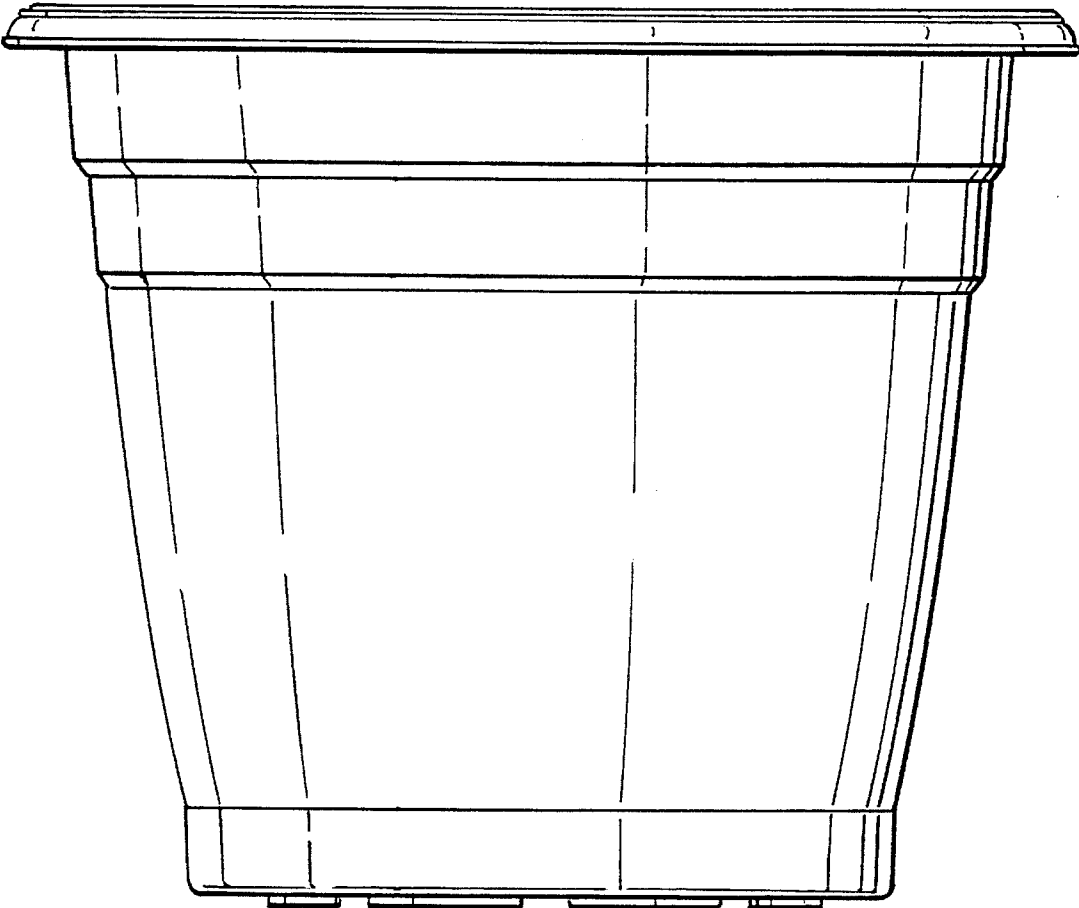


FIG. 3.

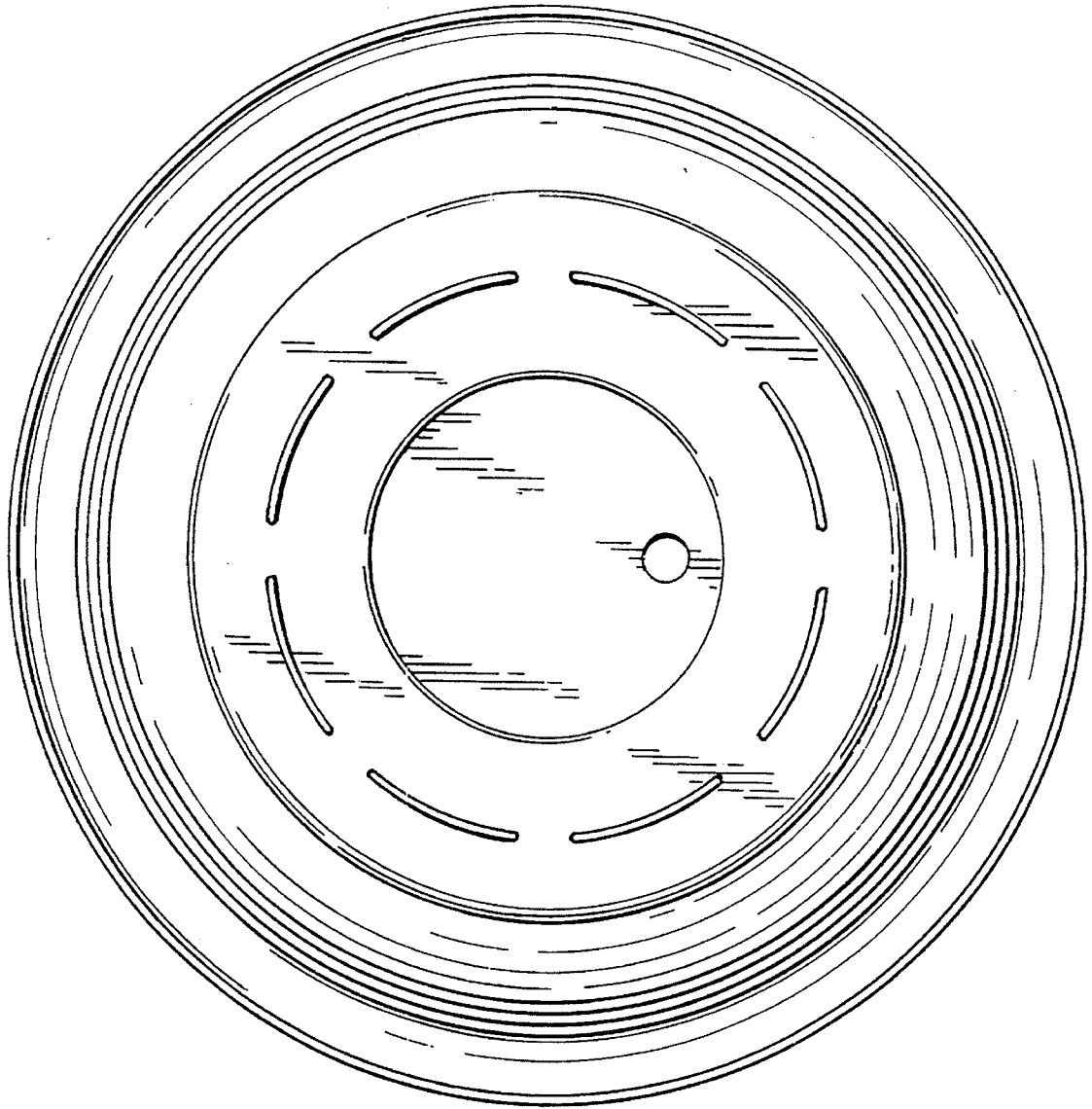


FIG. 4.